

Table with 3 columns: PART NUMBER, REV, FIRST USED. Lists part numbers like 466433-1 and their revision and first used status.

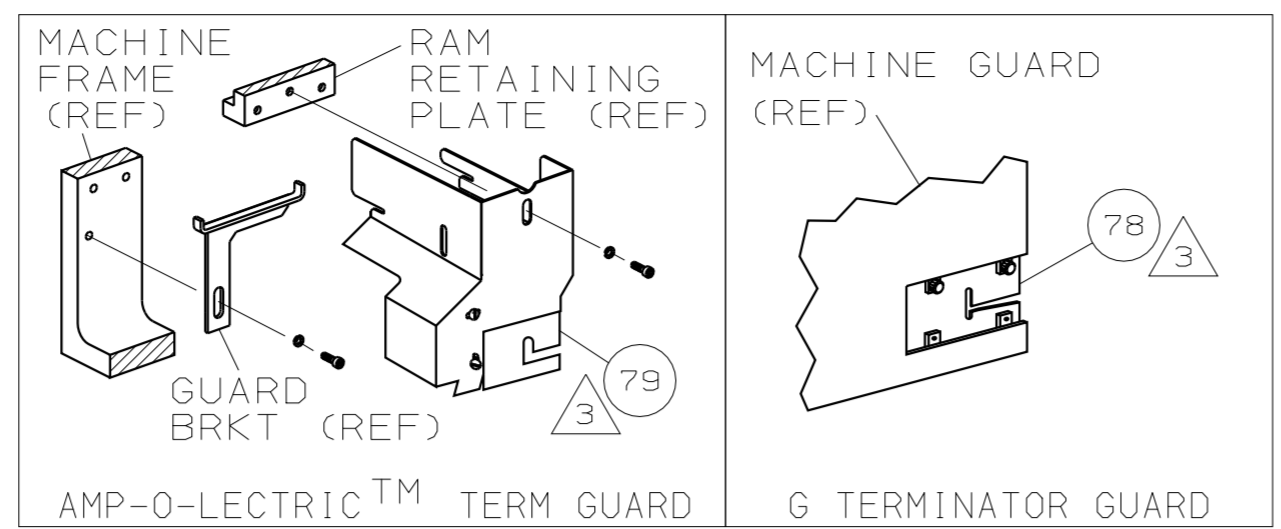
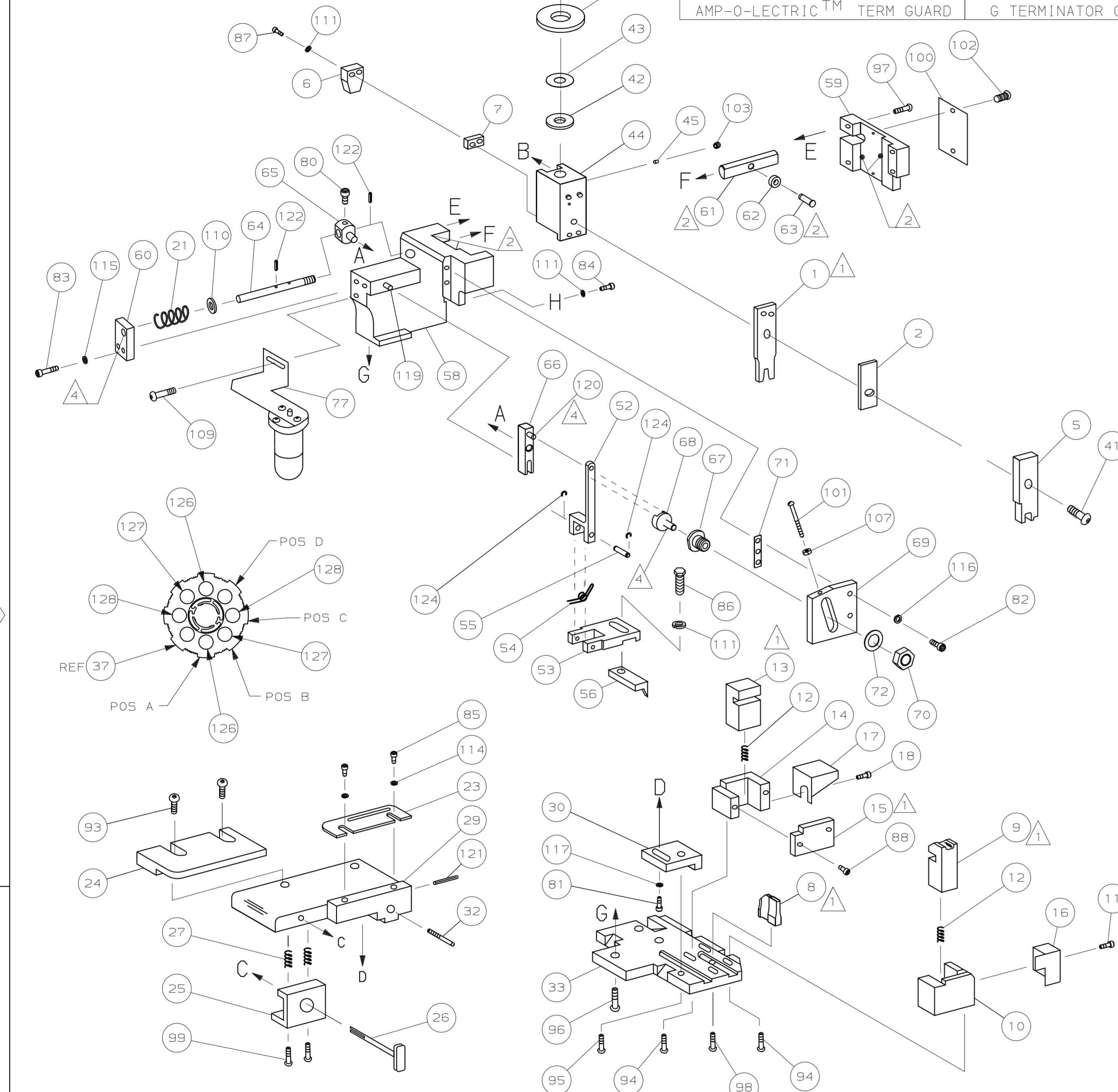
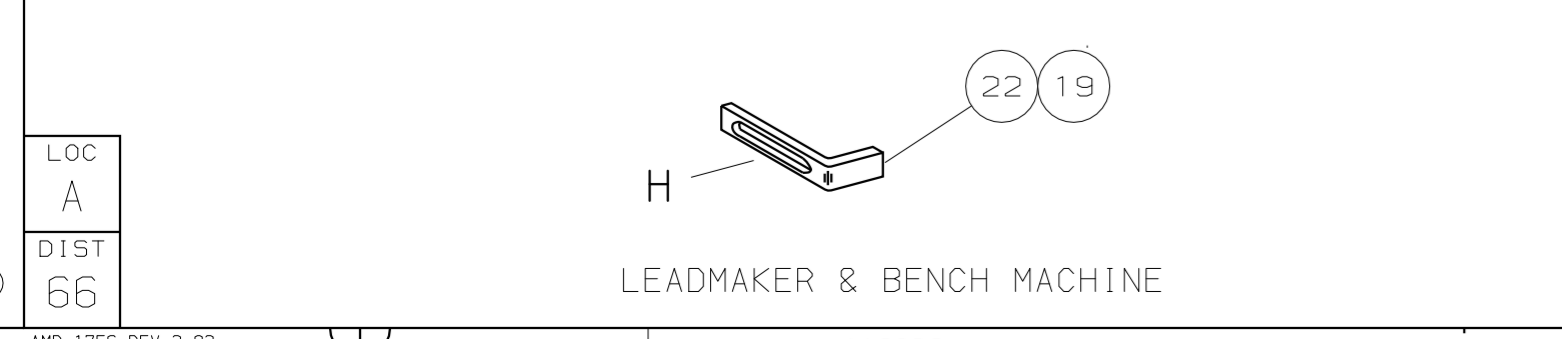
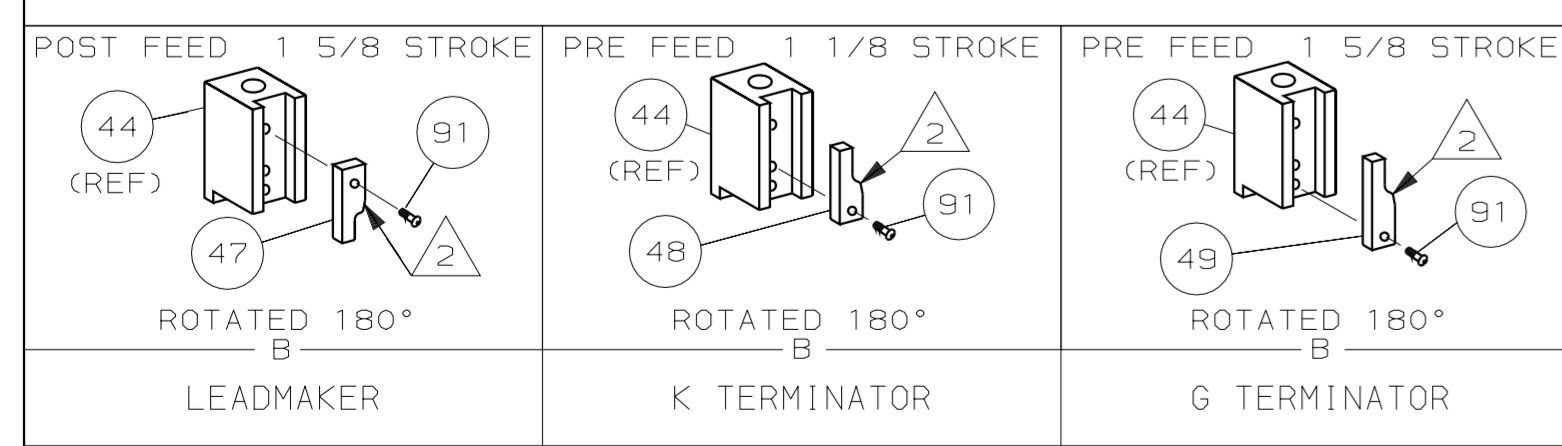


Table for CRIMPING DATA. Columns include PAD LTR, CRIMP HEIGHT, WIRE SIZE, CRIMP, SIZE, TYPE, RANGE. It specifies parameters for wire sizes 10, 12, and 14, and a crimp height of 0.115 ± 0.002.

Main parts list table with columns for QTY, REF, PART NO, DESCRIPTION, ITEM NO. Lists various components like PIN, WIRE DISC, WASHER, SPRING, and various screws and nuts.

Large parts list table with columns for QTY, REF, PART NO, DESCRIPTION, ITEM NO. Lists a wide variety of components including leadmaker, bench models, various pins, springs, and guides.



- 1 RECOMMENDED SPARE PARTS.
2 GREASE LIGHTLY.
3 GUARD MUST BE IN PLACE WHEN OPERATING APPLICATOR IN A BENCH MACHINE.
4 LUBRICATE DAILY USING NO. 20 MACHINE OIL.
5. ITEMS WITH QTY OF REF SPECIFIED (EXCEPT ITEMS 78 AND 79) ARE USED ON ITEM 46.
6 LUBRICATION REQUIRED WITH NICKEL PLATED TERMINALS.
7 MAX CMA 9600.

THIS DRAWING IS A CONTROLLED DOCUMENT.

RELEASED FOR PUBLICATION JUN 28, 1995 BY AMP INCORPORATED. ALL RIGHTS RESERVED.

466433

D

C

B

A