

4

3

2

1

THIS DRAWING IS UNPUBLISHED.

RELEASED FOR PUBLICATION

,1998 .

© COPYRIGHT 1999

BY AMP KOREA.

ALL RIGHTS RESERVED.

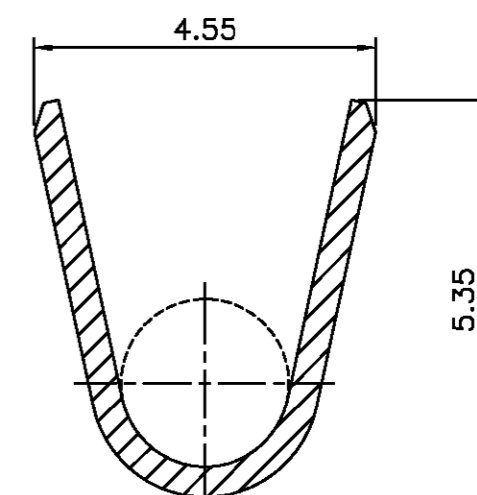
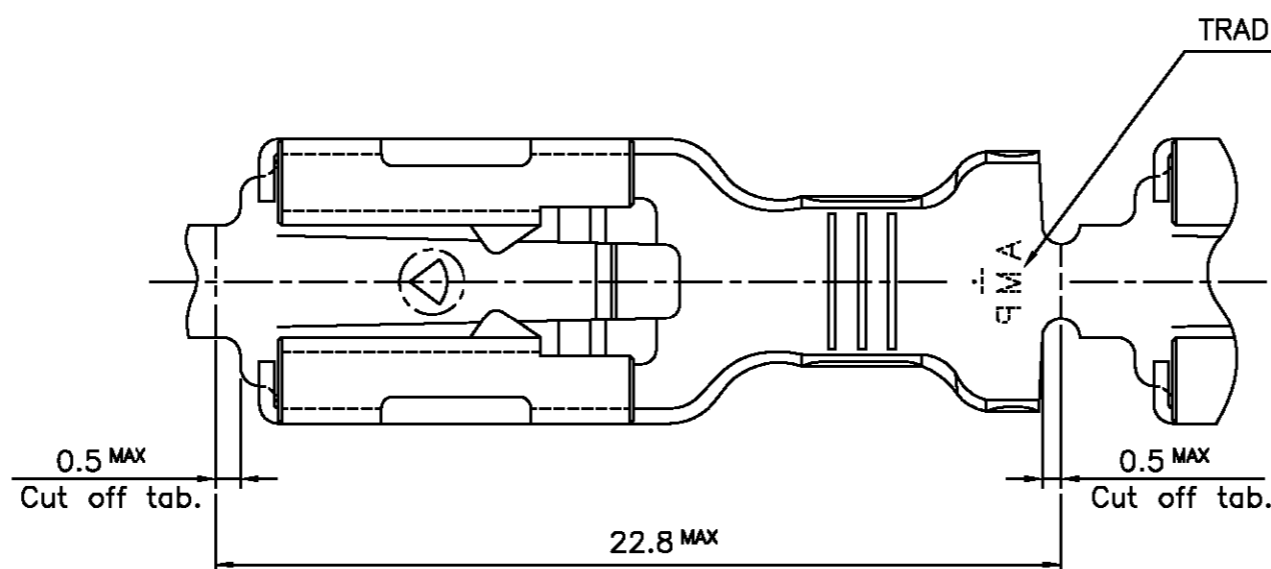
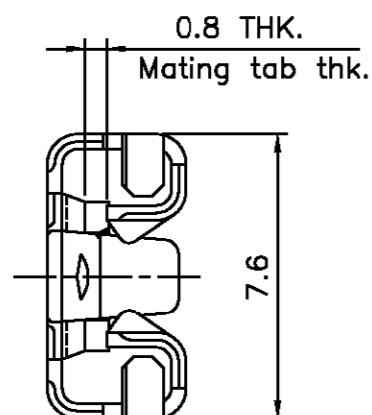
LOC DS

DIST

REVISIONS

P	LTR	DESCRIPTION	DATE	DWN	APVD
A		REDRAWN W/CHANGE FC00-0053-99	07.MAY'99	YM	CS

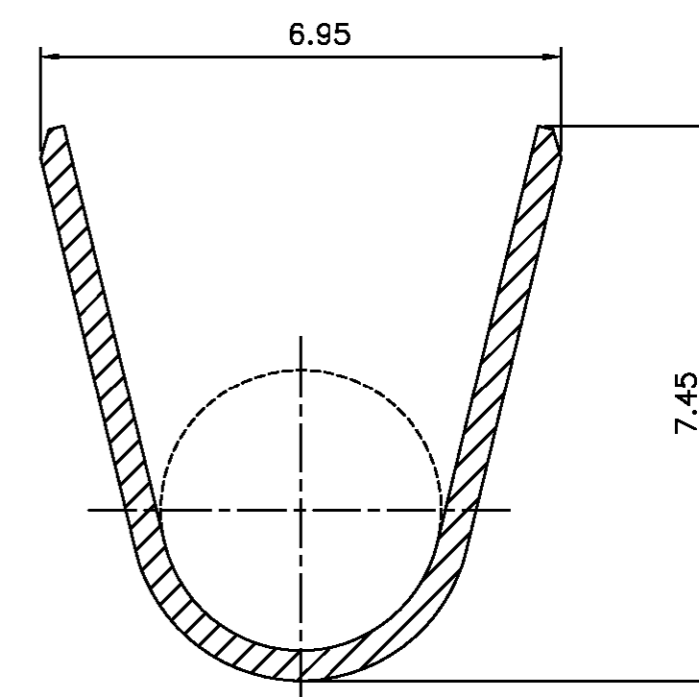
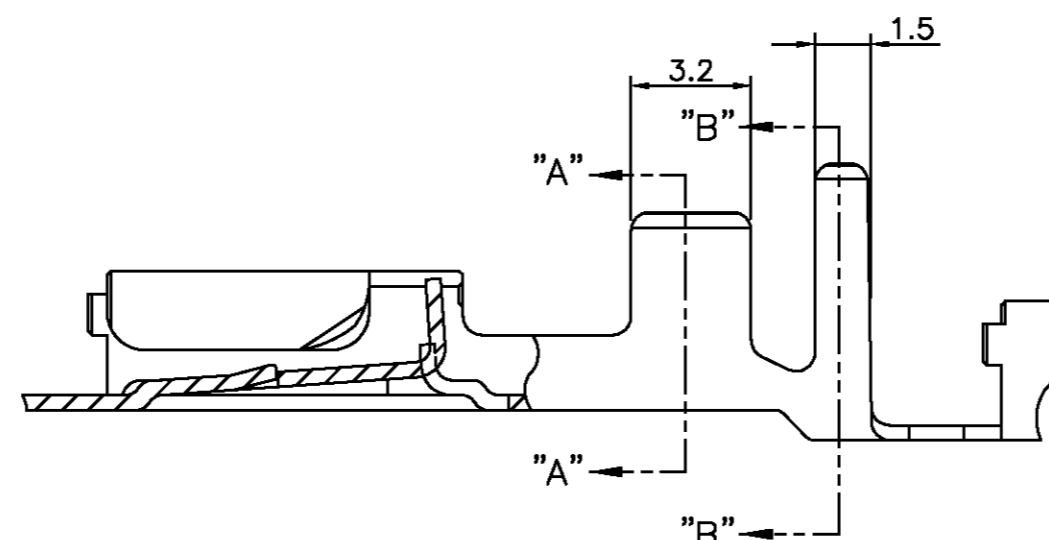
D



SECTION "A-A"  
Scale 10/1

C

B



SECTION "B-B"  
Scale 10/1

\* NOTES;

- 1 WIRE SIZE EQUIV AVS 3.08 ~5.27 Sqmm.
- 2 INSULATION DIA RANGE 3.6 ~5.0 mm.

85070 -2  
PART NUMBER

THIS DRAWING IS CONTROLLED DOCUMENT FOR AMP INCORPORATED. IT IS SUBJECT TO CHANGE AND THE CONTROLLING ENGINEERING ORGANIZATION SHOULD BE CONTACTED FOR THE LATEST REVISION.		DWN	<b>AMP</b> AMP KOREA. kyungsan, korea		
DIMENSIONS: MM		CHK			
		APVD	NAME		
		PRODUCT SPEC 108-5164	.250 AUTOMOTIVE POSITIVE LOCK REC		
TOLERANCES UNLESS OTHERWISE SPECIFIED: 0 <XX<10 ± 0.2 10 <XX<30 ± 0.25 30 <XX<100 ± 0.3 ANGLES ± 3°		APPLICATION SPEC 114-5060	SIZE	CAGE CODE	DRAWING NO
MATERIAL TKLF-5Z 0.4THK.	FINISH PRE-TINNED	WEIGHT	A3	00779	C= 8 5 0 7 0
			SCALE 5/1	SHEET 1 OF 1	REV A