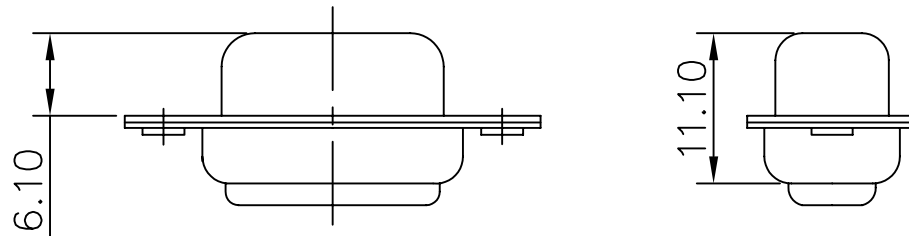
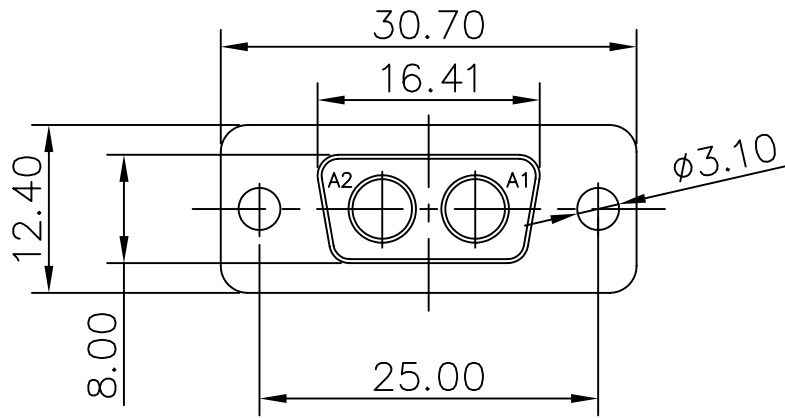


This document is the property of Amphenol Corporation and is delivered on the express condition that it is not to be disclosed, reproduced or used, in whole or in part, for manufacture or sale by anyone other than Amphenol Corporation without its prior consent, & that no right is granted to disclose or to use any information in this document.



Customer Drawing

REVISIONS				
SYM	ECN	DESCRIPTION	DATE	APPROVED
1		New release	05/06/09	IP

D-SUB TECHNICAL DATA

SHELL :Steel 2.5um(100u") min tin over 1.25um(50u") min nickel

BODY : Glass filled thermoplastic.

Flame retardant to UL94 V-0

Color Black

ELECTRICAL : Voltage rating 300 V RMS at 50 Hz

Withstanding Voltage >1000 V RMS at 50 Hz for one minute

Insulation resistance >5000 M Ohms

CLIMATIC : Temperature range -55 °C up to 155°C

Damp heat 56 days(40 °C-95% HR)

MARKING : Amphenol...(Series No.)

Commercial reference

Manufacturing date

PRODUCT CODE

L 77TW E 2W2 S

L: RoHS Compliance

77TW: Tin plated shell

Shell Size :E

Contact type:
S=female

Configuration: 2W2

UNLESS OTHERWISE SPECIFIED TOLERANCES U.S. METRIC .X +/- 0.50 .XX +/- 0.30 .XXX +/- 0.20 FRACTIONS +/- ANGLES +/- 2'	APPROVAL		DATE
	DRAWN	Christine	05/06/09
	CHECKED	Mk.wang	05/06/09
	CHECKED		
FOR MATERIALS AND FINISHES SEE NOTES	DRAWING FILE :		
REMOVE SHARP EDGES	ANGLE OF PROJECTION		
DIMENSIONS			
U.S. INCHES			
METRIC MM			

Amphenol®

TITLE
Hybrid connector, TW series

SIZE	DRAWING NO.	REV.
A4	C L77TWE2W2S	1
SCALE	NONE	SHEET 1 OF 1