

DIMENSIONS IN INCHES (MILLIMETERS)
DO NOT SCALE DRAWING

Dwg. No.
CWR-210-XX-0203

NOTES:

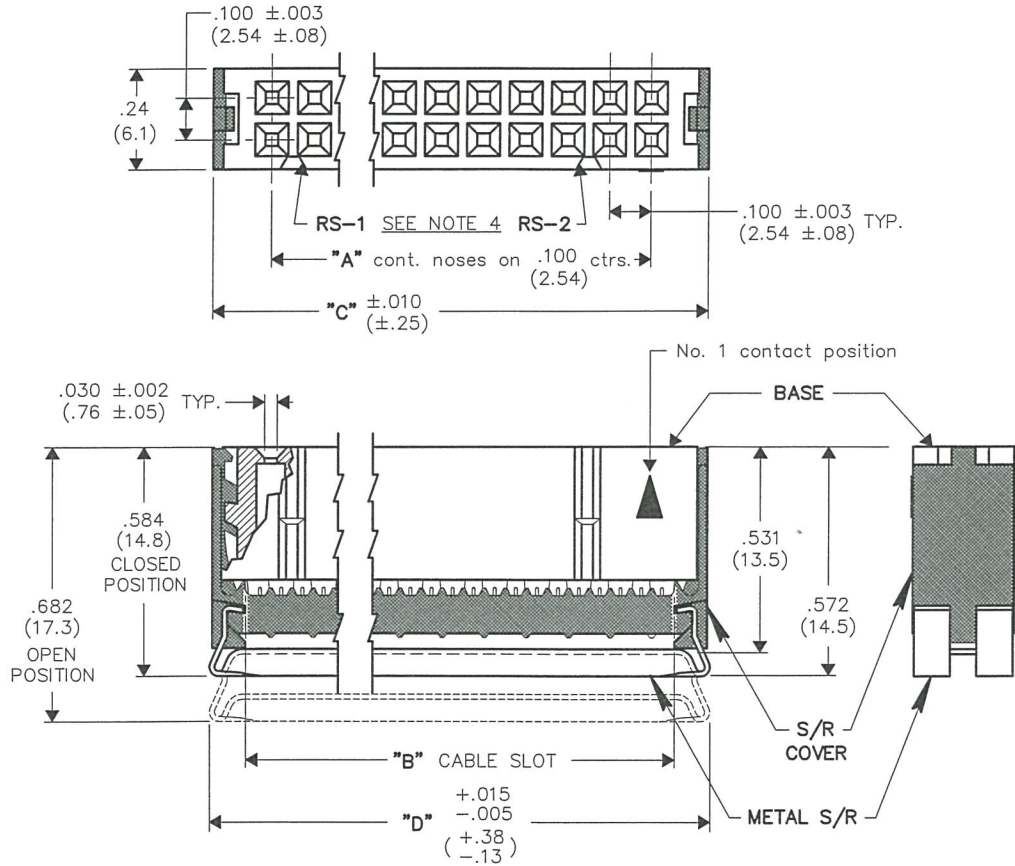
1. Dimensions are in inches; dimensions in () are in millimeters.
2. Metric equivalents are given for general information only, and are based upon 1.00 inches equals (25.4) millimeters.
3. Unless otherwise specified, tolerance are ± 0.005 (± 0.13) for three place decimals, and ± 0.01 (± 0.3) for two place decimals.
4. Polarization rib slot (RS-2) omitted in size 10 and 14 connectors.

MATERIALS:

PLASTIC PARTS - UL94V-0 Flame Retardant Thermoplastic.
COLOR - Blue.
CONTACTS - Phosphor Bronze Alloy.
CONTACT PLATING - .000100 Tin (min.)/.000050 Ni (mni.)
STRAIN RELIEF COVER - Plastic coated (blue) no. 301 Stainless Steel.

OPERATING STANDARDS:

TEMPERATURE RATING - 125°C.
CONTACT RATING - 1 ampere.
DIELECTRIC STRENGTH - Over 500 v.d.c. at sea level.
CONDUCTORS ACCEPTED - 28-30 AWG solid or stranded.



CONNECTOR DIMENSIONS				
XX CONTS.	A	B	C	D
10	.400 (10.16)	.515 (13.08)	.677 (17.20)	.690 (17.53)
14	.600 (15.24)	.715 (18.16)	.877 (22.28)	.890 (22.61)
16	.700 (17.78)	.815 (20.70)	.977 (24.82)	.990 (25.15)
20	.900 (22.86)	1.015 (25.78)	1.177 (29.90)	1.190 (30.23)
26	1.200 (30.48)	1.315 (33.40)	1.477 (37.52)	1.490 (37.85)
34	1.600 (40.64)	1.715 (43.56)	1.877 (47.68)	1.890 (48.01)
40	1.900 (48.26)	2.015 (51.18)	2.177 (55.30)	2.190 (55.63)
50	2.400 (60.96)	2.515 (63.88)	2.677 (68.00)	2.690 (68.33)
60	2.900 (73.66)	3.015 (76.58)	3.177 (80.70)	3.190 (81.03)

CUSTOMER DWG.

FORM-B2
REVISIONS
0
RELEASED.
DCW 9-18-2006
SEP 25 2006

ATTENTION
THIS DRAWING AND ITS ATTACHMENTS, IF ANY, ARE PROPRIETARY TO CW INDUSTRIES AND DESCRIBE DESIGNS THAT ARE CONFIDENTIAL AND MUST NOT BE DISCLOSED UNLESS AUTHORIZED, IN WRITING, BY AN OFFICER OF CW INDUSTRIES.....

CW INDUSTRIES
Southampton, Pa. 18966
TOLERANCES UNLESS OTHERWISE SPECIFIED
2 Place Decimal ± 0.10 METRIC
3 Place Decimal ± 0.005 1 Place Dec. ± 0.25 mm
Angles $\pm 1^\circ$ 2 Place Dec. ± 0.13 mm
Made for: CW IND.
Drawn by: DGW 9-18-2006
Checked by: G. Guld 9-25-06
Approval: [Signature] 9-25-06

Title: **SOCKET CONNECTOR**
.100" x .100" CENTERS
(.050" CENTER FLAT CABLE)
PLASTIC COVER - METAL S/R
NO KEYING
Division: **CONNECTOR**
Dwg. No. **CWR-210-XX-0203**

MASTER