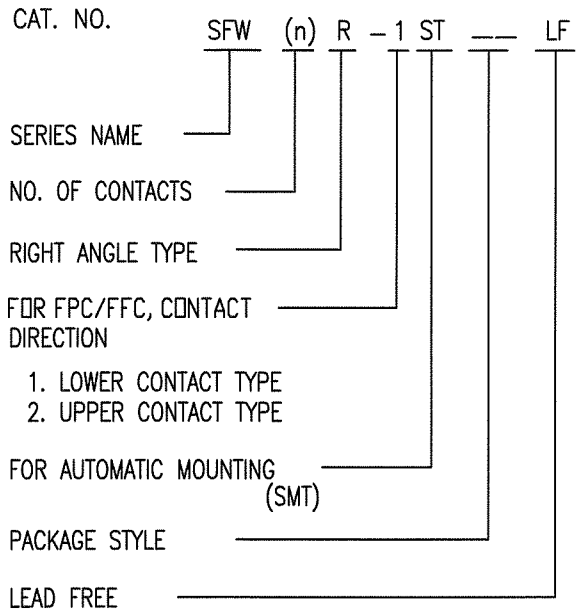


CAT. NO. & DIMENSIONS

NO. OF CONTACTS (n)	CAT. NO.	DIMENSIONS (NOTE2)			
		A ± 0.2	B ± 0.2	C ± 0.2	D ± 0.1
4	SFW4R-1/2ST__LF	9.8	8.6	3.0	5.3
5	SFW5R-1/2ST__LF	10.8	9.6	4.0	6.3
6	SFW6R-1/2ST__LF	11.8	10.6	5.0	7.3
7	SFW7R-1/2ST__LF	12.8	11.6	6.0	8.3
8	SFW8R-1/2ST__LF	13.8	12.6	7.0	9.3
9	SFW9R-1/2ST__LF	14.8	13.6	8.0	10.3
10	SFW10R-1/2ST__LF	15.8	14.6	9.0	11.3
11	SFW11R-1/2ST__LF	16.8	15.6	10.0	12.3
12	SFW12R-1/2ST__LF	17.8	16.6	11.0	13.3
13	SFW13R-1/2ST__LF	18.8	17.6	12.0	14.3
14	SFW14R-1/2ST__LF	19.8	18.6	13.0	15.3
15	SFW15R-1/2ST__LF	20.8	19.6	14.0	16.3
16	SFW16R-1/2ST__LF	21.8	20.6	15.0	17.3
17	SFW17R-1/2ST__LF	22.8	21.6	16.0	18.3
18	SFW18R-1/2ST__LF	23.8	22.6	17.0	19.3
19	SFW19R-1/2ST__LF	24.8	23.6	18.0	20.3
20	SFW20R-1/2ST__LF	25.8	24.6	19.0	21.3
21	SFW21R-1/2ST__LF	26.8	25.6	20.0	22.3
22	SFW22R-1/2ST__LF	27.8	26.6	21.0	23.3
23	SFW23R-1/2ST__LF	28.8	27.6	22.0	24.3
24	SFW24R-1/2ST__LF	29.8	28.6	23.0	25.3
25	SFW25R-1/2ST__LF	30.8	29.6	24.0	26.3
26	SFW26R-1/2ST__LF	31.8	30.6	25.0	27.3
27	SFW27R-1/2ST__LF	32.8	31.6	26.0	28.3
28	SFW28R-1/2ST__LF	33.8	32.6	27.0	29.3
29	SFW29R-1/2ST__LF	34.8	33.6	28.0	30.3
30	SFW30R-1/2ST__LF	35.8	34.6	29.0	31.3



NOTES

1. THIS PRODUCT IS THE CONNECTOR USED FOR FPC/FFC AND COPES WITH AUTOMATIC MOUNTING (SMT).
2. SEE PART DRAWINGS FOR DIMENSIONS A~D.

mat'l. code -		surface 58 / ISO 1302		tolerance ISO 406 / ISO 1101		projection		product family 58RF		CODE JP	
ltr		ecn no		dr		date		title		CAT. NO. TABLE FOR 1mm SPACING SMT CONNECTOR (Cat. No. SFW__R-1/2ST__LF)	
c				angles		linear		mm		scale X	
		dr		M.YAMASHITA		2007-10-27		dwg no		sheet 2 of 9	
		enrg		M.YAMASHITA		2009-10-27		10100522		A4	
		chr		S. Nishimura		2009-10-27		type		Product Customer Drawing	
		appd		S. Oda		2009-10-27					
sheet index		revision sheet								Rev. C	



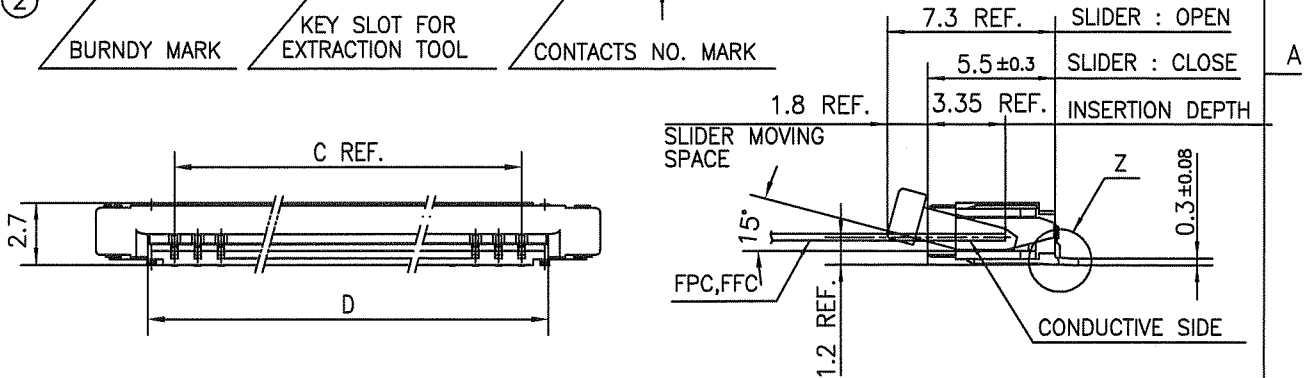
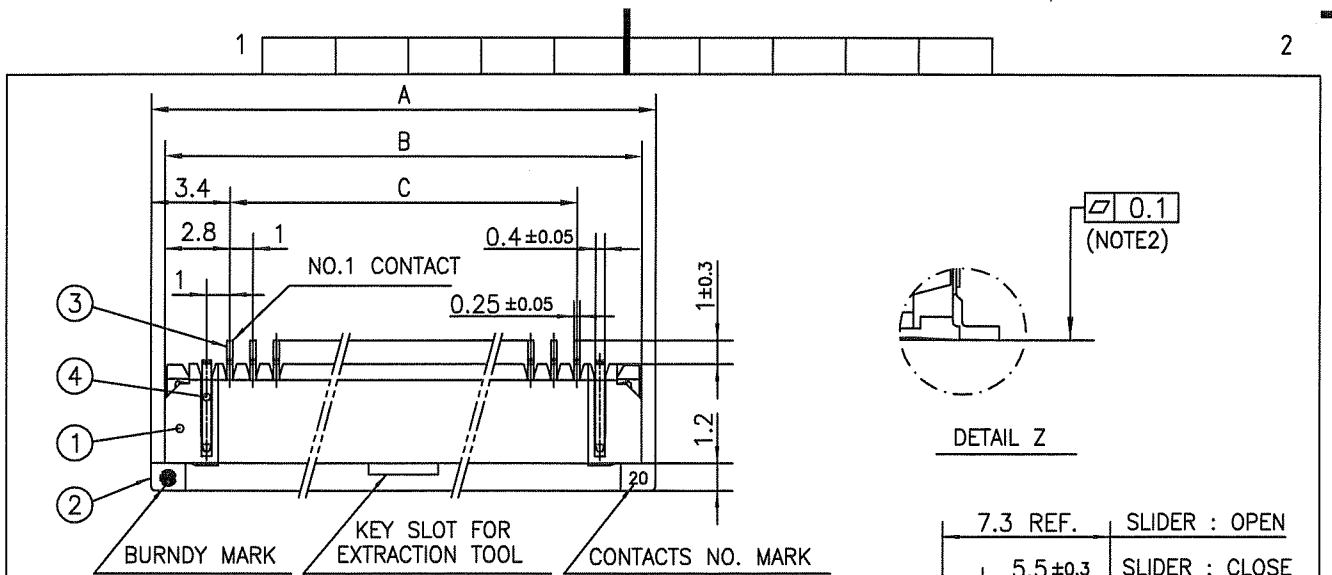
FCIconnect.com

Copyright FCI.



D

D



PT. NO.	PARTS NAME	MATERIAL	Q'TY	NOTE
1	HOUSING	PPS RESIN GLASS REINFORCED (UL94V-0)	1	COLOR : BROWN
2	SLIDER		1	COLOR : BLACK
3	CONTACT	PHOSPHOR BRONZE	n	PLATING : TIN
4	MOUNTING PLATE		2	

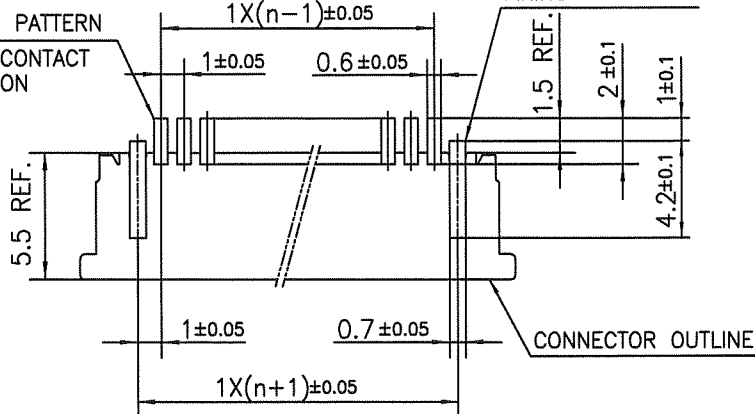
n : NO. OF CONTACTS

NOTES

RECOMMENDED PC BOARD LAYOUT
(COMPONENT SIDE)

BASIC PATTERN

NO.1 CONTACT POSITION



PATTERN FOR MOUNTING PLATE FIXING

1. THIS PRODUCT IS THE CONNECTOR USED FOR FPC/FFC AND COPES WITH AUTOMATIC MOUNTING (SMT).
2. FLATNESS FOR CONTACT TERMINAL HOUSING MUST BE WITHIN TOLERANCE IN Z PORTION DETAILED DRAWING.
3. THIS PRODUCT IS LOWER CONTACT TYPE CONNECTOR.
4. THIS PRODUCT MEETS EUROPEAN UNION DIRECTIVES AND OTHER COUNTRY REGULATIONS AS DESCRIBED IN GS-22-008
5. THE HOUSING WILL WITHSTAND EXPOSURE TO 260°C PEAK TEMPERATURE FOR 10 SECONDS IN A REFLOW SOLDERING OVEN.

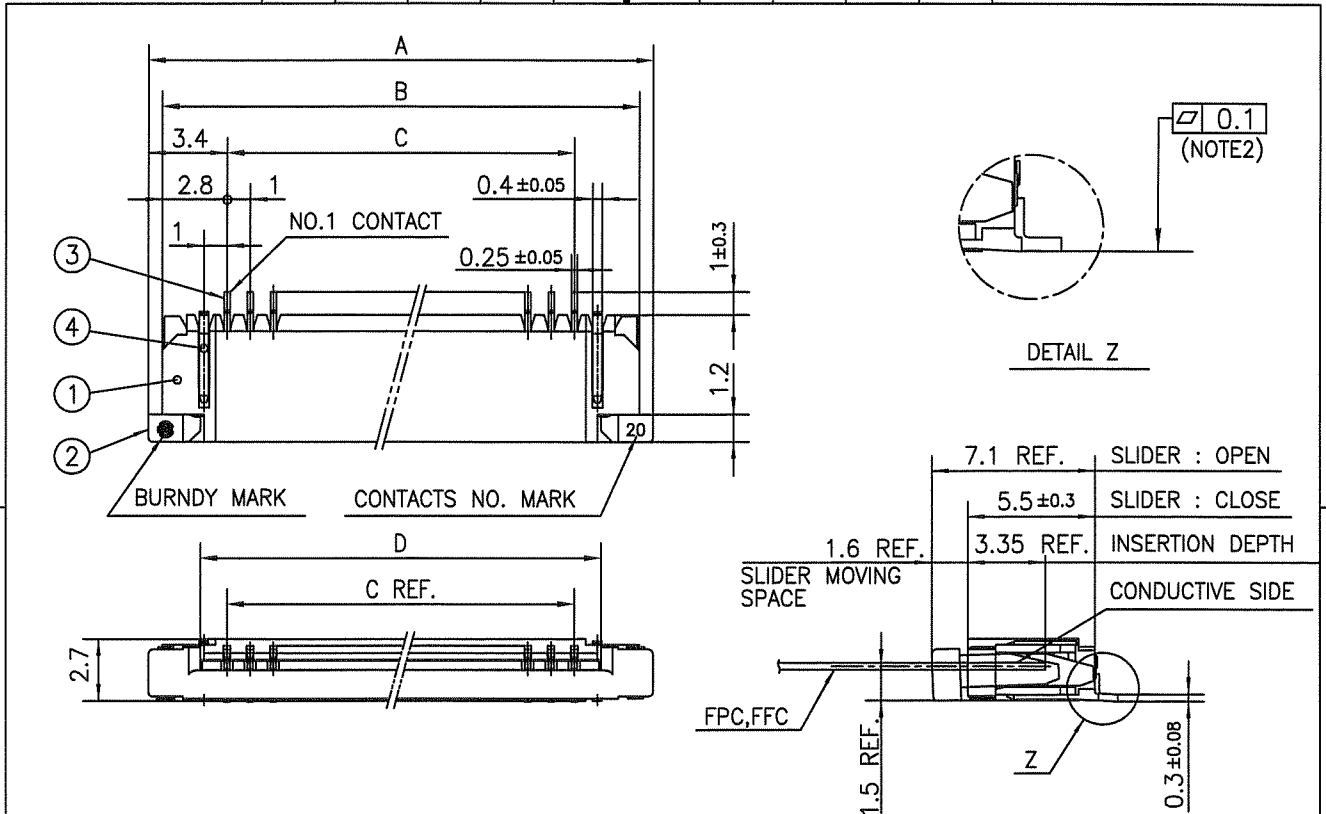
mat'l. code		surface 58 / tolerance ISO 1302 / ISO 406 / ISO 1101		projection		product family 58RF		CODE JP	
ltr		ecn no		dr		date		title	
C								1mm SPACING SMT CONNECTOR (Cat. No. SFW__R-1ST__LF)	
		angles		linear ±0.2		mm		scale X	
		dr		M.YAMASAKI 2009-10-27		engr		M.YAMASAKI 2009-10-27	
		chr		S. WILKINSON 2009-10-27		appd		S. OGDON 2009-10-27	
sheet index		revision sheet						dwg no 10100522	
								sheet 3 of 9 size A4	
								type Product Customer Drawing	
								Rev. C	



FCIconnect.com

Copyright FCI.

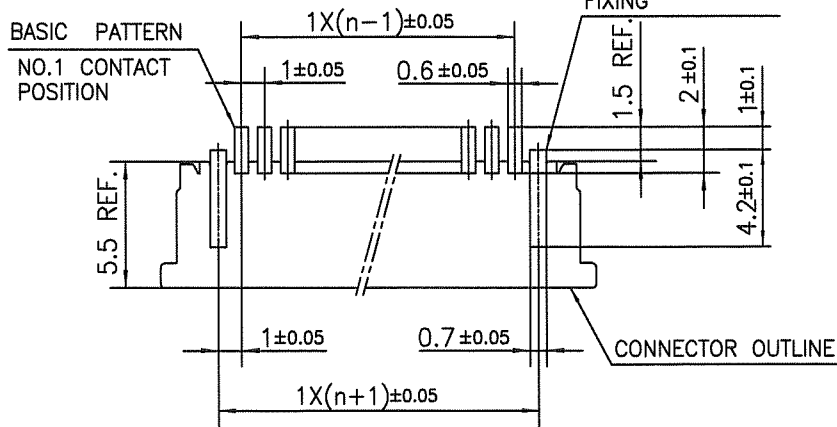




PT. NO.	PARTS NAME	MATERIAL	Q'TY	NOTE
1	HOUSING	PPS RESIN GLASS REINFORCED (UL94V-0)	1	COLOR : BROWN
2	SLIDER		1	COLOR : BLACK
3	CONTACT	PHOSPHOR BRONZE	n	PLATING : TIN
4	MOUNTING PLATE		2	

n : NO. OF CONTACTS

RECOMMENDED PC BOARD LAYOUT (COMPONENT SIDE)



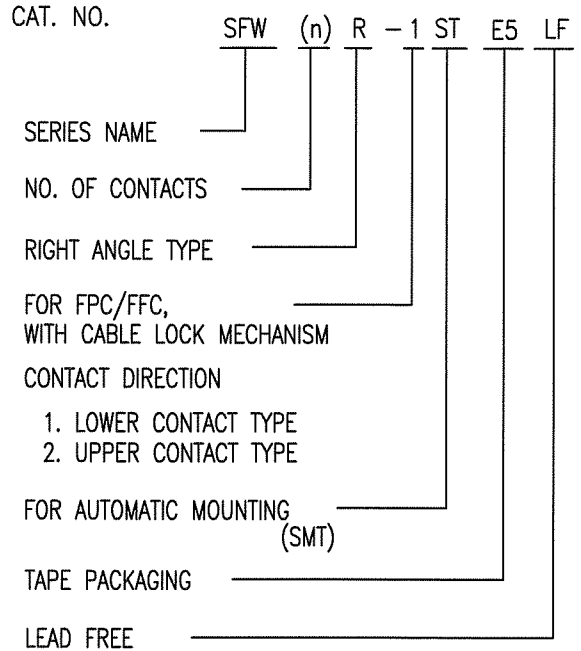
NOTES

1. THIS PRODUCT IS THE CONNECTOR USED FOR FPC/FFC AND COPES WITH AUTOMATIC MOUNTING (SMT).
2. FLATNESS FOR CONTACT TERMINAL HOUSING MUST BE WITHIN TOLERANCE IN Z PORTION DETAILED DRAWING.
3. THIS PRODUCT IS UPPER CONTACT TYPE CONNECTOR.
4. THIS PRODUCT MEETS EUROPEAN UNION DIRECTIVES AND OTHER?COUNTRY REGULATIONS AS DESCRIBED IN GS-22-008
5. THE HOUSING WILL WITHSTAND EXPOSURE TO 260°C PEAK TEMPERATURE FOR 10 SECONDS IN A REFLOW SOLDERING OVEN.

mat'l. code		surface 58 / tolerance ISO 1302		tolerance ISO 406 / ISO 1101		projection		product family 58RF		CODE JP	
ltr		ecn no		dr		date		title		1mm SPACING SMT CONNECTOR (Cat. No. SFW__R-2ST__LF)	
C								dwg no		sheet 4 of 9 size A4	
								10100522			
sheet index		revision sheet						type Product Customer Drawing		Rev. C	

CAT. NO. & DIMENSIONS

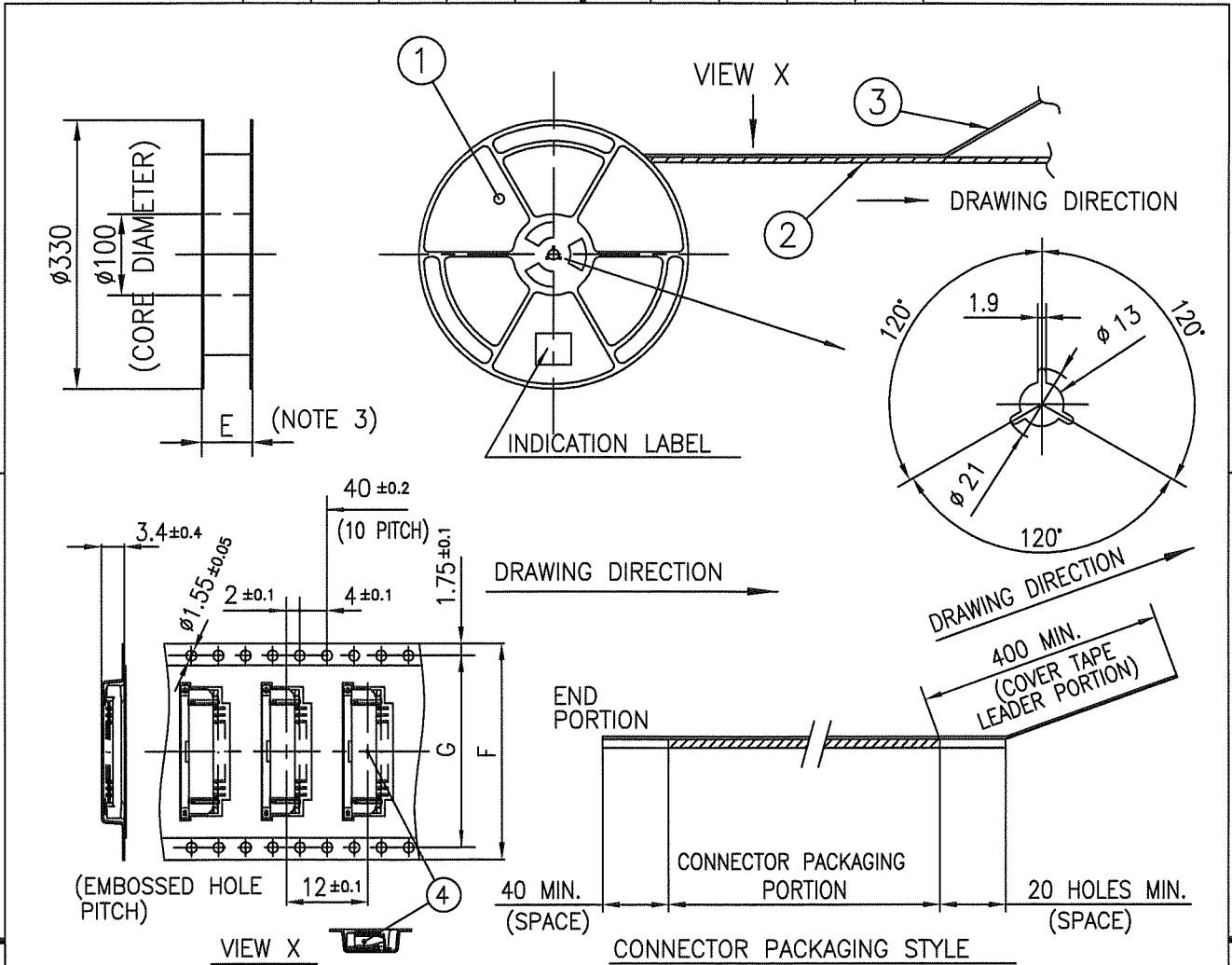
NO. OF CONTACTS (n)	CAT. NO. (NOTE2)	DIMENSIONS (NOTE3)		
		E MAX.	F ± 0.3	G ± 0.1
4	SFW4R-1/2STE5LF	22.4	16	—
5	SFW5R-1/2STE5LF	30.4	24	—
6	SFW6R-1/2STE5LF	30.4	24	—
7	SFW7R-1/2STE5LF	30.4	24	—
8	SFW8R-1/2STE5LF	30.4	24	—
9	SFW9R-1/2STE5LF	30.4	24	—
10	SFW10R-1/2STE5LF	30.4	24	—
11	SFW11R-1/2STE5LF	30.4	24	—
12	SFW12R-1/2STE5LF	30.4	24	—
13	SFW13R-1/2STE5LF	38.4	32	28.4
14	SFW14R-1/2STE5LF	38.4	32	28.4
15	SFW15R-1/2STE5LF	38.4	32	28.4
16	SFW16R-1/2STE5LF	38.4	32	28.4
17	SFW17R-1/2STE5LF	50.4	44	40.4
18	SFW18R-1/2STE5LF	50.4	44	40.4
19	SFW19R-1/2STE5LF	50.4	44	40.4
20	SFW20R-1/2STE5LF	50.4	44	40.4
21	SFW21R-1/2STE5LF	50.4	44	40.4
22	SFW22R-1/2STE5LF	50.4	44	40.4
23	SFW23R-1/2STE5LF	50.4	44	40.4
24	SFW24R-1/2STE5LF	50.4	44	40.4
25	SFW25R-1/2STE5LF	50.4	44	40.4
26	SFW26R-1/2STE5LF	50.4	44	40.4
27	SFW27R-1/2STE5LF	50.4	44	40.4
28	SFW28R-1/2STE5LF	62.4	56	52.4
29	SFW29R-1/2STE5LF	62.4	56	52.4
30	SFW30R-1/2STE5LF	62.4	56	52.4



NOTES

1. THIS PRODUCT IS THE CONNECTOR USED FOR FPC/FFC AND COPELS WITH AUTOMATIC MOUNTING (SMT).
2. THIS CATALOG NO. INDICATES PLASTIC TAPE PACKAGED CONNECTOR.
3. SEE PART DRAWINGS FOR DIMENSIONS E~G.

mat'l. code		surface 58 / tolerance ISO 1302 ✓ / ISO 406 / ISO 1101		projection	product family 58RF	CODE JP
ltr	ecn no	dr	date	tolerances unless otherwise specified	title CAT NO. TABLE FOR PLASTIC TAPE PACKAGED 1mm SPACING SMT CONNECTOR (Cat. No. SFW__R-1/2STE5LF)	
C				angles linear	mm	
				scale X		
		dr	2007-10-27		dwg no sheet 5 of 9 size	
		enr	2007-10-27		10100522 A4	
		chr	2007-10-27			
		appd	2007-10-27		type Product Customer Drawing	
sheet index	revision sheet					Rev. C



PT. NO.	PARTS NAME	CAT. NO.	MATERIAL	Q'TY	NOTE
1	REEL	—	POLYSTYRENE	1	COLOR : WHITE or BLACK
2	PLASTIC (EMBOSS) TAPE	—	PET	—	COLOR : TRANSPARENCY
3	COVER	—	POLYESTER	—	COLOR : TRANSPARENCY
4	CONNECTOR	SFW__R-1ST_LF	SEE ATTACHED DWG.	1500	LOWER CONTACT TYPE

NOTES

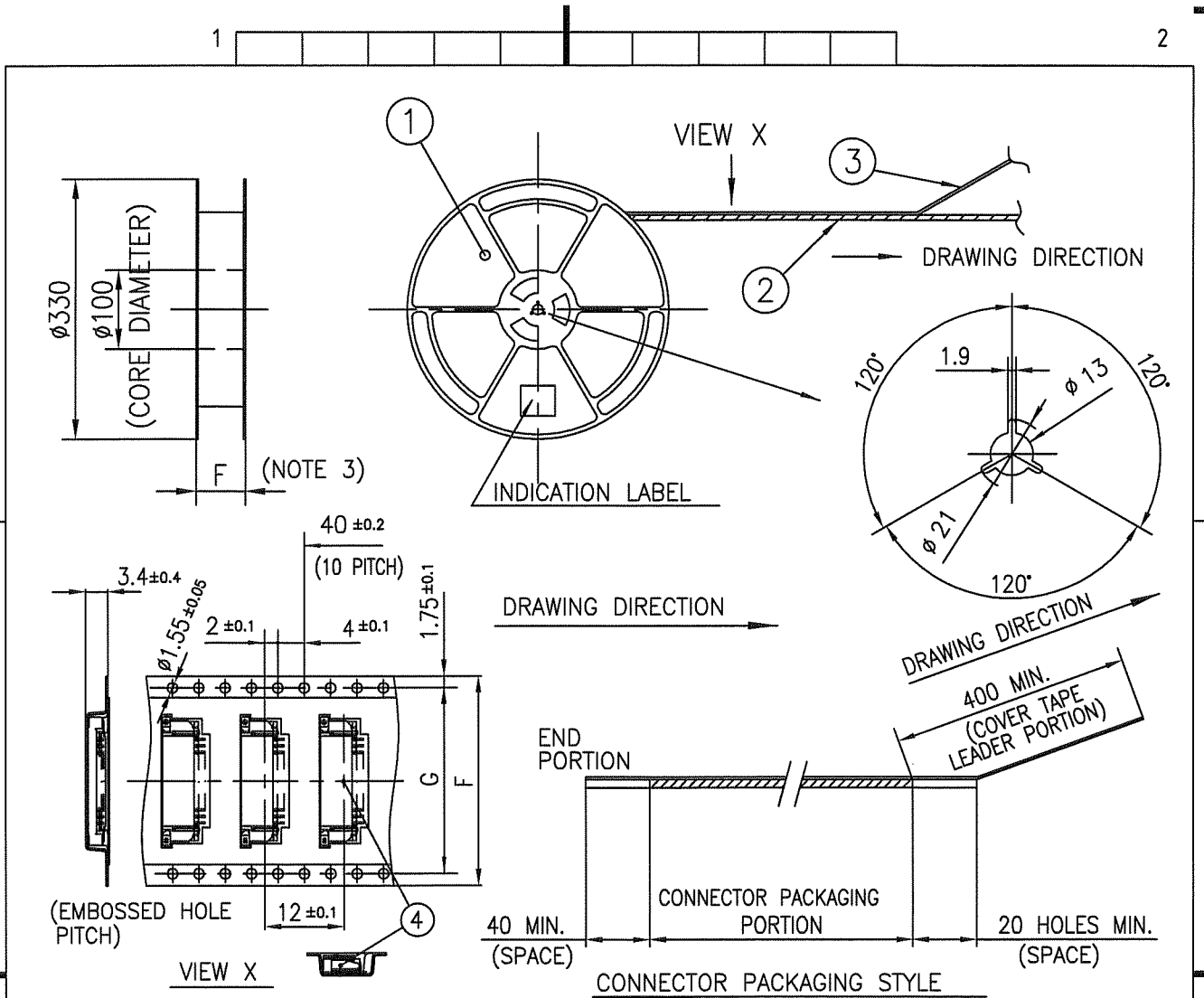
- THIS IS PLASTIC TAPE PACKAGED CONNECTOR USED FOR FPC/FFC AND COPES WITH AUTOMATIC MOUNTING (SMT).
- SEE JIS C 0806 (PACKING OF ELECTRONIC COMPONENTS ON CONTINUOUS TAPES (SURFACE MOUNTING DEVICES)) FOR SHAPE AND DIMENSIONS OF PLASTIC (EMBOSS) TAPE AND REEL.
- E DIMENSION IS PORTION OF THE CORE.

mat'l. code		surface ISO 1302 ✓		tolerance ISO 406 ISO 1101		projection		product family 58RF		CODE JP	
ltr	ecn no	dr	date	tolerances unless otherwise specified		mm		title PLASTIC TAPE PACKAGED 1mm SPACING SMT CONNECTOR (Cat. No. SFW__R-1STE5LF)			
c				angles	linear	±5					
				±5°		scale X					
		dr	M.YAMAGUCHI 2009-10-27			FCJ		dwg no 10100522		sheet 6 of 9 size A4	
		enrg	M.YAMAGUCHI 2009-10-27					type Product Customer Drawing			
		chr	S. Watanabe 2009-10-27								
		appd	S. Okada 2009-10-27								
sheet index	revision sheet										Rev. C



FCIconnect.com

Copyright FCI.



PT. NO.	PARTS NAME	CAT. NO.	MATERIAL	Q'TY	NOTE
1	REEL	_____	POLYSTYRENE	1	COLOR : WHITE or BLACK
2	PLASTIC (EMBOSS) TAPE	_____	PET	_____	COLOR : TRANSPARENCY
3	COVER	_____	POLYESTER	_____	COLOR : TRANSPARENCY
4	CONNECTOR	SFW__R-2ST__LF	SEE ATTACHED DWG.	1500	UPPER CONTACT TYPE

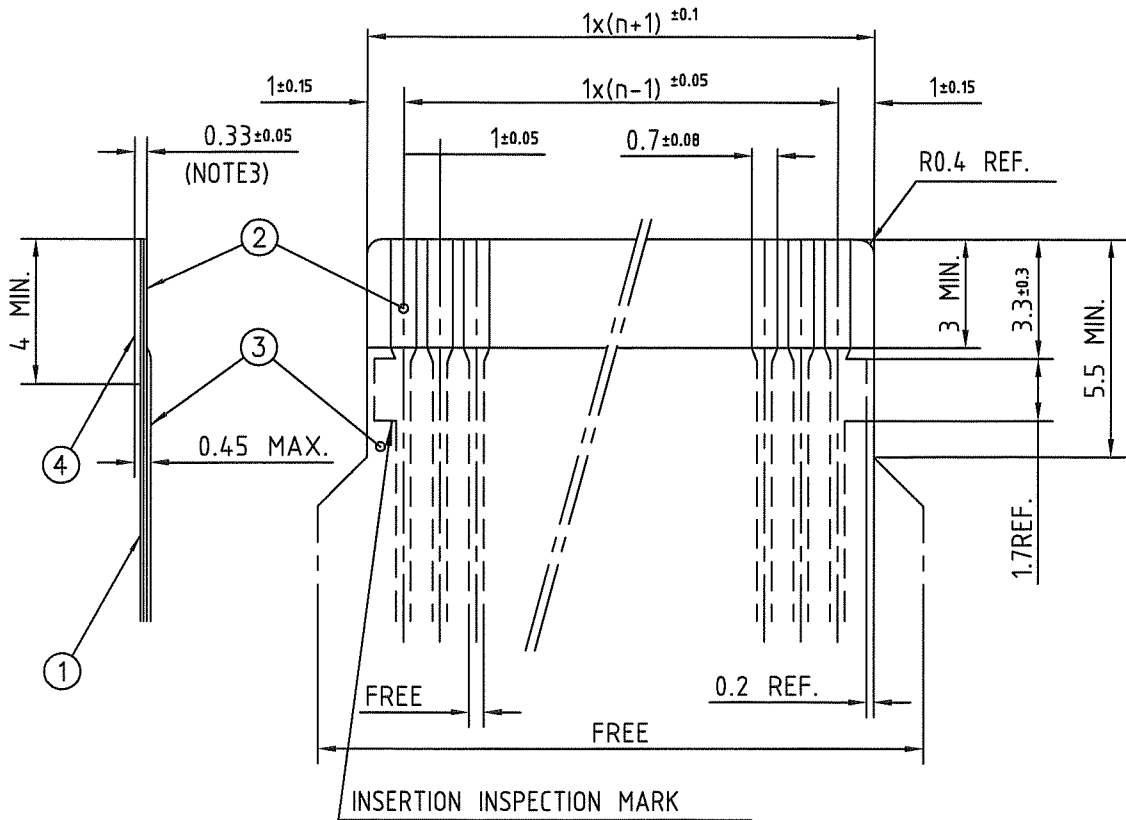
NOTES

- THIS IS PLASTIC TAPE PACKAGED CONNECTOR USED FOR FPC/FFC AND COPES WITH AUTOMATIC MOUNTING (SMT).
- SEE JIS C 0806 (PACKING OF ELECTRONIC COMPONENTS ON CONTINUOUS TAPES (SURFACE MOUNTING DEVICES)) FOR SHAPE AND DIMENSIONS OF PLASTIC (EMBOSS) TAPE AND REEL.
- E DIMENSION IS PORTION OF THE CORE.

mat'l. code		surface ISO 1302 <input checked="" type="checkbox"/>		tolerance ISO 406 <input checked="" type="checkbox"/>		projection		product family 58RF		CODE JP	
ltr		ecn no		dr		date		title		PLASTIC TAPE PACKAGED 1mm SPACING SMT CONNECTOR (Cat. No. SFW__R-2STE5LF)	
c								mm			
		angles		linear		±5		scale X			
		±5°									
		dr		M.YAMASHITA		2009-10-27		dwg no		sheet 7 of 9 size	
		enr		M.YAMASHITA		2009-10-27		10100522		A4	
		chr		S. Waka		2009-10-27					
		appd		S. Oshida		2009-10-27					
sheet index		revision sheet						type		Product Customer Drawing	
										Rev. C	

RECOMMENDED CABLE (FPC)

n : NO. OF CONDUCTOR



PT. NO.	PARTS NAME	MATERIAL	THICKNESS (um)
1	BASE FILM	POLYIMIDE OR POLYESTER OR EQUAL	25
2	CONDUCTOR	COPPER FOIL(PLATING:SOLDER 1um MIN.)	35
3	OVERLAY	POLYIMIDE OR POLYESTER OR EQUAL	—
4	SUPPORTING TAPE	POLYESTER OR POLYIMIDE OR EQUAL	188

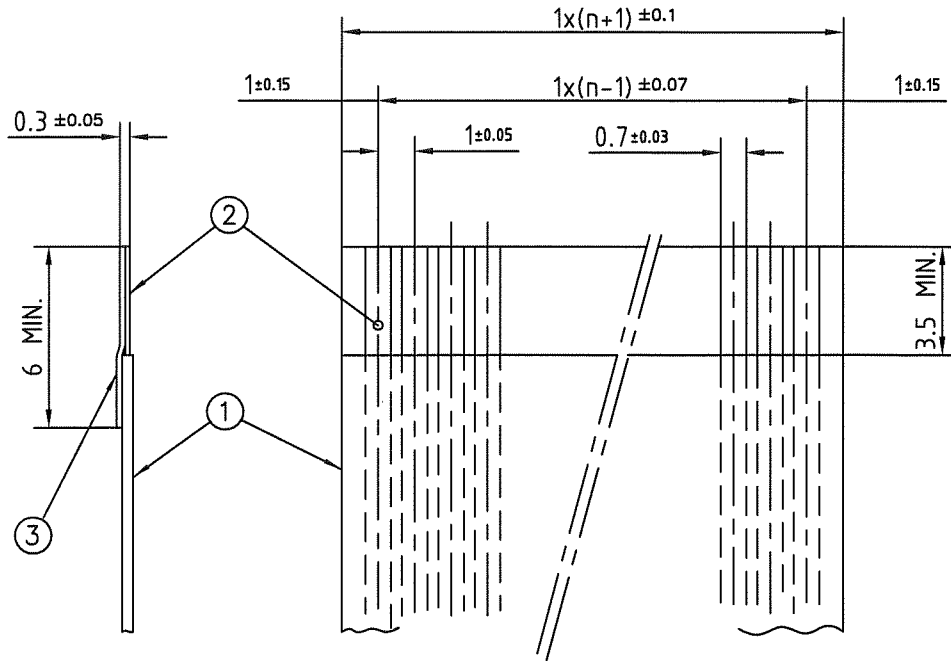
NOTES

1. NO BURR AT EACH PORTION.
2. NO PEELING IN COMMON USE.
3. TOTAL THICKNESS LIMIT OF EACH MATERIAL (INCLUDING ADHESIVE AGENT) IS SPECIFIED.

mat'l. code		surface 58/ISO 1302		tolerance ISO 406/ISO 1101		projection		product family 58RF		CODE JP	
ltr	ecn no	dr	date	tolerances unless otherwise specified		mm		title			
C				angles	linear	mm		RECOMMENDED CABLE (Cat. No. SFW__R-1/2__)			
						scale X		dwg no		sheet 8 of 9	
				dr	M. YAMASHITA	2009-10-27	FCI	10100522		size A4	
				enr	M. YAMASHITA	2009-10-27		type Product Customer Drawing			
				chr	D. Weber	2009-10-27					
				appd	S. O. danis	2009-10-27					
sheet index	revision sheet										Rev. C

RECOMMENDED CABLE (FFC)

n : NO. OF CONDUCTOR



PT. NO.	PARTS NAME	MATERIAL	NOTE
1	INSULATOR	FLAME RESISTING POLYESTER OR EQUAL	_____
2	CONDUCTOR	COPPER FOIL	PLATING:TIN OR SOLDER 1um MIN.
3	SUPPORTING TAPE	FLAME RESISTING POLYESTER OR EQUAL	_____

NOTES

1. NO BURR AT EACH PORTION.
2. NO PEELING IN COMMON USE.

mat'l. code		surface 58/ISO 1302		tolerance ISO 406 ISO 1101		projection		product family 58RF		CODE JP	
ltr		ecn no		dr		date		title		RECOMMENDED CABLE	
c				angles		linear		mm		(Cat. No. SFW__R-1/2__)	
				dr		M.YAMASHITA 2009-10-27		scale X		dwg no	
				enr		M.YAMASHITA 2009-10-27		FCI		sheet 9 of 9	
				chr		S. Nishikawa 2009-10-27		10100522		size A4	
				appd		P. Okada 2009-10-27		type		Product Customer Drawing	
sheet index		revision sheet								Rev. c	