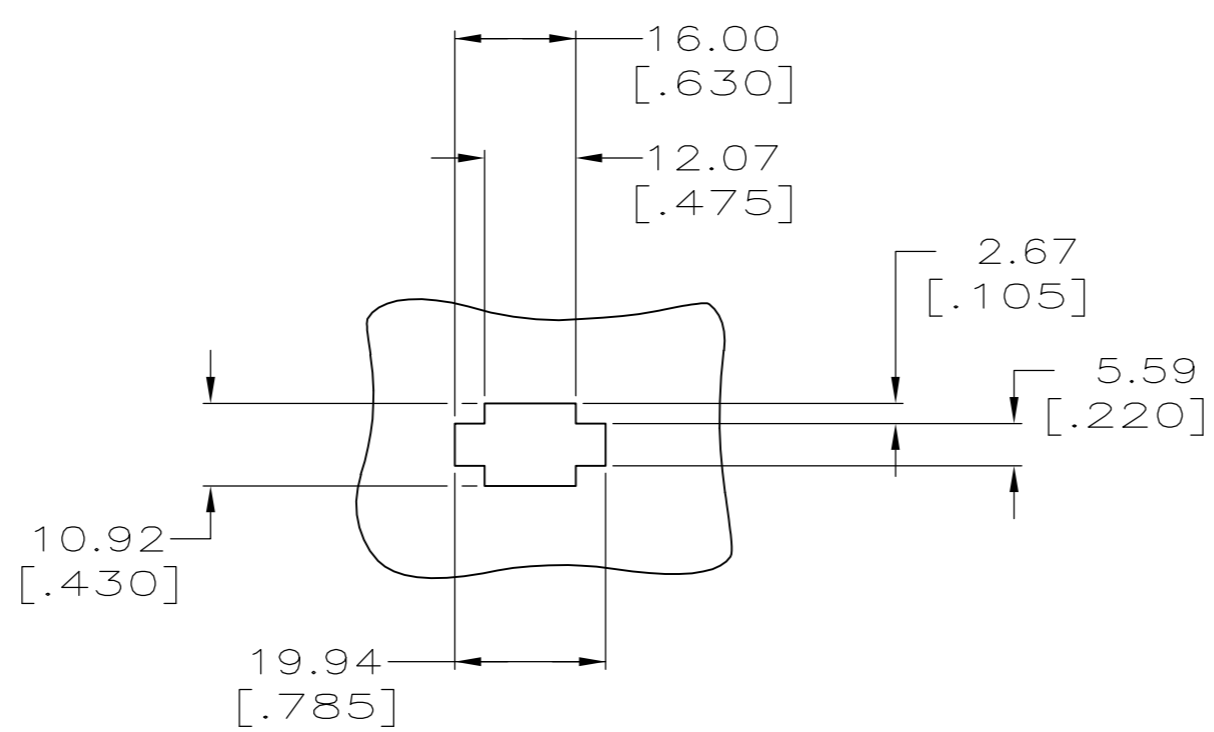
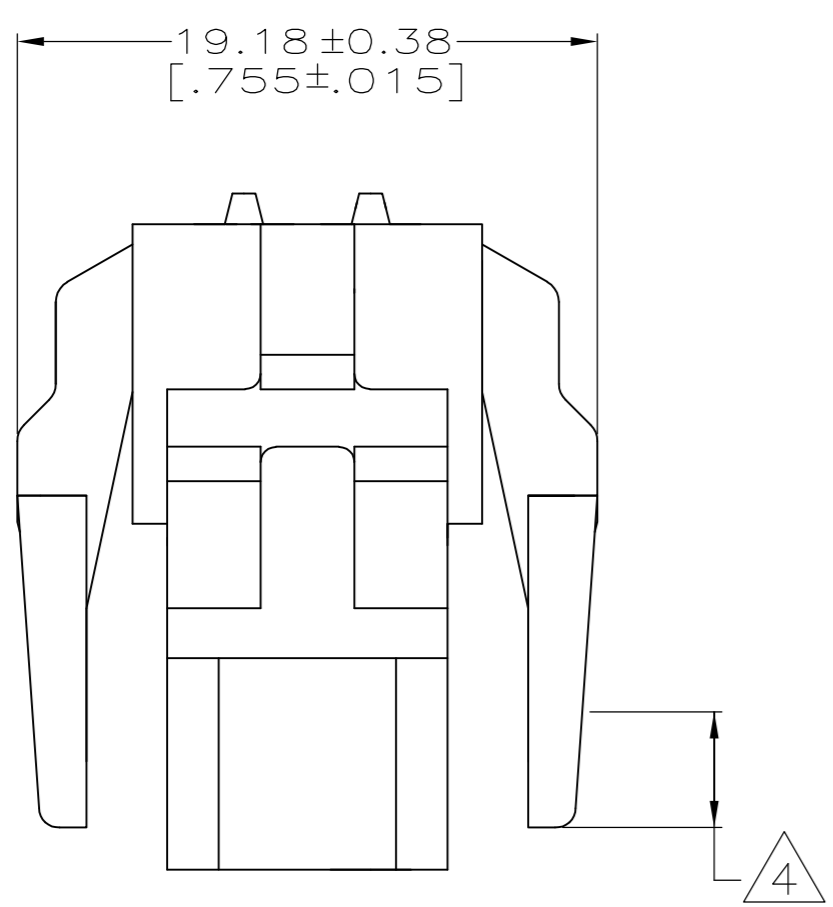
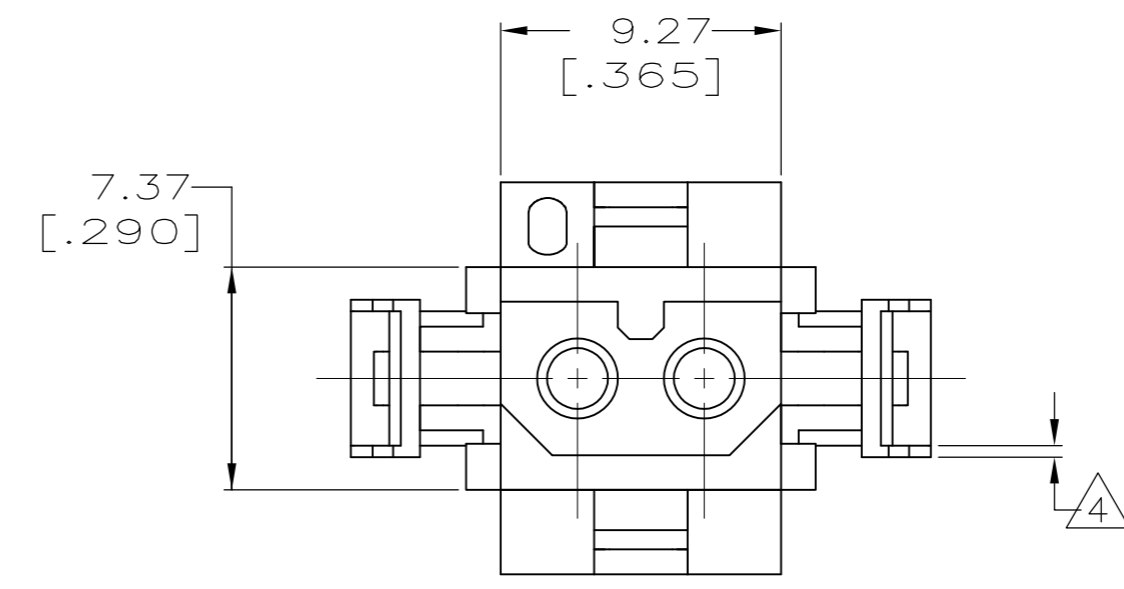
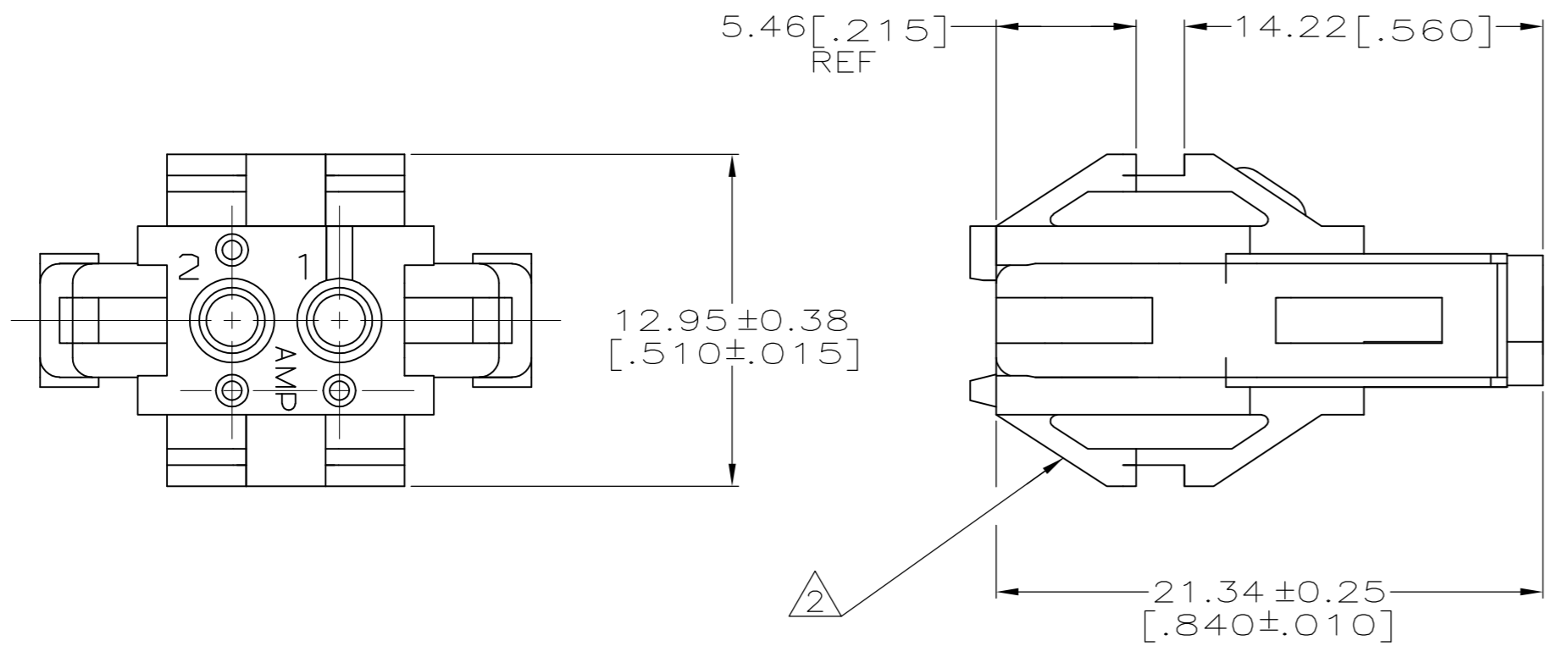


THIS DRAWING IS UNPUBLISHED. RELEASED FOR PUBLICATION
 © COPYRIGHT - By - ALL RIGHTS RESERVED.

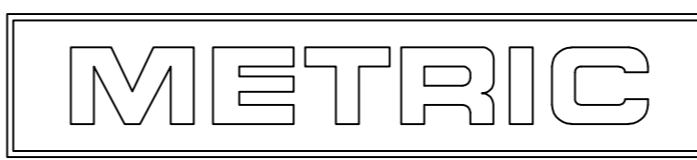
LOC		DIST		REVISIONS			
P	LTR	DESCRIPTION		DATE	DWN	APVD	
CM	52	F1	REVISED PER ECO-11-004820		11MAR11	RK	HMR

- MATES WITH HOUSING 640507.
- UL LOGO AND CSA LOGO TO APPEAR ON EITHER LATCH SURFACE PER AMP SPEC 202-20, I.D. NO. 1-18838-3 AND 1-18839-3. FROST BACKGROUND OPTIONAL.
- DIMENSIONS IN BRACKETS ARE IN INCHES.
- NON-FILL PERMITTED UP TO 3.8[.15] FROM EDGE OF LATCH ARM ON THE 0.38[.015] THICK FLANGE, 4 PLC.



RECOMMENDED CUT OUT FOR 1.73[.068] MAX THICK PANEL SCALE 1:1

1-640517-0
PART NUMBER



THIS DRAWING IS A CONTROLLED DOCUMENT.		DWN	R. VESTAL	12-01-97		TE Connectivity		
DIMENSIONS: mm [INCHES]		CHK	R. SWING	12-01-97		HOUSING, PLUG		
TOLERANCES UNLESS OTHERWISE SPECIFIED:		APVD	A. BEDDICK	12-01-97		MRL		
0 PLC ± -		PRODUCT SPEC				2 POSITION		
1 PLC ± -		APPLICATION SPEC			SIZE	CAGE CODE	DRAWING NO	RESTRICTED TO
2 PLC ± 0.13[.005]		WEIGHT			A2	00779	C=640517	-
3 PLC ± -		CUSTOMER DRAWING		SCALE	4:1	SHEET	1 OF 1	REV
4 PLC ± -								F1
ANGLES ± 0° 30'								
FINISH								
MATERIAL: NYLON, UL 94V-0, NATURAL (BRICK RED)								

640517