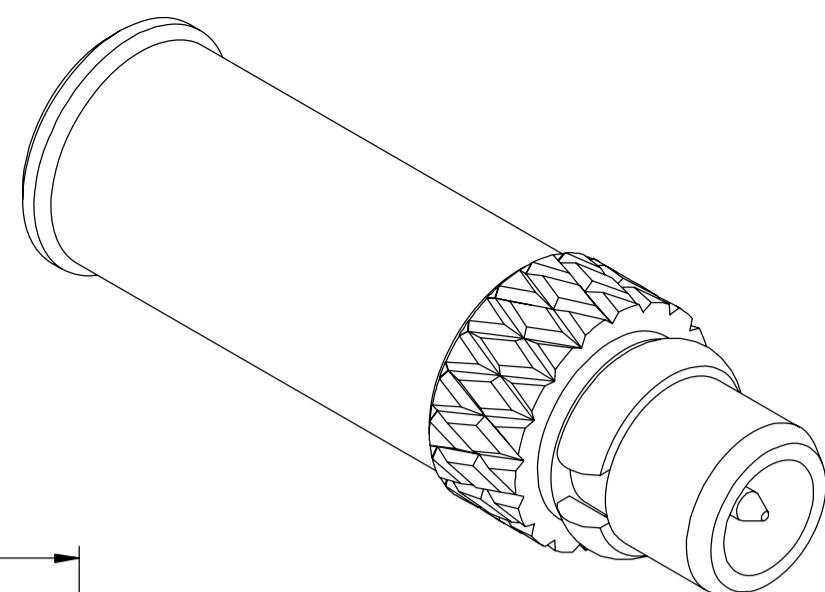
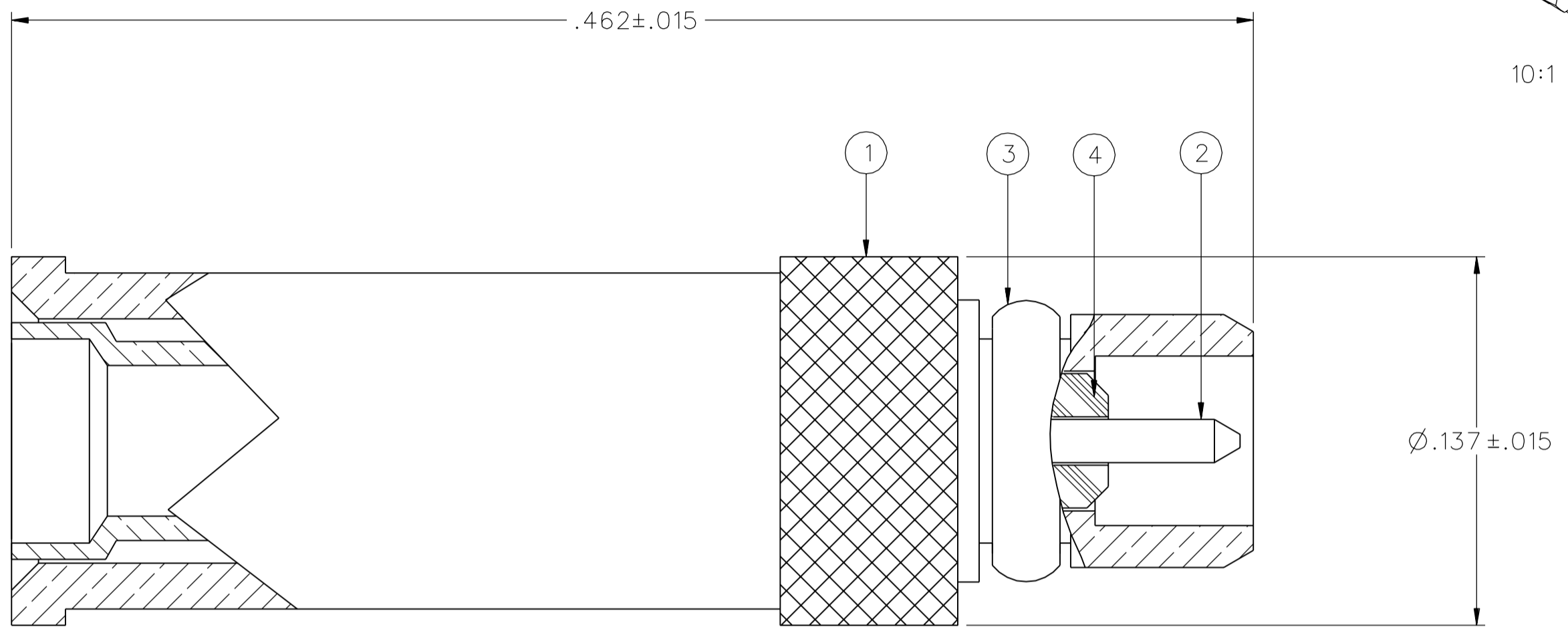


PART NUMBER 135-9402-001	ITEM ① BODY COPPER ALLOY GOLD PL .00005 MIN OVER COPPER PL .00005 MIN	ITEM ② CONTACT BERYLLIUM COPPER GOLD PL .00005 MIN OVER COPPER PL .00005 MIN	ITEM ③ INTERFACE SPRING BERYLLIUM COPPER GOLD PL .00005 MIN OVER COPPER PL .00005 MIN	ITEM ④ INSULATOR TEFLON	ITEM ⑤ CRIMP INSERT COPPER ALLOY GOLD PL .00005 MIN OVER COPPER PL .00005 MIN
-----------------------------	---	--	---	-------------------------------	---



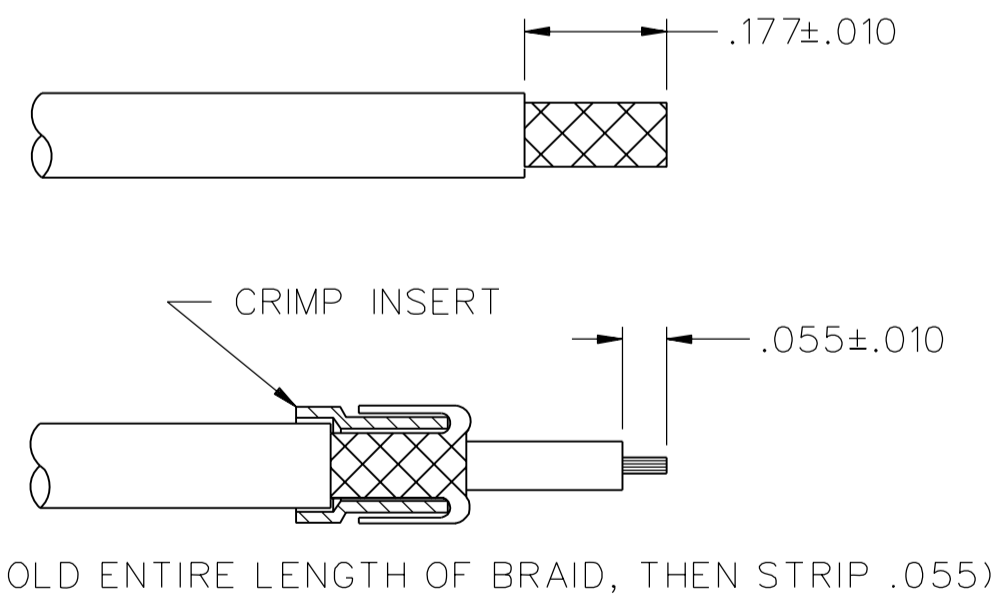
10:1



DRAWING NO. C - 135-9402-001/010	
0	REVISIONS
ENGINEERING RELEASE	
1	9-6-07 P A T S J D A K T M J S 9-14-07 ECN 51223

NOTES:

1. SPECIFICATIONS:
- IMPEDANCE: 50 OHMS
 - FREQUENCY RANGE: 0-6 GHz
 - VSWR: 1.2 MAX (F IN GHz)
 - WORKING VOLTAGE: 170 VRMS MAX AT SEA LEVEL
 - DIELECTRIC WITHSTANDING VOLTAGE: 500 VRMS MIN AT SEA LEVEL
 - INSULATION RESISTANCE: 1000 MEGOHM MIN
 - CONTACT RESISTANCE:
 - CENTER CONTACT - INITIAL 5.0 MILLIOHM MAX, AFTER ENVIRONMENTAL 8.0 MILLIOHM MAX
 - OUTER CONDUCTOR - GOLD PLATED INITIAL 1 MILLIOHM MAX, AFTER ENVIRONMENTAL 1.5 MILLIOHM MAX
 - BODY TO BRAID - GOLD PLATED INITIAL 1.5 MILLIOHM MAX, AFTER ENVIRONMENTAL NOT APPLICABLE
 - CORONA LEVEL: 190 VOLTS MINIMUM AT 70,000 FEET
 - INSERTION LOSS: 0.1 DB MAX AT 1 GHZ
 - RF LEAKAGE: -60 DB AT 2.5 GHZ
 - RF HIGH POTENTIAL WITHSTANDING VOLTAGE: 400 VRMS AT 4 AND 7 MHZ



CABLE STRIP DIMENSIONS
4:1

CUSTOMER DRAWING

THIS DRAWING TO BE INTERPRETED PER ASME Y 14.5M - 1994

"μSTATION"

COMPANY CONFIDENTIAL

- MECHANICAL:
- ENGAGE/DISENGAGE FORCE: 8.0 LBS MAX ENGAGEMENT
1.4 LBS MIN DISENGAGEMENT
 - CONTACT RETENTION FORCE: 2.0 LBS MIN AXIAL FORCE
 - CONTACT RETENTION TORQUE: NOT APPLICABLE
 - COUPLING MECHANISM RETENTION: NOT APPLICABLE
 - CABLE ACCEPTABILITY: RG 178/U, RG 196/U
 - CABLE HEX CRIMP SIZE: .105 HEX X .235 WIDE
 - CABLE RETENTION: 7.0 LBS
 - DURABILITY: 500 CYCLES MIN
- ENVIRONMENTAL:
- (MEETS OR EXCEEDS THE APPLICABLE PARAGRAPH OF MIL-PRF-39012)
- THERMAL SHOCK: MIL-STD-202, METHOD 107, CONDITION C, EXCEPT -55 DEG C TO 155 DEG C
 - OPERATING TEMPERATURE: -55 DEG C TO 155 DEG C
 - CORROSION: MIL-STD-202, METHOD 101, CONDITION B
 - SHOCK: MIL-STD-202, METHOD 213, CONDITION B
 - VIBRATION: MIL-STD-202, METHOD 204, CONDITION D
 - MOISTURE: MIL-STD-202, METHOD 106

TOLERANCE UNLESS OTHERWISE SPECIFIED		DRAWN BY JDS	DATE 9-6-07
DECIMALS	mm	CHECKED BY TAK	DATE 9-14-07
.XX	_____	APPROVED BY TJS	DATE 9-14-07
.XXX ±.003	_____	RELEASE DATE	9-14-07
MATL	_____	U/M	INCH
FINISH	_____	SCALE	20:1

cinch Connectivity Solutions
P.O. Box 1732
Waseca, MN 56093
1-800-247-8256

TITLE ASSEMBLY, PLUG STRAIGHT CABLED RG 178 NON-MAGNETIC MMCX	
SHEET 2 OF 2	DRAWING NO. C - 135-9402-001/010