

Sensor/actuator box header - SACB-6/ 6-L-C GG SCO - 1516742

Please be informed that the data shown in this PDF Document is generated from our Online Catalog. Please find the complete data in the user's documentation. Our General Terms of Use for Downloads are valid (<http://download.phoenixcontact.com>)



Sensor/actuator box header, Connection method: M12-SPEEDCON-socket Metal, Number of slots: 6, Number of positions: 4, Slot assignment: Single, Status indication: Yes, pnp; Master cable connection: Pluggable screw connection, Shielding: No



Key commercial data

Packing unit	1 PCE
Weight per Piece (excluding packing)	251.3 GRM
Custom tariff number	85366990
Country of origin	Poland

Technical data

General

Rated voltage	24 V DC
Max. operating voltage U_{max}	30 V DC
Current carrying capacity per I/O signal	2 A
Current carrying capacity per slot	4 A
Total rated current	10 A
	2x 8 A (For electrical isolation)
Number of positions	4
Number of slots	6
Inflammability class according to UL 94	V0
Sensor/actuator connection system	M12-SPEEDCON-socket

Ambient conditions

Degree of protection	IP65
	IP67
	IP69K
Ambient temperature (operation)	-30 °C ... 80 °C

Sensor/actuator box header - SACB-6/ 6-L-C GG SCO - 1516742

Technical data

Local diagnostics function

Local diagnostics	Supply voltage per module Green LED
	Status display I/O Yellow LED

Master cable data/connection data

Connection method	Pluggable screw connection
Tightening torque slot sensor/actuator cable	0.4 Nm

Insulation material

Housing material	PBT
Material of the moulding mass	PUR
Contact material	Cu alloy
Contact surface material	Gold-plated
Contact carrier material	PA
Material of contact, master cable side	CU alloy
Material of contact surface, master cable side	Gold-plated
Material of the contact carrier on the master cable side	PA 66 V0
Material of threaded sleeve	Zinc die-cast
Material of threaded sleeve surface	Nickel-plated
Material, O-ring	NBR

Pin assignment

Slot/position = Wire color or connection	1 / 4 (A) = 1 / 4
	2 / 4 (A) = 2 / 4
	3 / 4 (A) = 3 / 4
	4 / 4 (A) = 4 / 4
	5 / 4 (A) = 5 / 4
	6 / 4 (A) = 6 / 4
	1-6 / 1 (+ 24 V) = U _N
	1-6 / 3 (0 V) = 0 V
	1-6 / 5 (PE) = PE

Classifications

eCl@ss

eCl@ss 4.0	27140815
eCl@ss 4.1	27140815
eCl@ss 5.0	27143423
eCl@ss 5.1	27143423
eCl@ss 6.0	27143423

Sensor/actuator box header - SACB-6/ 6-L-C GG SCO - 1516742

Classifications

eCl@ss

eCl@ss 7.0	27449001
eCl@ss 8.0	27449001

ETIM

ETIM 2.0	EC000200
ETIM 3.0	EC001856
ETIM 4.0	EC002585
ETIM 5.0	EC002585

UNSPSC

UNSPSC 6.01	31261501
UNSPSC 7.0901	31261501
UNSPSC 11	31261501
UNSPSC 12.01	31261501
UNSPSC 13.2	31261501

Approvals

Approvals

Approvals

UL Recognized / cUL Recognized / GOST / cULus Recognized

Ex Approvals

Approvals submitted

Approval details

UL Recognized	
Nominal current I _N	3 A
Nominal voltage U _N	24 V

Sensor/actuator box header - SACB-6/ 6-L-C GG SCO - 1516742

Approvals

cUL Recognized	
Nominal current IN	3 A
Nominal voltage UN	24 V

GOST	
------	--

cULus Recognized	
------------------	--

Accessories

Accessories

Device marking

Contact marker – zack marker strip - SS-ZB 17,5 WH - 0804963



Contact marker – zack marker strip, Strip, white, Unlabeled, Can be labeled with: Plotter, Mounting type: Snap into flat marker groove, Lettering field: 17.5 x 8 mm

Protective cap

Screw plug - PROT-MS SCO - 1553129



M12 screw plug with SPEEDCON quick locking for unoccupied M12 sockets of the sensor/actuator cables, boxes and flush-type connectors

Screwdriver tools

Sensor/actuator box header - SACB-6/ 6-L-C GG SCO - 1516742

Accessories

Tool - SAC BIT M12-D15 - 1208432



Nut for assembling sensor/actuator cables with M12 connector and for M12 connectors with QUICKON fast connection technology, for 4 mm hexagonal drive

Tool - SACC BIT M12-D20 - 1208445



Nut for assembling SACC M12 connectors for free assembly, excluding M12 connectors with QUICKON fast connection technology, for 4 mm hexagonal drive

Philips screwdriver - SZK PZ1 VDE - 1206450



Screwdriver, PZ crosshead, VDE insulated, size: PZ 1 x 80 mm, 2-component grip, with non-slip grip

Torque tool

Torque screwdriver - TSD 04 SAC - 1208429



Torque screwdriver, with preset torque of 0.4 Nm and 4 mm hexagonal drive for M12 connectors

Required add-on products

Connector hood - SACB-C-H180-6/ 6- 5,0PUR SCO - 1516551



Connector hood, For use in Sensor/actuator box, Connection method: M12-SPEEDCON-socket Metal, Number of slots: 6, Slot assignment: Single, Status indication: No; Master cable connection: Pluggable screw connection 180°, PUR/PVC, Cable length: 5 m, Shielding: No

Sensor/actuator box header - SACB-6/ 6-L-C GG SCO - 1516742

Accessories

Connector hood - SACB-C-H180-6/ 6-10,0PUR SCO - 1516564



Connector hood, For use in Sensor/actuator box, Connection method: M12-SPEEDCON-socket Metal, Number of slots: 6, Slot assignment: Single, Status indication: No; Master cable connection: Pluggable screw connection 180°, PUR/PVC, Cable length: 10 m, Shielding: No

Connector hood - SACB-C-H180 6- 6 SCO PUR/ - 1516674



Connector hood, For use in Sensor/actuator box, Connection method: M12-SPEEDCON-socket Metal, Number of slots: 6, Slot assignment: Single, Status indication: No; Master cable connection: Pluggable screw connection 180°, PUR/PVC, Cable length: 0.5 m ... 50 m, Shielding: No

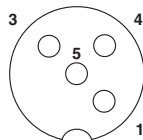
Connector hood - SACB-C-H180 8/16 SCO - 1516713



Connector hood with an integrated connector, for M12 sensor/actuator boxes with metal thread and pluggable screw connection, for 4, 6 or 8 slots

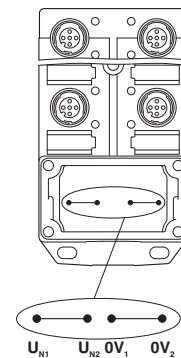
Drawings

Schematic diagram



M12 slot, socket, 4-pos.

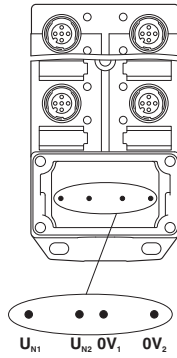
Schematic diagram



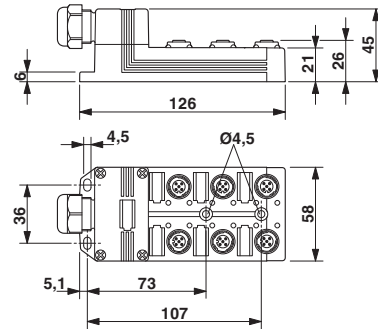
Potential U_{N1} and U_{N2} bridged. Potential assignment: $U_{N1} = U_{N2} =$ slots 1,2,3,4,5,6.

Sensor/actuator box header - SACB-6/ 6-L-C GG SCO - 1516742

Schematic diagram



Dimensioned drawing



Electrically isolated. Potential assignment:
 U_{N1} = slots 1,3,5 and U_{N2} = slots 2,4,6.

Circuit diagram

