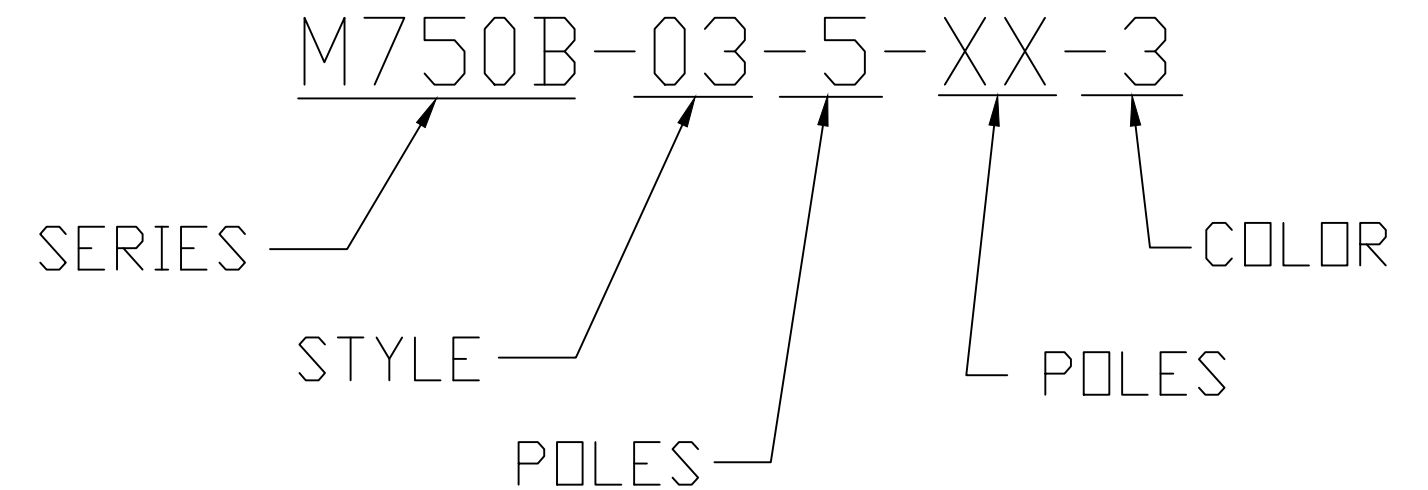


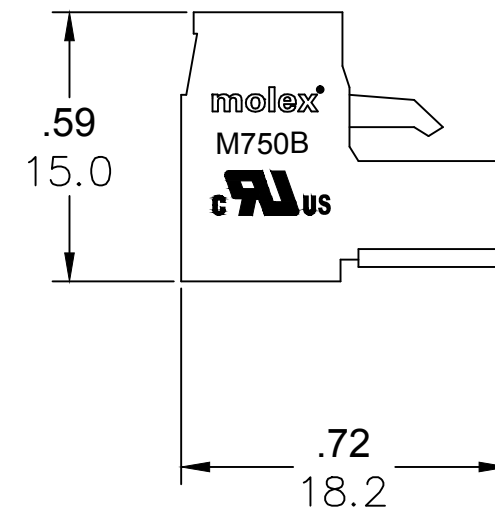
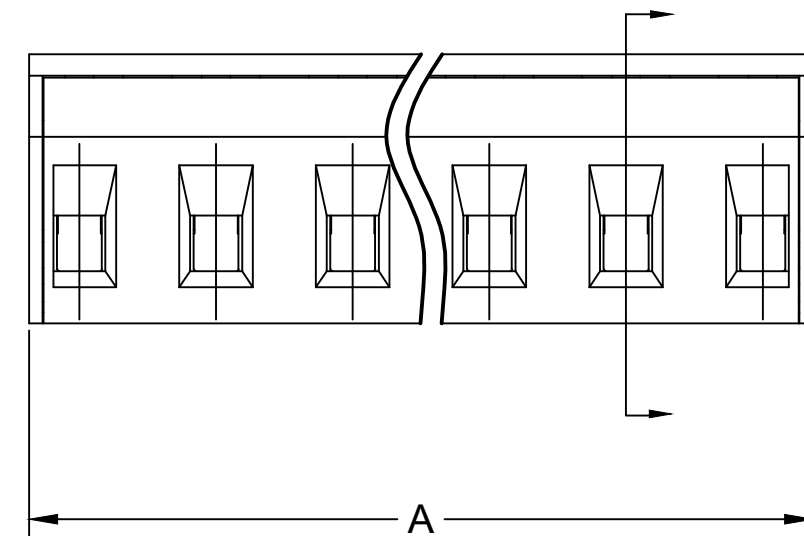
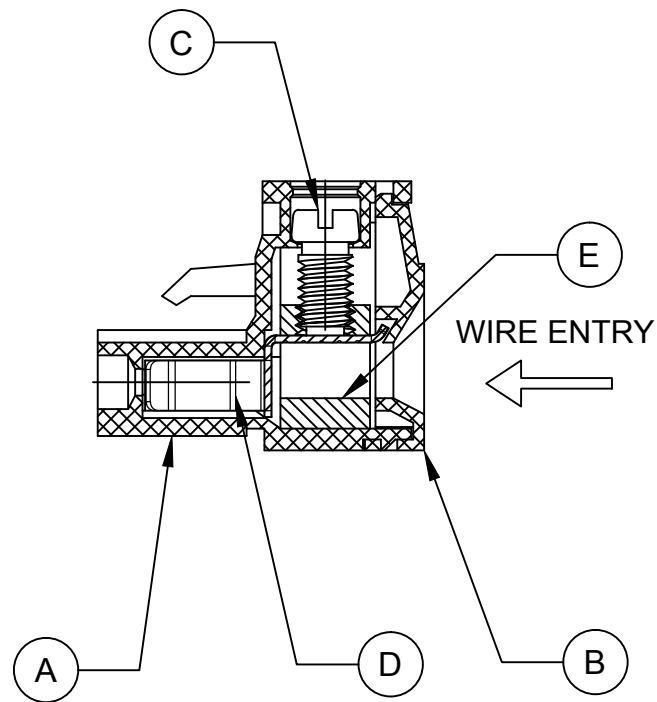
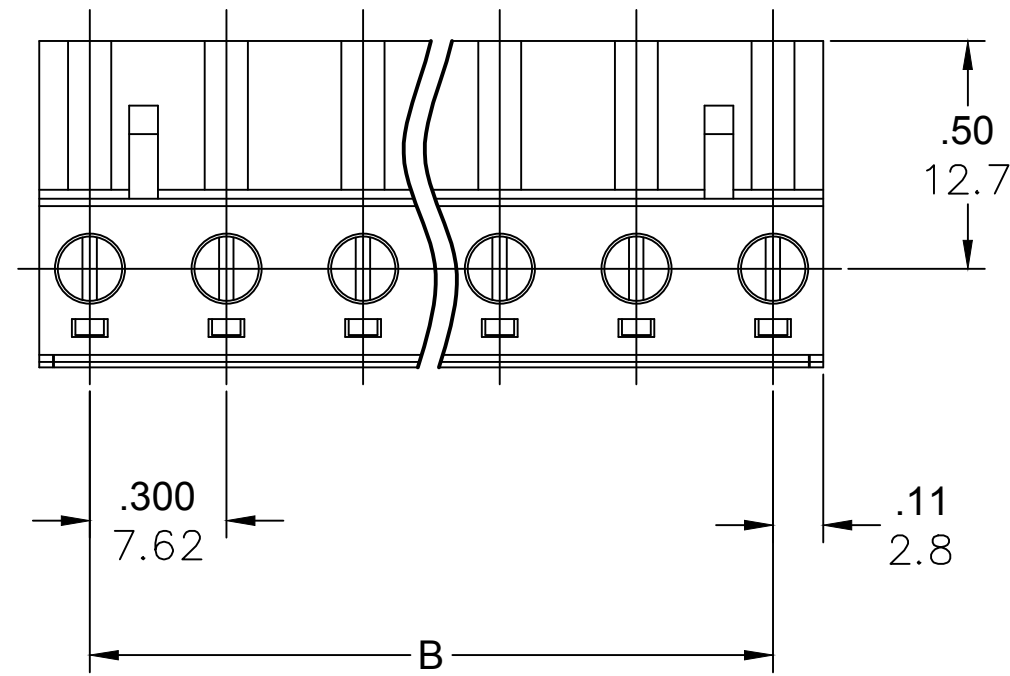
PART NUMBER DATA							
CIRCUITS	PART NUMBER	ENGINEERING NUMBER	COLOR	A IN mm		B IN mm	
2	397040002	M750B-03-5-02-3	GREEN	.52	13.2	.300	7.62
3	397040003	M750B-03-5-03-3	GREEN	.82	20.8	.600	15.23
4	397040004	M750B-03-5-04-3	GREEN	1.12	28.5	.900	22.85
5	397040005	M750B-03-5-05-3	GREEN	1.42	36.1	1.200	30.47
6	397040006	M750B-03-5-06-3	GREEN	1.72	43.7	1.500	38.09
7	397040007	M750B-03-5-07-3	GREEN	2.02	51.3	1.799	45.70
8	397040008	M750B-03-5-08-3	GREEN	2.32	58.9	2.099	53.32
9	397040009	M750B-03-5-09-3	GREEN	2.62	66.6	2.399	60.94
10	397040010	M750B-03-5-10-3	GREEN	2.92	74.2	2.699	68.56
11	397040011	M750B-03-5-11-3	GREEN	3.22	81.8	2.999	76.17
12	397040012	M750B-03-5-12-3	GREEN	3.52	89.4	3.299	83.79

REF. LAST 2 DIGITS OF PART NUMBER EQUALS NUMBER OF POLES

ENGINEERING NUMBER LEGEND



CONTACT FACTORY FOR OPTIONAL COLORS



SPECIFICATIONS

1. MATERIAL:

- A. BODY: PA66.UL94 V-0
- B. COVER: PA66.UL94 V-0
- C. TERMINAL SCREW: M3, STEEL. ZINC PLATED
- D. CONTACT: COPPER ALLOY.TIN PLATED
- E. CAGE: BRASS NICKEL PLATED

- 2. WIRE SIZE: 30 - 12AWG.
- 3. RATING: 15A AT 51-150V, 10A AT 151 TO 300V
- 4. SCREW TORQUE: 5.0 IN. LBS.
- 5. WIRE STRIP LENGTH: .20 (5.0mm).
- 6. OPERATING TEMPERATURE: -40°C TO +105°C
- 7. MATES WITH HEADER SERIES: 39723
- 8. DIMS SHOWN ARE FOR REFERENCE ONLY

TOLERANCES			
MM	TOL	INCH	TOL
0-6	±0.25	0-.24	±.010
>6-30	±0.40	.24-1.18	±.016
>30-120	±0.50	1.18-4.76	±.020
>120	±0.80	>4.76	±.031

REVISED DOC TOL EC NO.: ICG2017-0881 DRWN: ABENJAMI CHKD: --- APPR: BRUPERT 2014/10/16 REV DESCRIPTION	QUALITY SYMBOL	GENERAL TOLERANCES (UNLESS SPECIFIED) mm INCH 4 PLACES ±--- ±--- 3 PLACES ±--- ±--- 2 PLACES ±--- ±--- 1 PLACE ±--- ±--- ANGULAR ±---° DRAFT WHERE APPLICABLE MUST REMAIN WITHIN DIMENSIONS	DIMENSION STYLE	SCALE	DESIGN UNITS	THIRD ANGLE PROJECTION	
	▽=0 ∇=0		IN/MM	---	METRIC		
			DRAWN BY	DATE	TITLE		
			RSTONE	2014/01/22	7.62 EURO PLUG RIGHT ANGLE NO MTG ENDS		
	CHECKED BY	DATE	MOLEX INCORPORATED				
	G. FARNS	----	DOCUMENT NO. SD-39704-001				
	APPROVED BY	DATE	SHEET NO. 1 OF 1				
	JFMURPHY	2014/10/16	THIS DRAWING CONTAINS INFORMATION THAT IS PROPRIETARY TO MOLEX INCORPORATED AND SHOULD NOT BE USED WITHOUT WRITTEN PERMISSION				
	MATERIAL NO.	SEE CHART					
A1	REV						