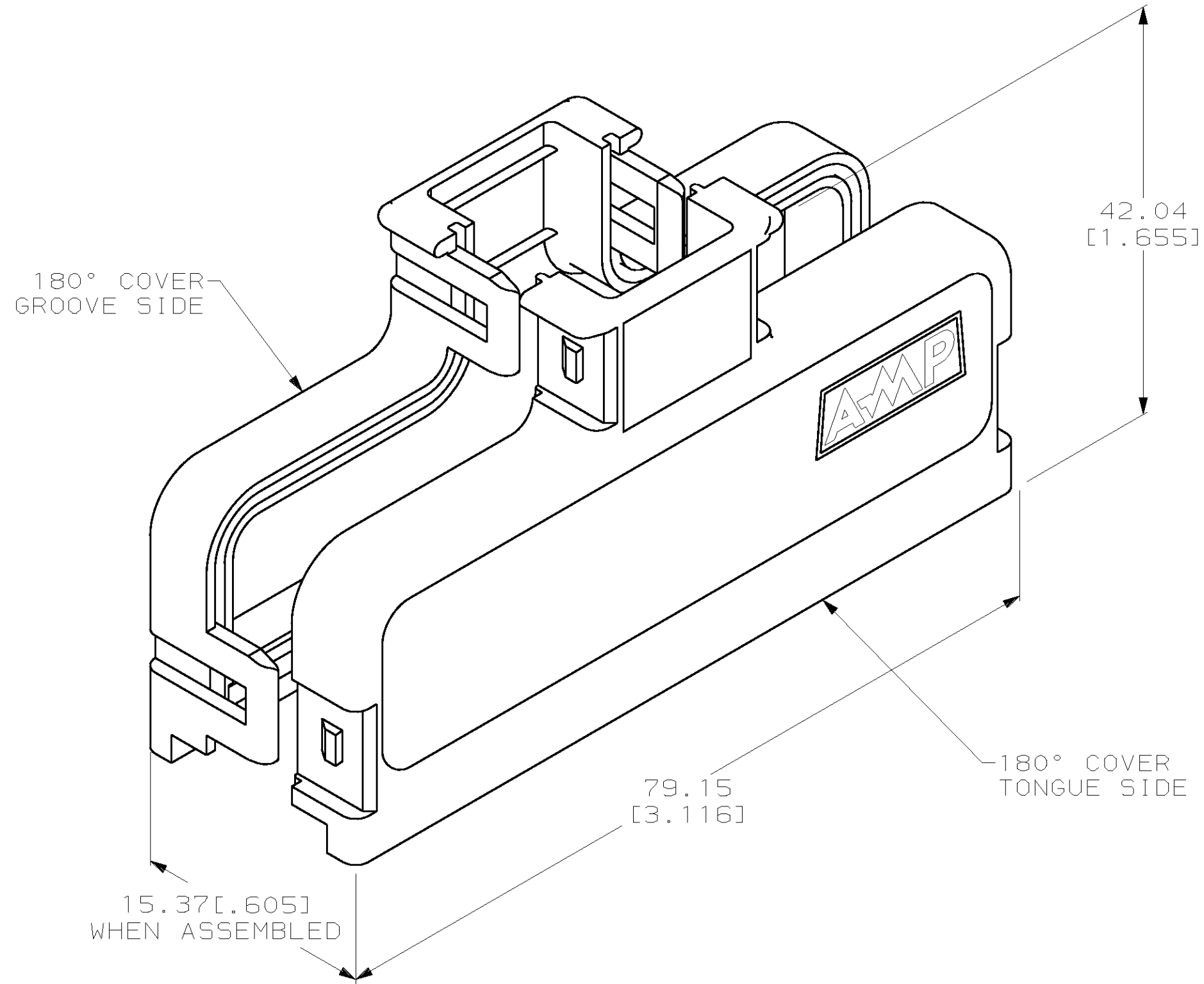


THIS DRAWING IS UNPUBLISHED. RELEASED FOR PUBLICATION  
 BY AMP INCORPORATED. ALL RIGHTS RESERVED.

LOC	DIST	REVISIONS			
P	LTR	DESCRIPTION	DATE	DWN	APVD
AA	20	C	OBSOLETE: -61 PER EC 0515-0321-02	21JAN03	DLD/RPM

- ① DIMENSIONS ARE MAXIMUM UNLESS OTHERWISE SPECIFIED.
- 2. KIT SHIPPED NOT ASSEMBLED.
- ③ MATERIAL: POLYPHENYLENE OXIDE, BLACK.
- 4. CABLE RANGE:  $\phi$ 14.22-15.37 [.560-.605].
- 5. 100 KITS BULK PACKAGED.



569025

569025-1  
PART NUMBER

THIS DRAWING IS A CONTROLLED DOCUMENT.		DWN L. SMITH 05-DEC-94	AMP Incorporated Harrisburg, PA 17105-3608																
DIMENSIONS: mm [INCHES]		CHK C. WHITT 07-DEC-94	NAME COVER KIT, 180 DEGREE, 64 POSITION, CHAMP																
TOLERANCES UNLESS OTHERWISE SPECIFIED:		APVD J. TRAMMEL 14-DEC-94																	
<table border="0"> <tr><td>0 PLC</td><td>±-</td><td rowspan="4">①</td></tr> <tr><td>1 PLC</td><td>±-</td></tr> <tr><td>2 PLC</td><td>±-</td></tr> <tr><td>3 PLC</td><td>±-</td></tr> <tr><td>4 PLC</td><td>±-</td><td></td></tr> <tr><td>ANGLES</td><td>±-</td><td></td></tr> </table>		0 PLC	±-	①	1 PLC	±-	2 PLC	±-	3 PLC	±-	4 PLC	±-		ANGLES	±-		PRODUCT SPEC -	SIZE A2	CAGE CODE 00779
0 PLC	±-	①																	
1 PLC	±-																		
2 PLC	±-																		
3 PLC	±-																		
4 PLC	±-																		
ANGLES	±-																		
MATERIAL ③		FINISH -	WEIGHT -	DRAWING NO C-569025															
CUSTOMER DRAWING			SCALE 2:1	SHEET 1 OF 1															
			REV C	RESTRICTED TO -															