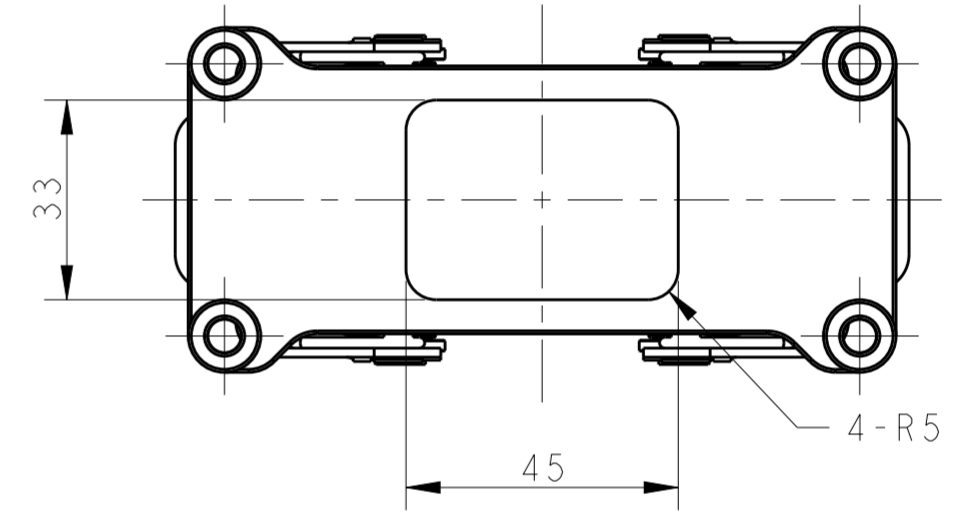
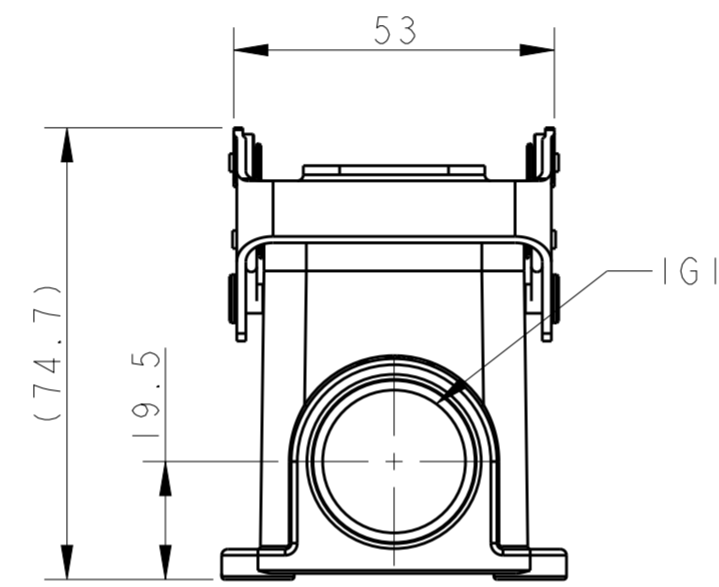
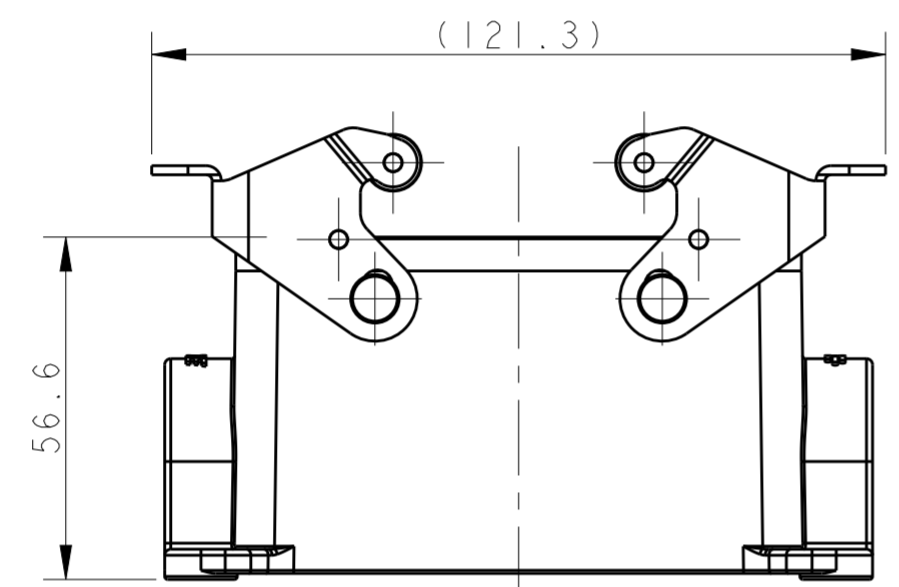
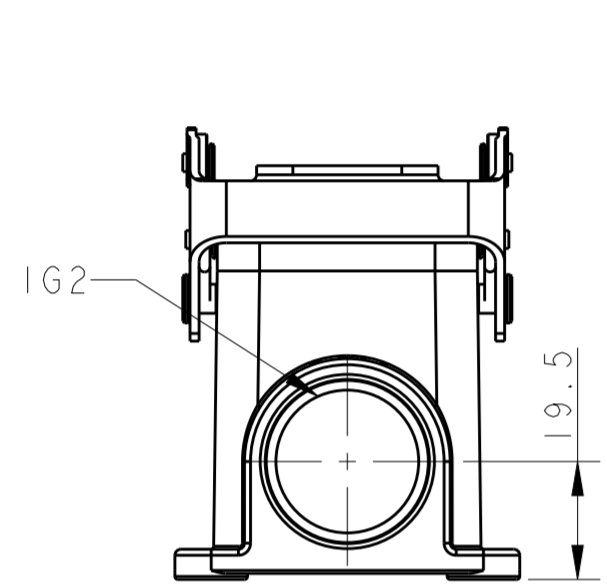
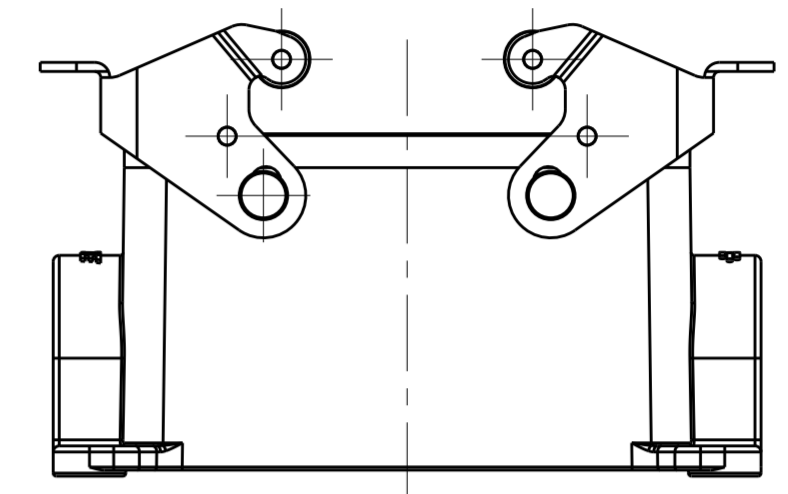
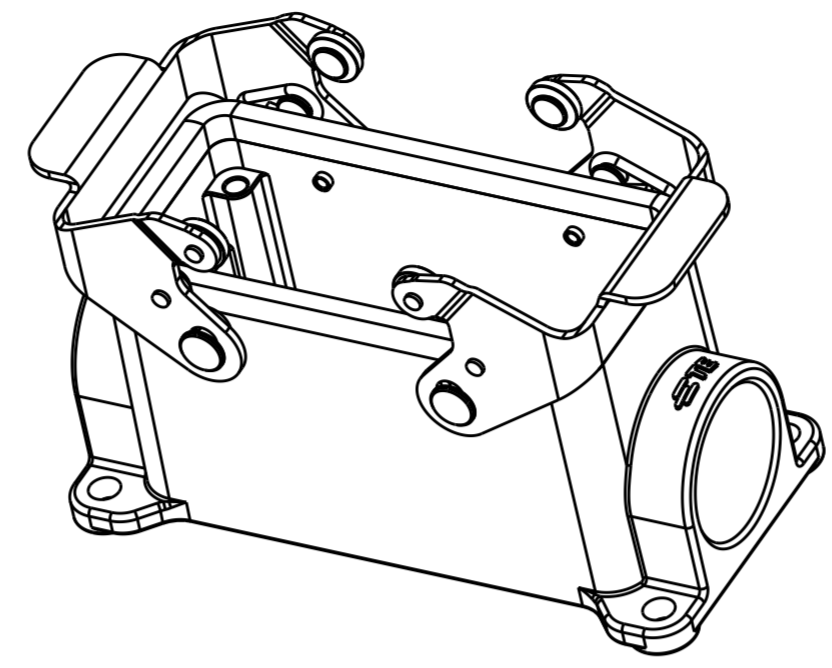
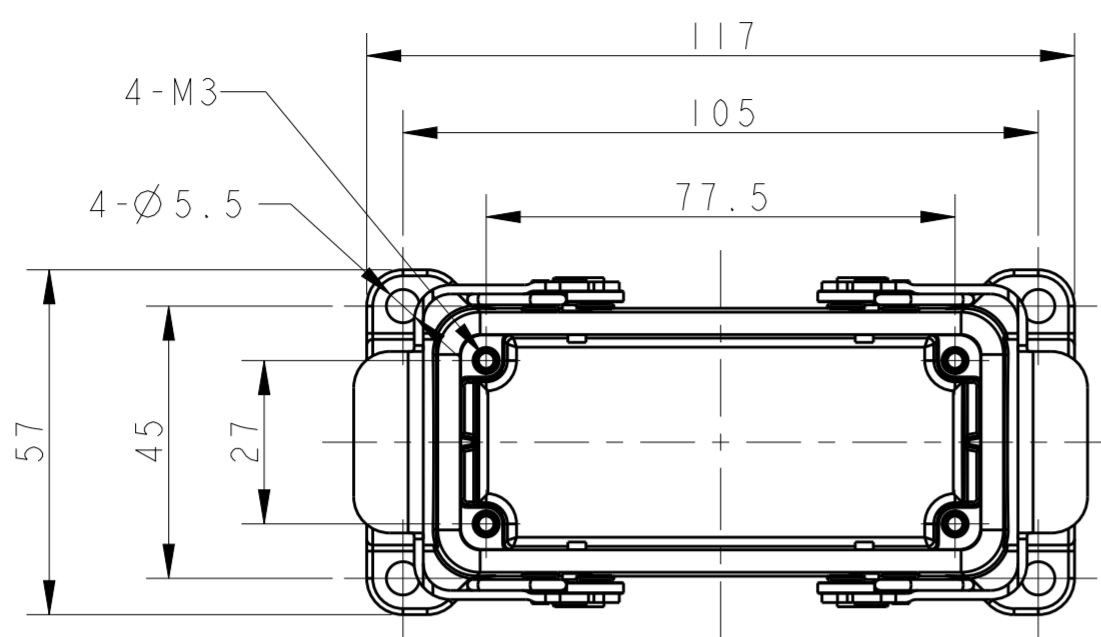


THIS DRAWING IS UNPUBLISHED. RELEASED FOR PUBLICATION 20
 © COPYRIGHT 20 BY - ALL RIGHTS RESERVED.

REVISIONS					
P	LTR	DESCRIPTION	DATE	DWN	APVD
	A	INITIAL RELEASE	19JUN2015	DL	CW

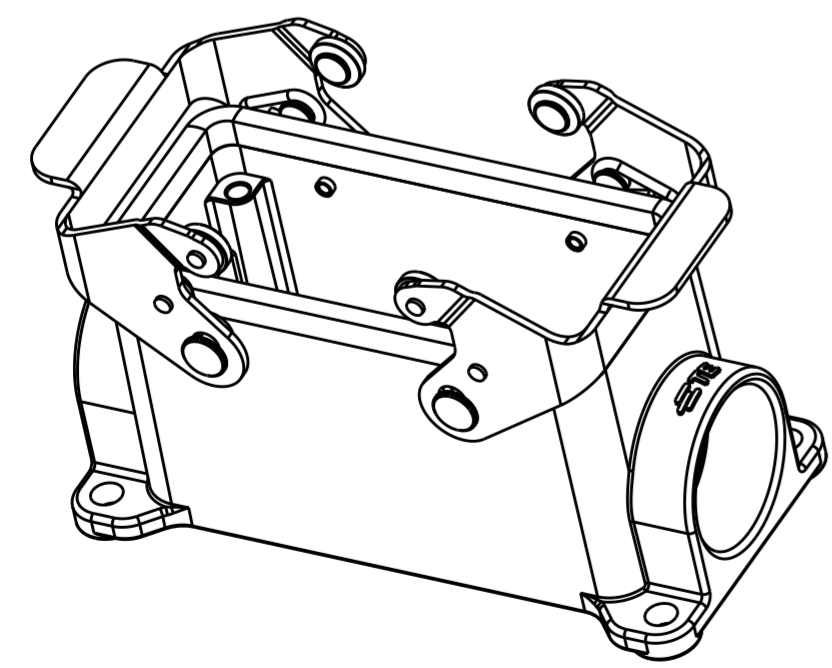


TYPE 1: BODY + STAINLESS STEEL LOCKING

TYPE 3: BODY + STAINLESS STEEL LOCKING
 BOTTOM CUT OUT
 OTHER SPEC REFER TO TYPE 1

NOTES:
 1. TECHNICAL CHARACTERISTICS:
 BODY MATERIAL: DIE CAST ALUMINIUM ALLOY
 SURFACE TREATMENT: POWDER-COATED, COLOR SEE TABLE
 OPERATION TEMPERATURE: -40-+125°C
 DEGREE OF PROTECTION: IP65 (MATED)

注释:
 1. 技术参数:
 主体材料: 铝合金
 表面处理: 粉末喷涂, 颜色见表格
 工作温度: -40-+125°C
 防护等级: IP65(配合)



TYPE 2: BODY + STAINLESS STEEL LOCKING
 SILVER WHITE COATED
 OTHER SPEC REFER TO TYPE 1

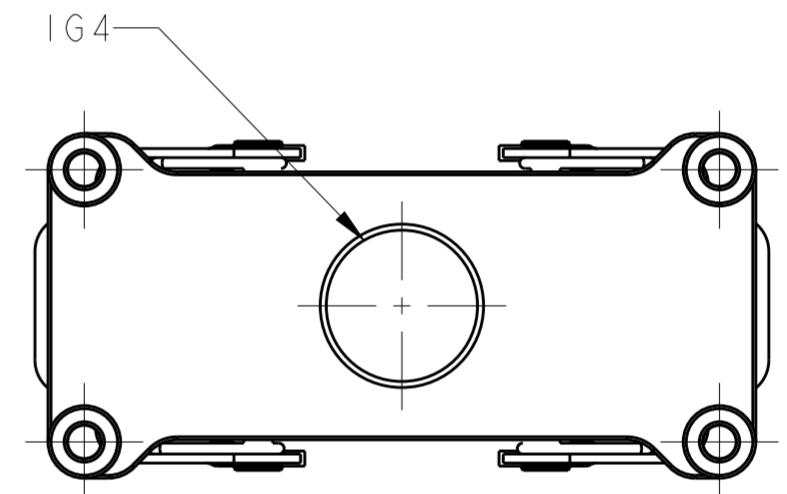
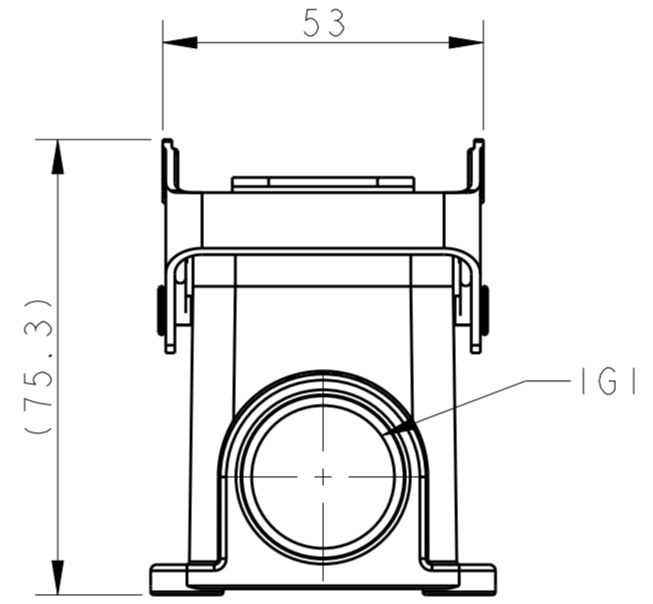
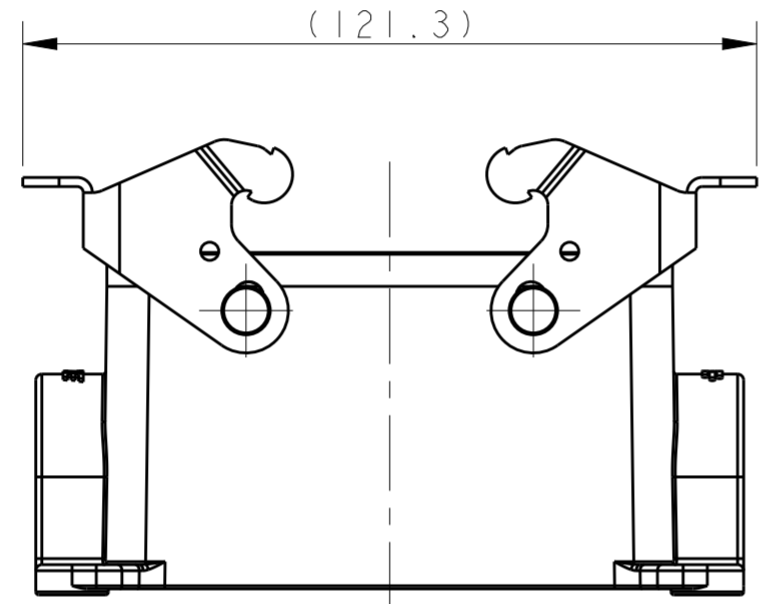
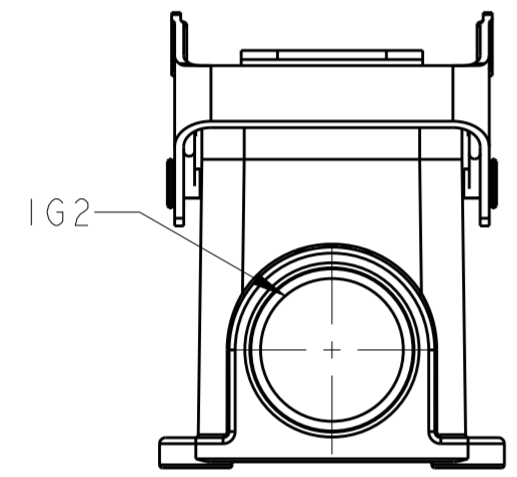
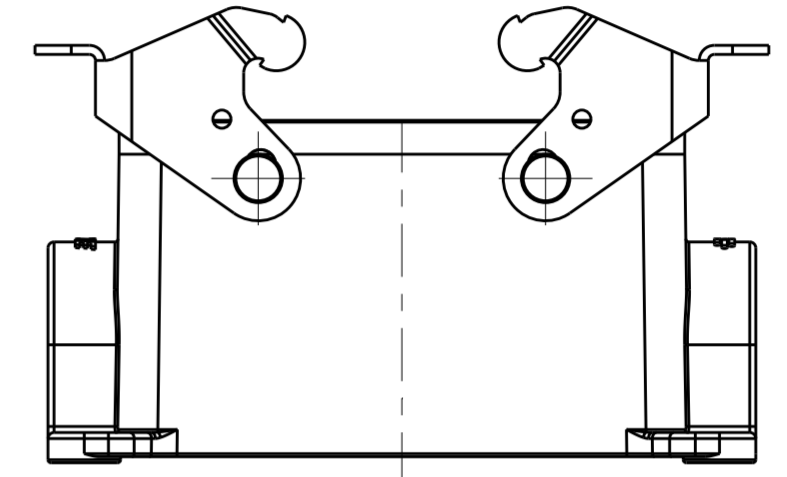
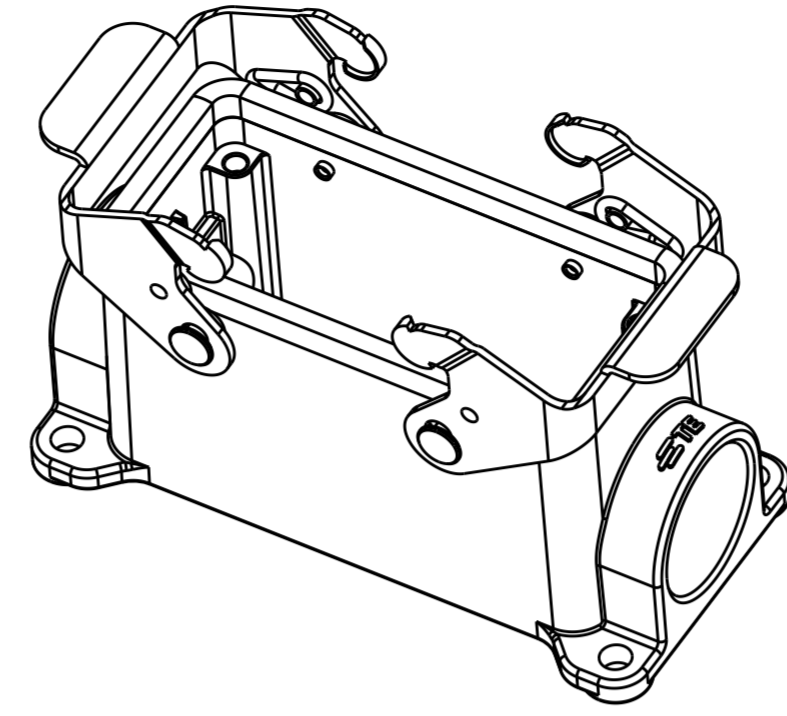
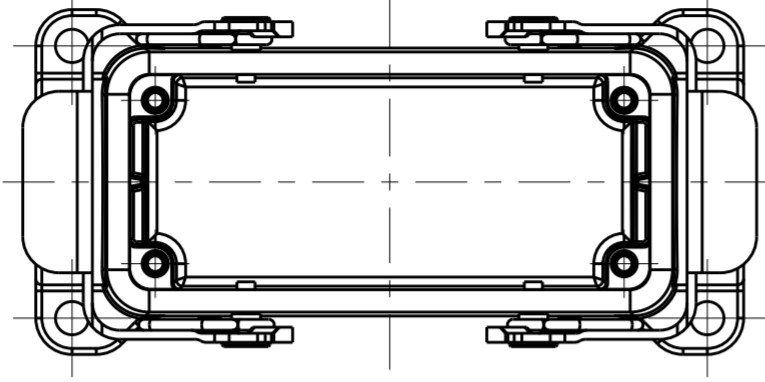
ASSEMBLY PART NUMBER	TYPE	ASSEMBLY PART DESCRIPTION	COLOR	IG1	IG2
TI440161121-000	TYPE 1	HI6B-SGRS-PG21	GRAY	PG21	-
TI440161125-000		HI6B-SGRS-M25		M25	-
TI440161221-000		HI6B-SGRS-2PG21		PG21	PG21
TI440161225-000		HI6B-SGRS-2M25		M25	M25
TI440161121-100	TYPE 2	HI6B-SGRS-PG21	SILVER WHITE	PG21	-
TI440160000-000	TYPE 3	HI6B-SGRS-T	GRAY	-	-

THIS DRAWING IS A CONTROLLED DOCUMENT.

DIMENSIONS: mm	TOLERANCES UNLESS OTHERWISE SPECIFIED:	DWN DAVID LI 19JUN2015	TE Connectivity
	0 PLC ±	CHK CHRIS WANG 19JUN2015	
	1 PLC ±	APVD XU XIANG 19JUN2015	
	2 PLC ±	NAME HI6B-SGRS-PG/M	
MATERIAL TBD	FINISH -	PRODUCT SPEC 108-137013	SIZE A2
		APPLICATION SPEC 114-137013	CAGE CODE -
		WEIGHT -	DRAWING NO. C-TI44016XXXXX00
		CUSTOMER DRAWING	RESTRICTED TO -
			SCALE 4:5 SHEET 1 OF 2 REV A

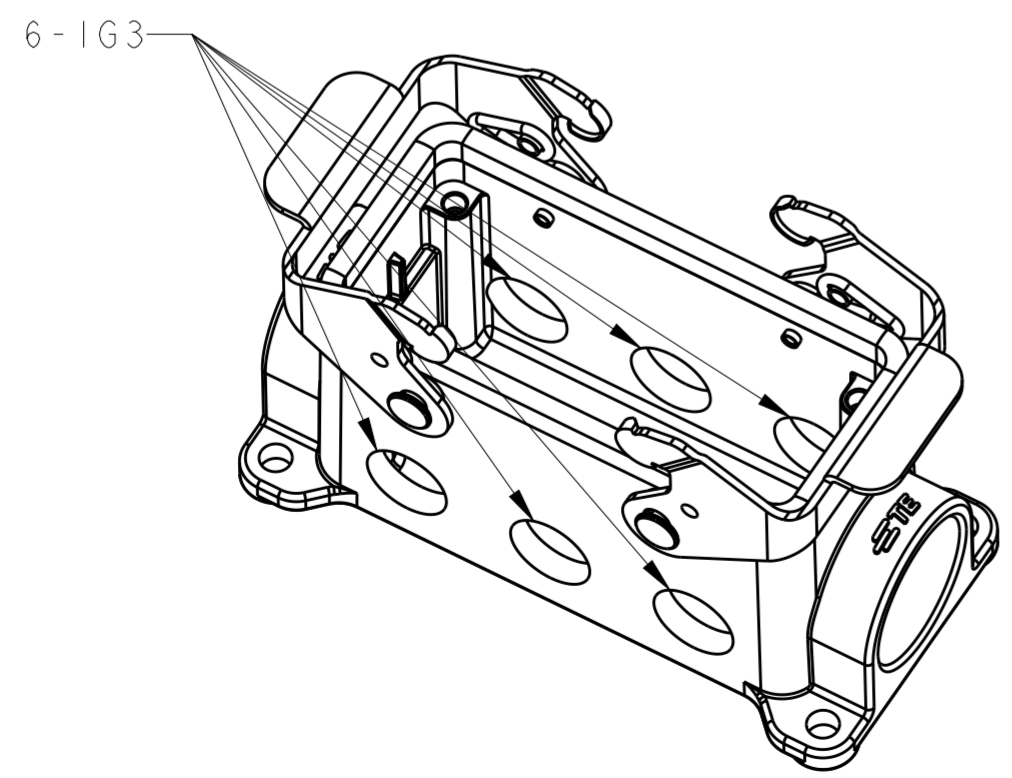
THIS DRAWING IS UNPUBLISHED. RELEASED FOR PUBLICATION 20
 © COPYRIGHT 20 BY - ALL RIGHTS RESERVED.

REVISIONS				
P	LTR	DESCRIPTION	DATE	APVD
-		SEE SHEET 1	-	-



TYPE 4: BODY + STEEL LOCKING
 OTHER SPEC REFER TO TYPE 1

TYPE 6: BODY + STEEL LOCKING
 BOTTOM 1 HOLE
 OTHER SPEC REFER TO TYPE 4



TYPE 5: BODY+ STEEL LOCKING
 FRONT/BACK 6 HOLE
 OTHER SPEC REFER TO TYPE 4

ASSEMBLY PART NUMBER	TYPE	ASSEMBLY PART DESCRIPTION	COLOR	IG1	IG2	IG3	IG4
TI440162121-000	TYPE 4	HI6B-SGR-PG21	GRAY	PG21	-	-	-
TI440162125-000		HI6B-SGR-M25		M25	-	-	-
TI440162221-000		HI6B-SGR-2PG21		PG21	PG21	-	-
TI440162225-000		HI6B-SGR-2M25		M25	M25	-	-
TI440161625-000		HI6B-SGR-M25/PG16		M25	PG16	-	-
TI440162521-000		HI6B-SGR-M25/PG21		M25	PG21	-	-
TI440162532-000		HI6B-SGR-M25/M32		M25	M32	-	-
TI440162609-000	TYPE 5	HI6B-SGR-6PG9	-	-	PG9	-	
TI440165125-000	TYPE 6	HI6B-SGR-TM25	-	-	-	M25	

THIS DRAWING IS A CONTROLLED DOCUMENT.

DWN DAVID LI 19JUN2015	TE Connectivity NAME HI6B-SGR-PG/M
CHK CHRIS WANG 19JUN2015	
APVD XU XIANG 19JUN2015	
PRODUCT SPEC 108-137013	
APPLICATION SPEC 114-137013	SIZE A2
MATERIAL TBD	CAGE CODE -
TOLERANCES UNLESS OTHERWISE SPECIFIED:	DRAWING NO. C-TI44016XXXXX00
0 PLC ±	RESTRICTED TO -
1 PLC ±	SCALE 4:5
2 PLC ±	SHEET 2 OF 2
3 PLC ±	REV A
4 PLC ±	
ANGLES ±	
FINISH -	
-	

CUSTOMER DRAWING