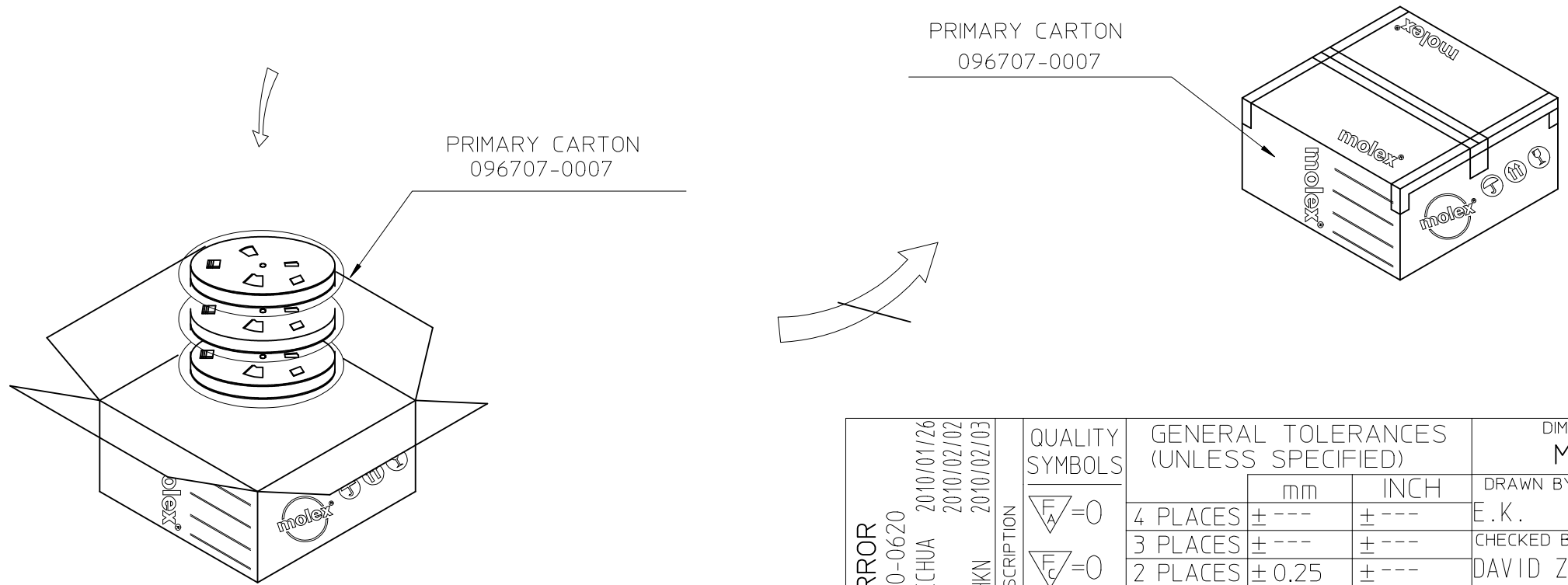
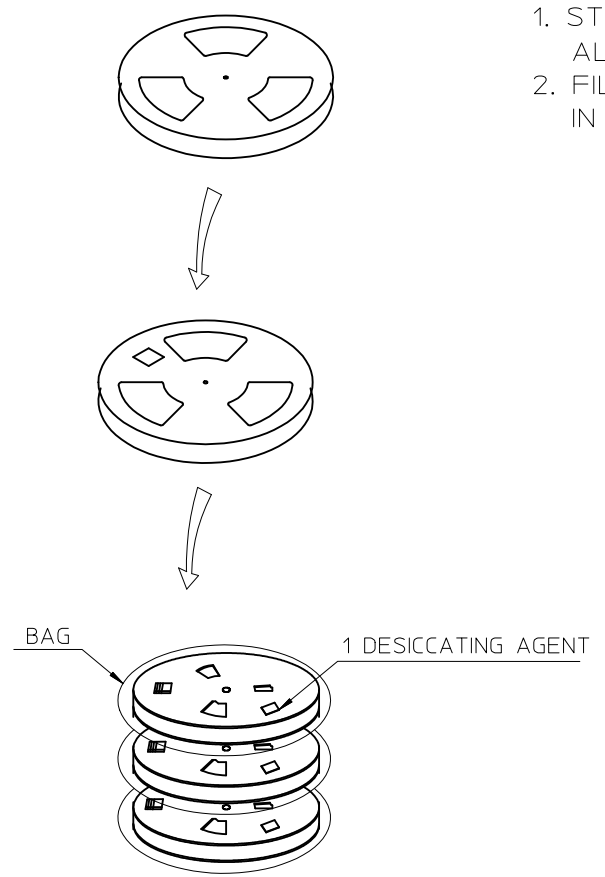
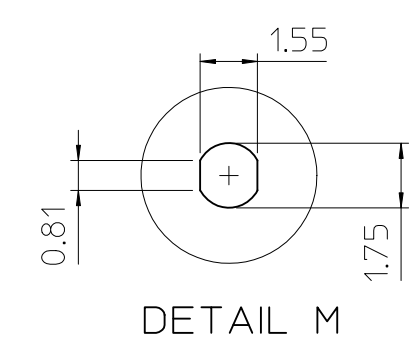
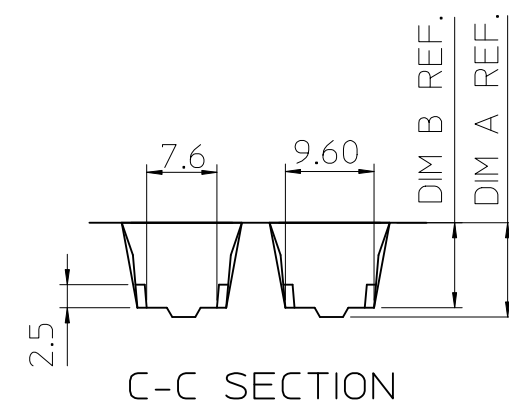
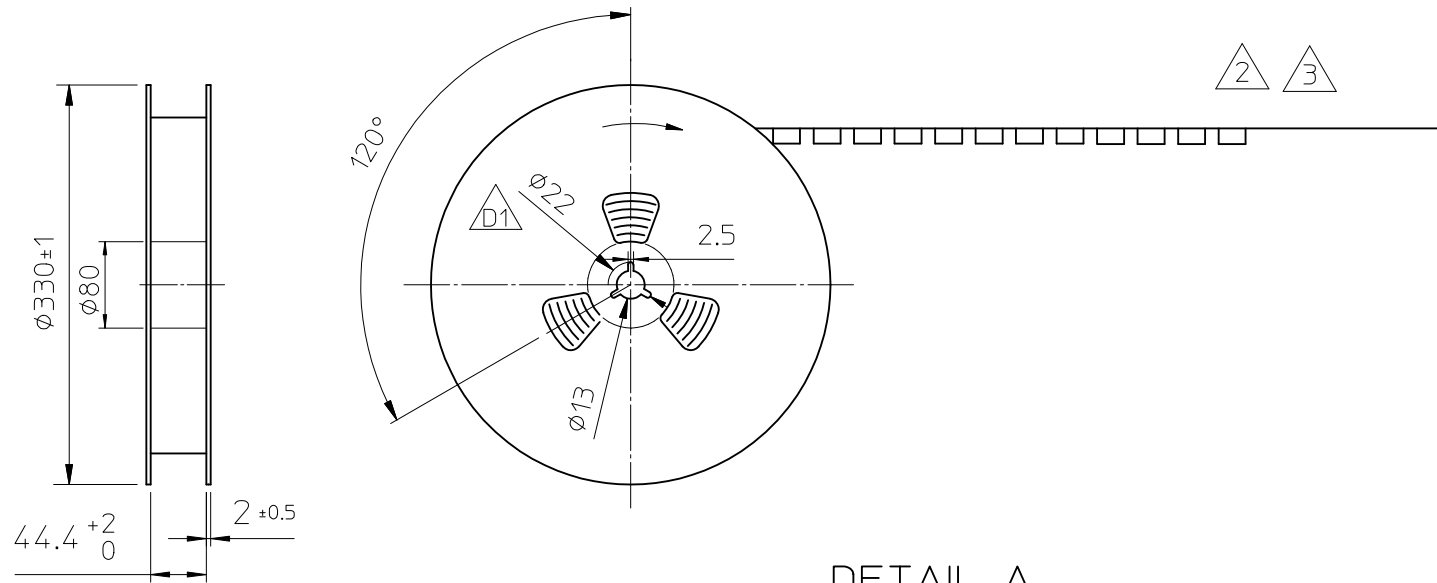


NOTE:
 1. STAPLES SHOULD ONLY BE USED TO SET UP CARTON
 ALL CARTONS CLOSURES MUST BE DONE WITH TAPE.
 2. FILL PACKAGING REEL WITH THE QUANTITIES AS INDICATED
 IN THE CHART.

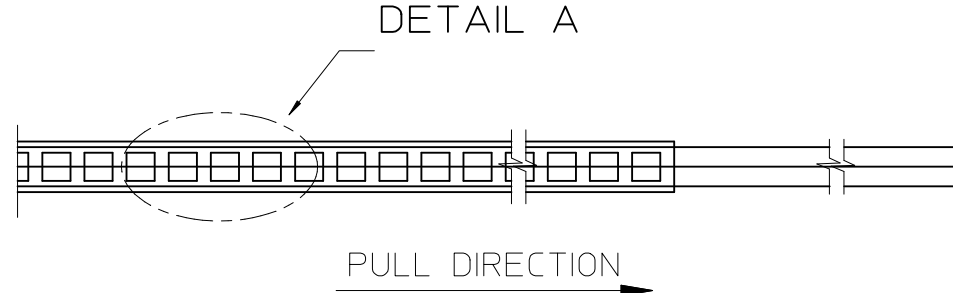
PRODUCT P/N	PARTS PER PRIMARY CARTON	PARTS PER REEL (S.P.Q)	TOTAL REELS PER PRIMARY CARTON
48338-X040	2250 (PCS)	750 (PCS)	3
48338-X052	1500 (PCS)	500 (PCS)	3
48338-X056	1500 (PCS)	500 (PCS)	3
48338-X057	1500 (PCS)	500 (PCS)	3
48338-X065	1350 (PCS)	450 (PCS)	3
48338-X068	1350 (PCS)	450 (PCS)	3
48338-X070	1350 (PCS)	450 (PCS)	3
48338-X075	1200 (PCS)	400 (PCS)	3
48338-X080	1050 (PCS)	350 (PCS)	3
48338-X085	1050 (PCS)	350 (PCS)	3
48338-X088	900 (PCS)	300 (PCS)	3
48338-X090	900 (PCS)	300 (PCS)	3
48338-X099	900 (PCS)	300 (PCS)	3



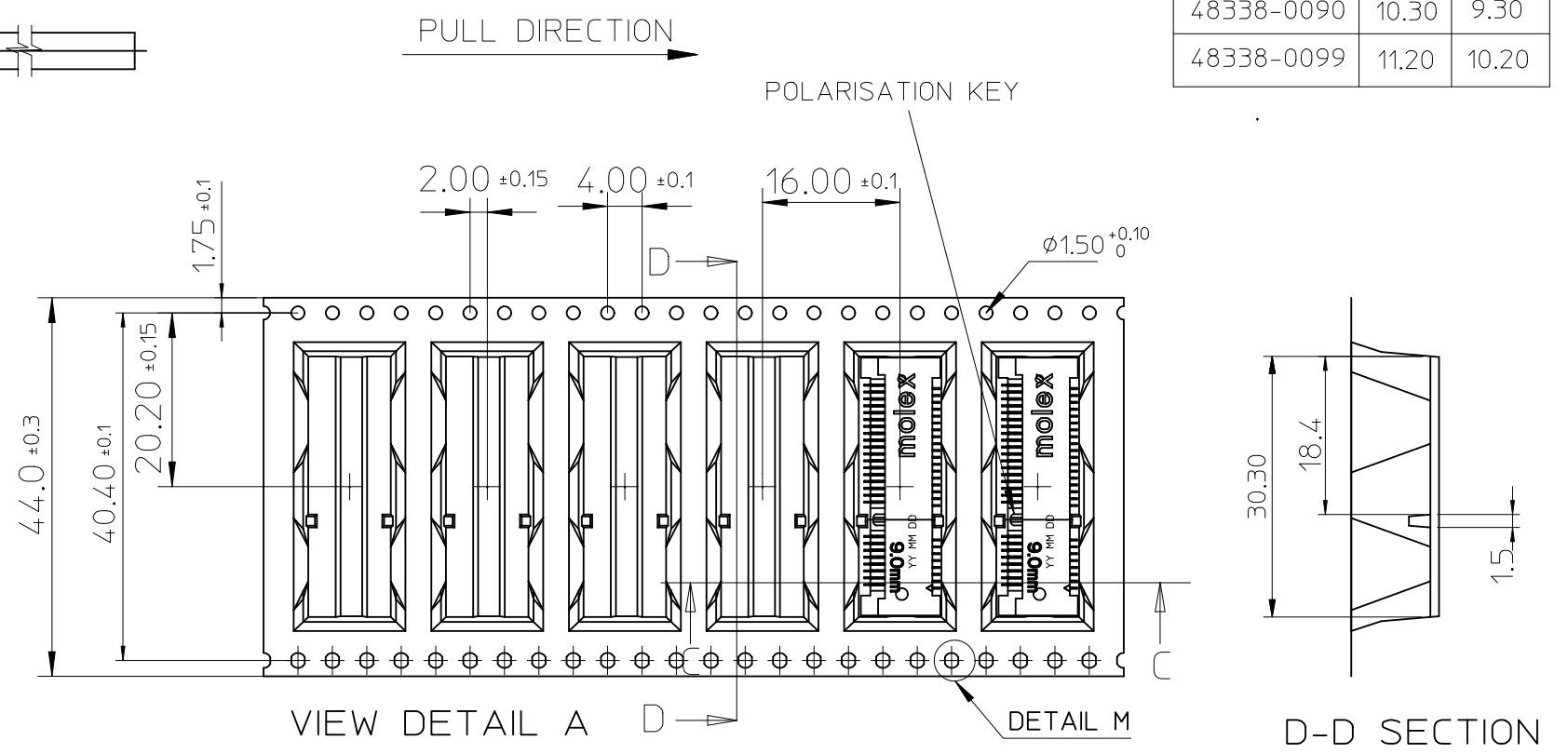
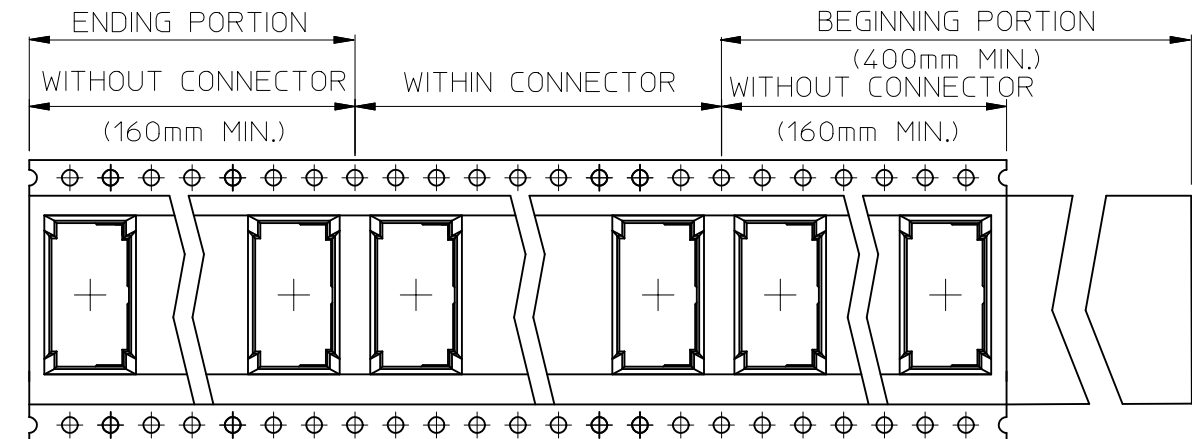
AMEND ERROR EC NO: S2010-0620 DRWN: JESSIECHUA 2010/01/26 CHKD: LNG 2010/02/02 APPR: NAGESHKN 2010/02/03	QUALITY SYMBOLS $F_A=0$ $F_E=0$ $F_P=0$	GENERAL TOLERANCES (UNLESS SPECIFIED)		DIMENSION STYLE MM ONLY	SCALE NTS	DESIGN UNITS METRIC	THIRD ANGLE PROJECTION		
		mm	INCH	DRAWN BY	DATE	TITLE PACKAGING FOR MINI PCI EXPRESS			
	4 PLACES	± ---	± ---	E.K.	2008/10/21				
	3 PLACES	± ---	± ---	CHECKED BY	DATE	MOLEX INCORPORATED			
2 PLACES	± 0.25	± ---	DAVID ZHANG	2008/10/28					
1 PLACE	± 0.25	± ---	APPROVED BY	DATE	MOLEX INCORPORATED DOCUMENT NO. PK-48338-002 SHEET NO. 1 OF 3				
ANGULAR ± 3 °		DRAFT WHERE APPLICABLE MUST REMAIN WITHIN DIMENSIONS		HARVEY WANG					2008/10/28
				MATERIAL NO.	THIS DRAWING CONTAINS INFORMATION THAT IS PROPRIETARY TO MOLEX INCORPORATED AND SHOULD NOT BE USED WITHOUT WRITTEN PERMISSION				
				SEE TABLE					
				SIZE A3					



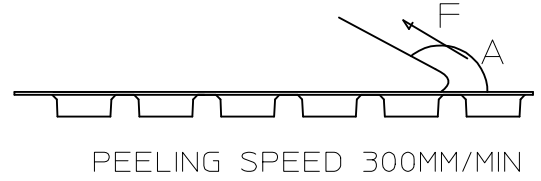
PRODUCT P/N	DIM A	DIM B
48338-0040	5.30	4.30
48338-0052	6.50	5.50
48338-0056	7.05	6.05
48338-0057	7.05	6.05
48338-0065	7.80	6.80
48338-0068	8.10	7.10
48338-0070	8.30	7.30
48338-0075	8.80	7.80
48338-0080	9.30	8.30
48338-0085	9.80	8.80
48338-0088	10.30	9.30
48338-0090	10.30	9.30
48338-0099	11.20	10.20



NOTE:
 1. QUANTITY: SEE PAGE 1.
 2. USER DIRECTION OF FEED



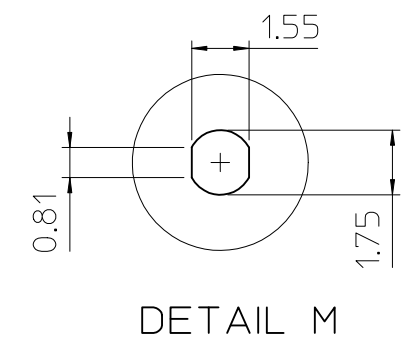
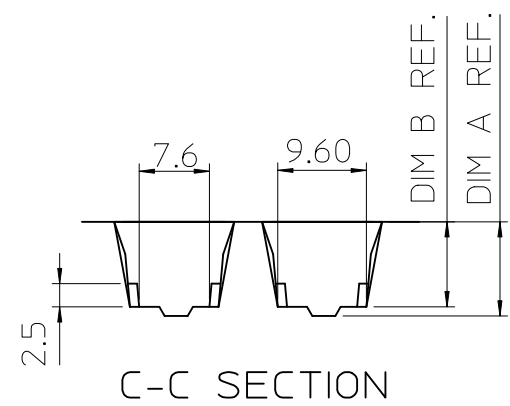
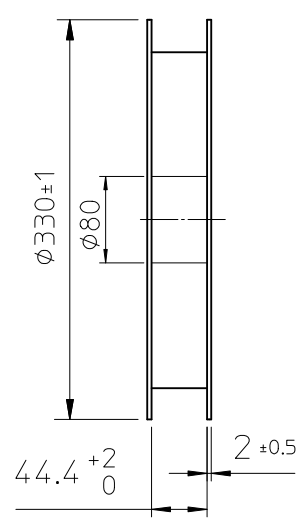
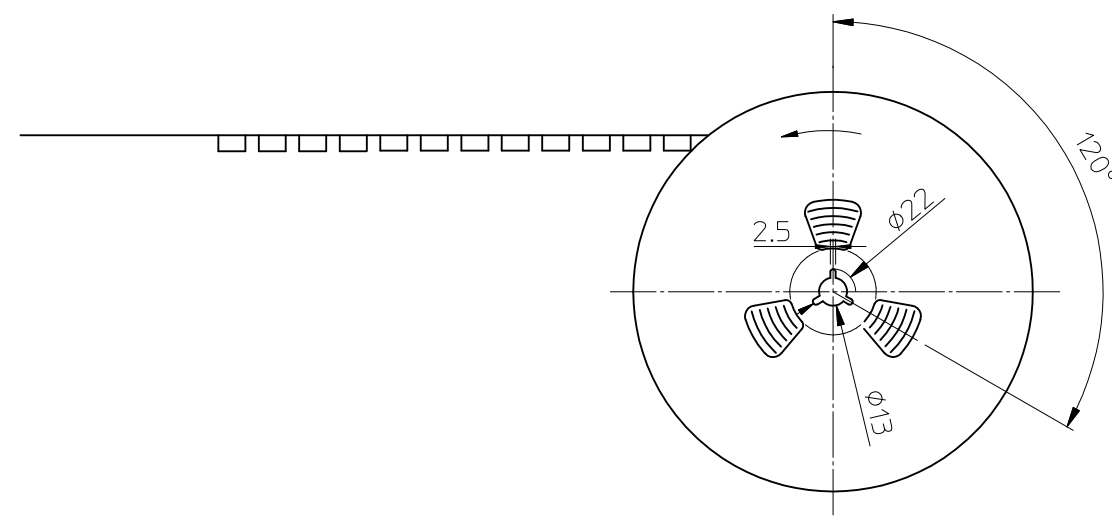
3. COVER TAPE PEELING FORCE:
 PULL OUT DIRECTION



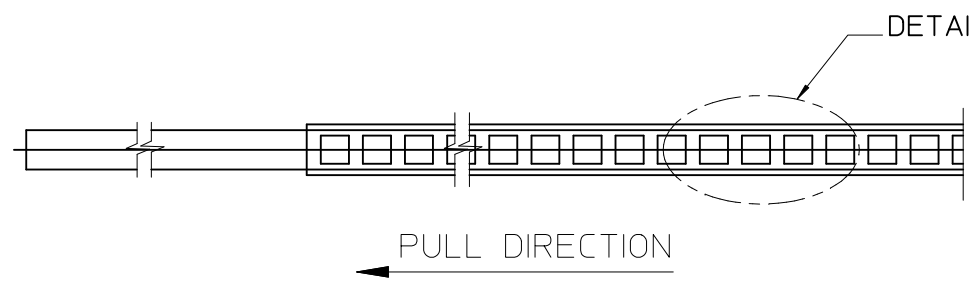
A	165°~ 180°
F	0.1N~1.3N

4. PART DIMENSIONS MEET EIA-481-2-A REQUIREMENT

AMEND ERROR EC NO: S2010-0620 DRWN: JESSIECHUA 2010/02/02 CHKD: LNG 2010/02/02 APPR: NAGESHKN 2010/02/03	QUALITY SYMBOLS	GENERAL TOLERANCES (UNLESS SPECIFIED)		DIMENSION STYLE MM ONLY		SCALE NTS	DESIGN UNITS METRIC	THIRD ANGLE PROJECTION	
	$\nabla_A = 0$	4 PLACES	± ---	± ---	mm	INCH	DRAWN BY E.K.	DATE 2008/10/21	TITLE PACKAGING FOR MINI PCI EXPRESS
	$\nabla_F = 0$	3 PLACES	± ---	± ---	± 0.25	± ---	CHECKED BY DAVID ZHANG	DATE 2008/10/28	
	$\nabla_P = 0$	2 PLACES	± 0.25	± ---	± 0.25	± ---	APPROVED BY HARVEY WANG	DATE 2008/10/28	
		1 PLACE	± 0.25	± ---	ANGULAR ± 3°		MATERIAL NO. SEE TABLE	DOCUMENT NO. PK-48338-002	SHEET NO. 2 OF 3
		DRAFT WHERE APPLICABLE MUST REMAIN WITHIN DIMENSIONS		THIS DRAWING CONTAINS INFORMATION THAT IS PROPRIETARY TO MOLEX INCORPORATED AND SHOULD NOT BE USED WITHOUT WRITTEN PERMISSION					



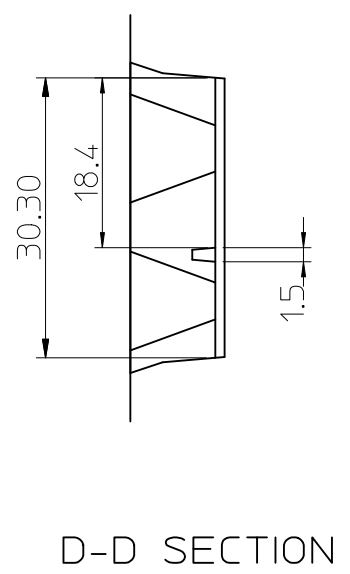
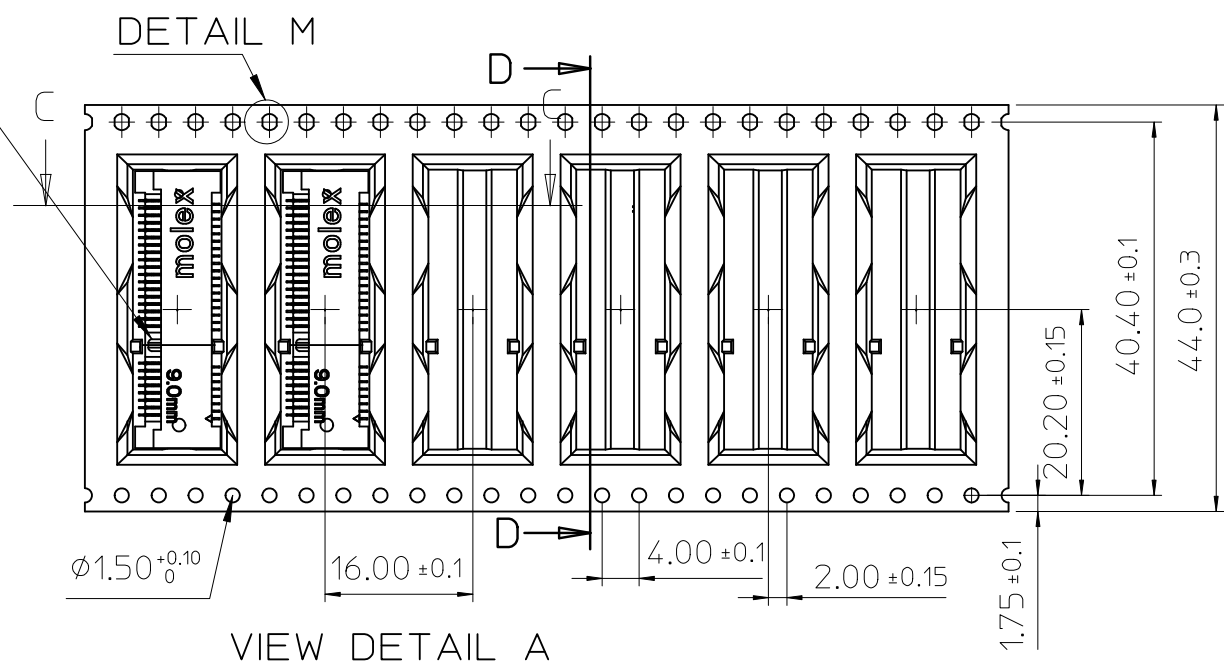
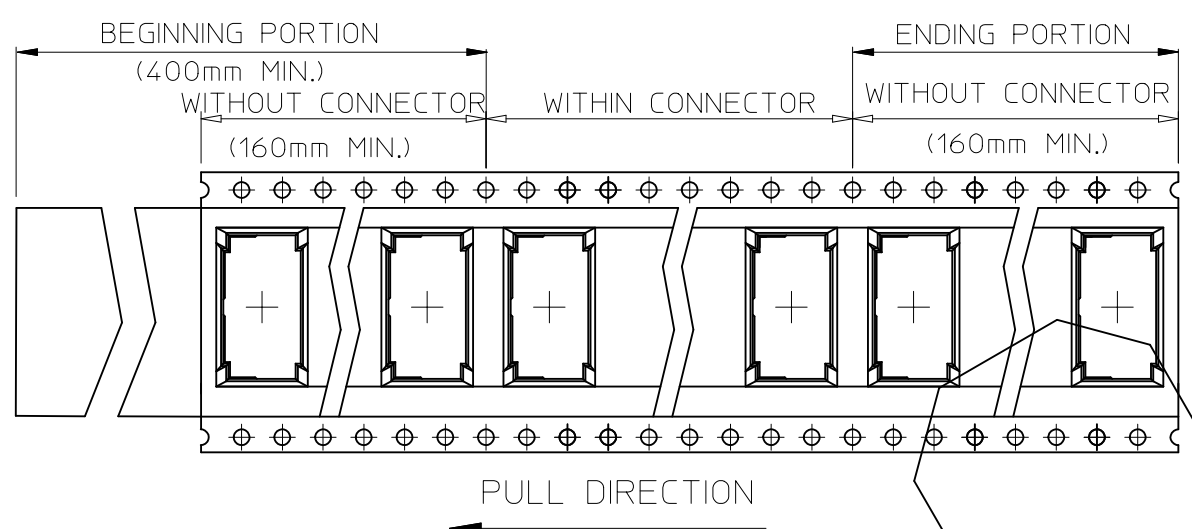
PRODUCT P/N	DIM A	DIM B
48338-1040	5.30	4.30
48338-1052	6.50	5.50
48338-1056	7.05	6.05
48338-1057	7.05	6.05
48338-1065	7.80	6.80
48338-1068	8.10	7.10
48338-1070	8.30	7.30
48338-1075	8.80	7.80
48338-1080	9.30	8.30
48338-1085	9.80	8.80
48338-1088	10.30	9.30
48338-1090	10.30	9.30
48338-1099	11.20	10.20



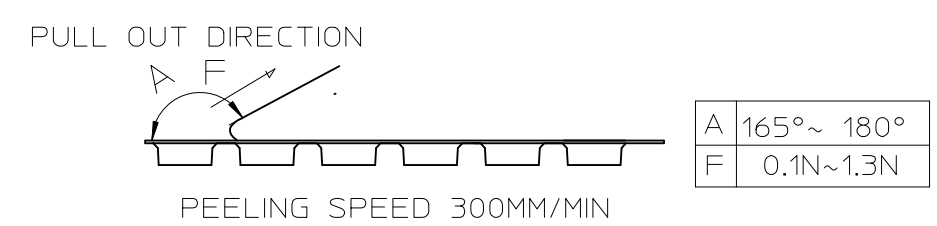
POLARISATION KEY

PULL DIRECTION

NOTE:
 1. QUANTITY: SEE PAGE 1.
 2. USER DIRECTION OF FEED



3. COVER TAPE PEELING FORCE:



4. PART DIMENSIONS MEET EIA-481-2-A REQUIREMENT

AMEND ERROR EC NO: S2010-0620 DRWN: JESSIECHUA 2010/01/26 CHKD: LING 2010/02/02 APPR: NAGESHK 2010/02/03	QUALITY SYMBOLS	GENERAL TOLERANCES (UNLESS SPECIFIED)	DIMENSION STYLE	SCALE	DESIGN UNITS	THIRD ANGLE PROJECTION
	$\nabla_A = 0$ $\nabla_E = 0$ $\nabla_P = 0$	mm INCH 4 PLACES ± --- ± --- 3 PLACES ± --- ± --- 2 PLACES ± 0.25 ± --- 1 PLACE ± 0.25 ± --- ANGULAR ± 3°	MM ONLY	NTS	METRIC	
	REV	DESCRIPTION	DRAFT WHERE APPLICABLE MUST REMAIN WITHIN DIMENSIONS	DRAWN BY DATE E.K. 2008/10/21 CHECKED BY DATE DAVID ZHANG 2008/10/28 APPROVED BY DATE HARVEY WANG 2008/10/28 MATERIAL NO.	TITLE PACKAGING FOR MINI PCI EXPRESS MOLEX INCORPORATED DOCUMENT NO.	SHEET NO. 3 OF 3
	SIZE A3	SEE TABLE PK-48338-002	THIS DRAWING CONTAINS INFORMATION THAT IS PROPRIETARY TO MOLEX INCORPORATED AND SHOULD NOT BE USED WITHOUT WRITTEN PERMISSION			