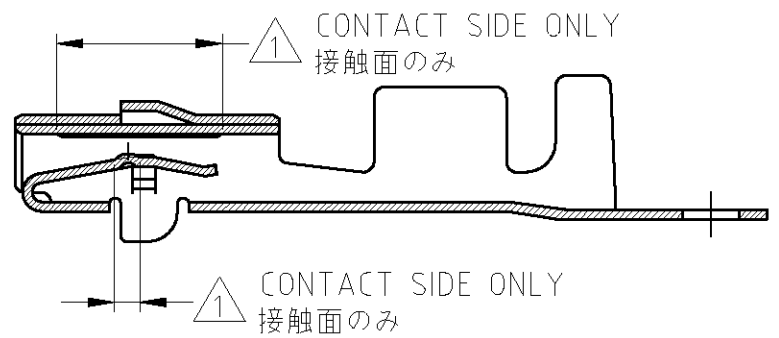
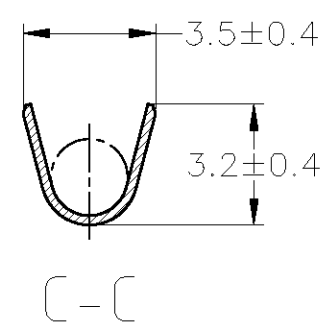
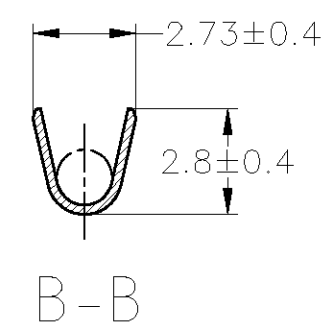
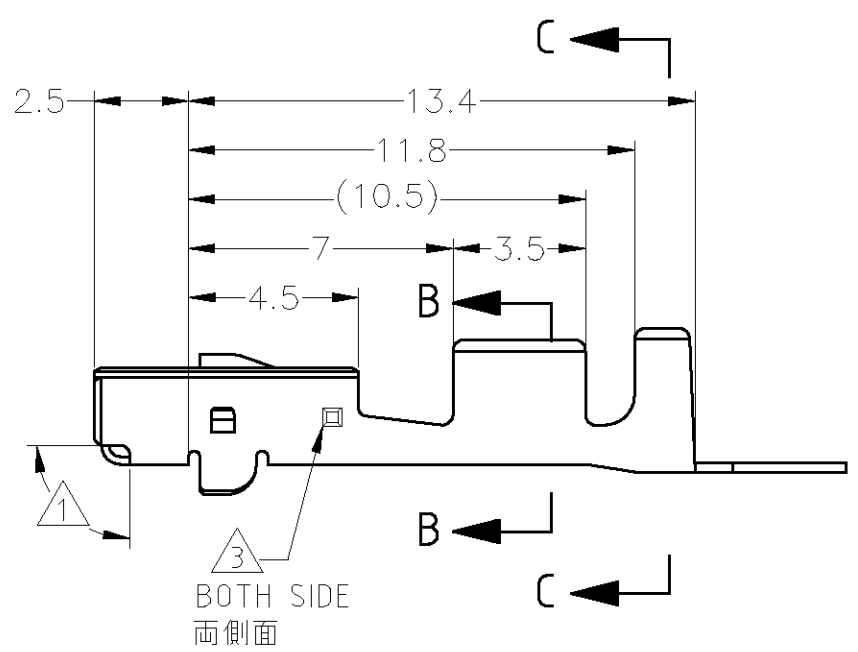
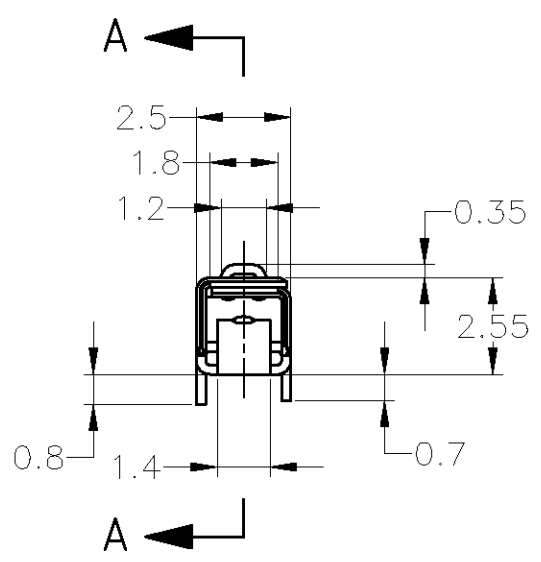
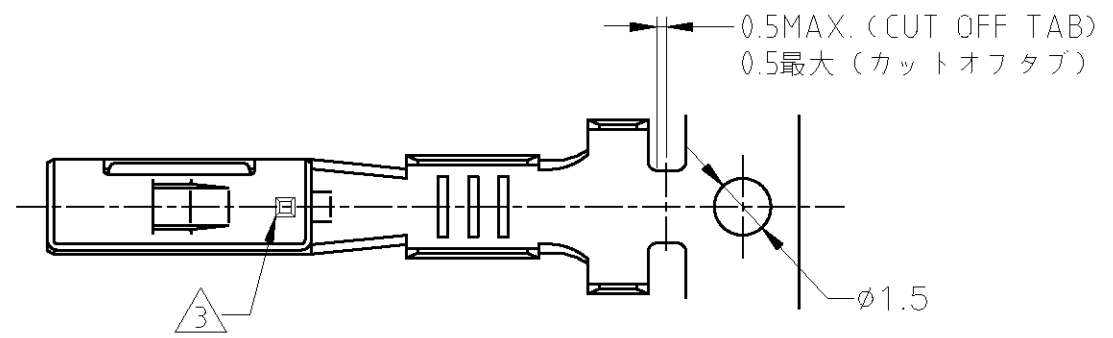


THIS DRAWING IS UNPUBLISHED. RELEASED FOR PUBLICATION
 © COPYRIGHT - By Tyco Electronics JAPAN G.K. ALL RIGHTS RESERVED.

LOC	DIST	REVISIONS			
P	LTR	DESCRIPTION	DATE	DWN	APVD
J	-	F1	REDRAWN W/CHANGE	ECR-12-012125	05JUL2012 TS KB



- ① SELECTIVE GOLD
 - ② APPLICATION SPEC NO. 114-5160
 - ③ GOLD PLATING DISCERNMENT STAMP
- ① 部分金めっき
 - ② 取付適用規格番号 114-5160
 - ③ 金めっき識別用刻印

ZKLF-5	-	SELECTIVE GOLD	175276-5
BRASS	179426-2	SELECTIVE GOLD	175276-2
MATERIAL	LOOSE PIECE CONTACT PN	FINISH	PART NUMBER

THIS DRAWING IS A CONTROLLED DOCUMENT.

DIMENSIONS:	TOLERANCES UNLESS OTHERWISE SPECIFIED:
mm	0 PLC ± -
	1 PLC ± -
	2 PLC ± -
	3 PLC ± -
	4 PLC ± -
	ANGLES ± -
MATERIAL	FINISH
SEE TABLE	SEE TABLE

TOLERANCES UNLESS OTHERWISE SPECIFIED:

10 ≥	: ±0.2
30 ≥ > 10	: ±0.25
100 ≥ > 30	: ±0.3
ANGLE	: ±3°

DWN T.SHINOHARA 05JUL2012
 CHK K.BETSUI 05JUL2012
 APVD K.BETSUI 05JUL2012

STE TE Connectivity

NAME: 070II SERIES M RECEPTACLE CONTACT

APPLICATION SPEC: SEE NOTE

WEIGHT: 0.28 g

SIZE: A3 CAGE CODE: 00779 DRAWING NO: C-175276 RESTRICTED TO: -

CUSTOMER DRAWING SCALE: 5:1 SHEET: 1 OF 1 REV: F1