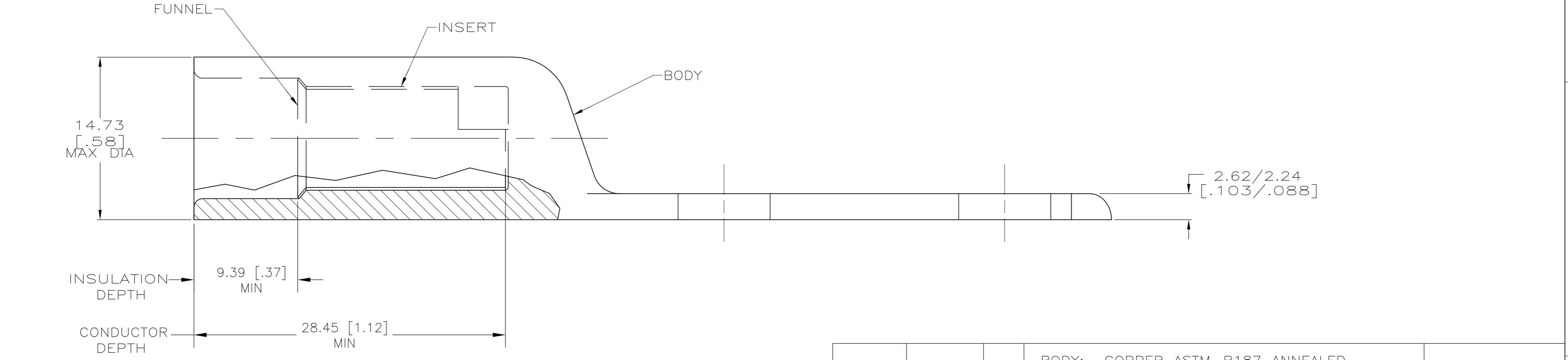
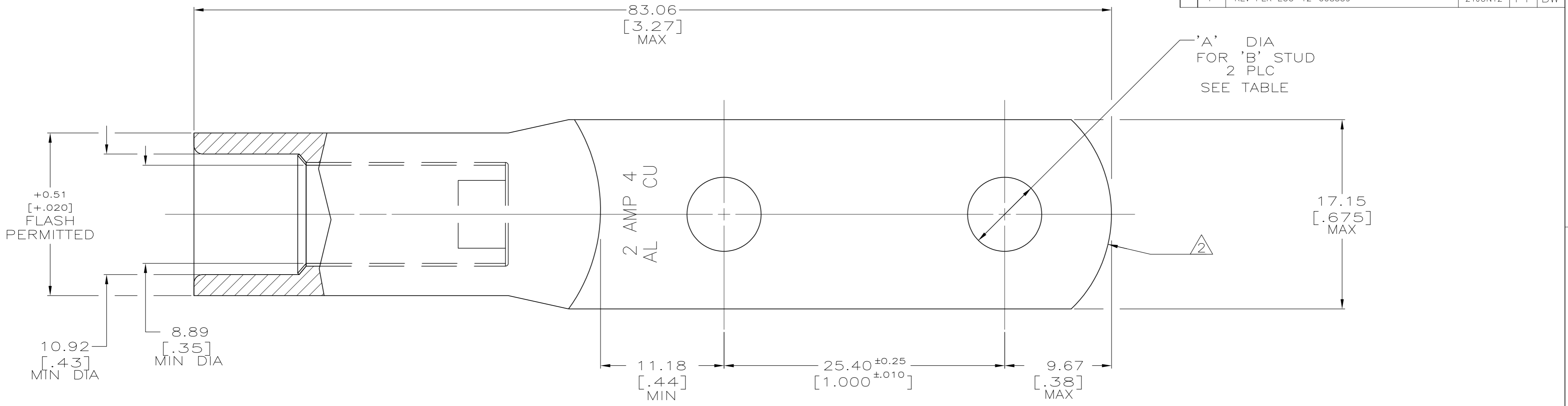


THIS DRAWING IS UNPUBLISHED. RELEASED FOR PUBLICATION  
 © COPYRIGHT - By - ALL RIGHTS RESERVED.

LOC		DIST		REVISIONS					
G		86		P	LTR	DESCRIPTION	DATE	DWN	APVD
				F		REV PER ECO-12-008339	21JUN12	PY	BW



1 WIRE INSULATION: 8.64[.340] - 9.65[.380] DIA

△ THE TONGUE RADIUS FEATURE IS NOT A TOOLING CONTROLLED DIMENSION AND MAY NOT BE A TRUE RADIUS.

43 GRAMS	9.9 ±0.13 [0.390 ±0.005]	3/8	BODY: COPPER ASTM-B187 ANNEALED TIN PL MIL-T-10727 0.00457[0.000150] MIN THK	55835-2
44 GRAMS	6.73 ±0.13 [0.265 ±0.005]	1/4	INSERT & FUNNEL: BRASS PER ASTM B36 NICKEL PLATE SAE AMS QQ-N-290A, DATED JULY 2000, 0.00254 [0.000100] MIN THK	55835-1
WEIGHT	"A"	"B"	MATERIAL AND FINISH	PART NO.

THIS DRAWING IS A CONTROLLED DOCUMENT.		DWN DK SCHRUM 6/15/92	<b>TE</b> TE Connectivity	
DIMENSIONS: MM [ INCHES ]		CHK WJ VOCKROTH 6/16/92		
TOLERANCES UNLESS OTHERWISE SPECIFIED:		APVD AJ KAUFMAN 6/16/92	NAME	
0 PLC ± -		PRODUCT SPEC	WIRE TERMINAL, COPALUM	
1 PLC ± -		108-11011	SEALED, RING TONGUE,	
2 PLC ± -		APPLICATION SPEC	WIRE SIZE: 2 AL, 4 COPPER	
3 PLC ± -		114-2134	SIZE	CAGE CODE
4 PLC ± -		WEIGHT SEE TABLE	A2	00779
ANGLES ± -		CUSTOMER DRAWING	DRAWING NO	RESTRICTED TO
FINISH SEE TABLE		SCALE 4:1	SHEET 1 of 1	REV F