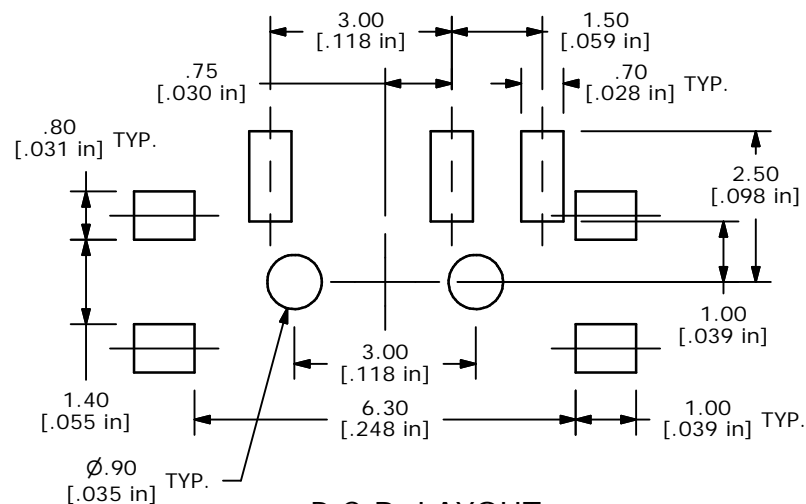
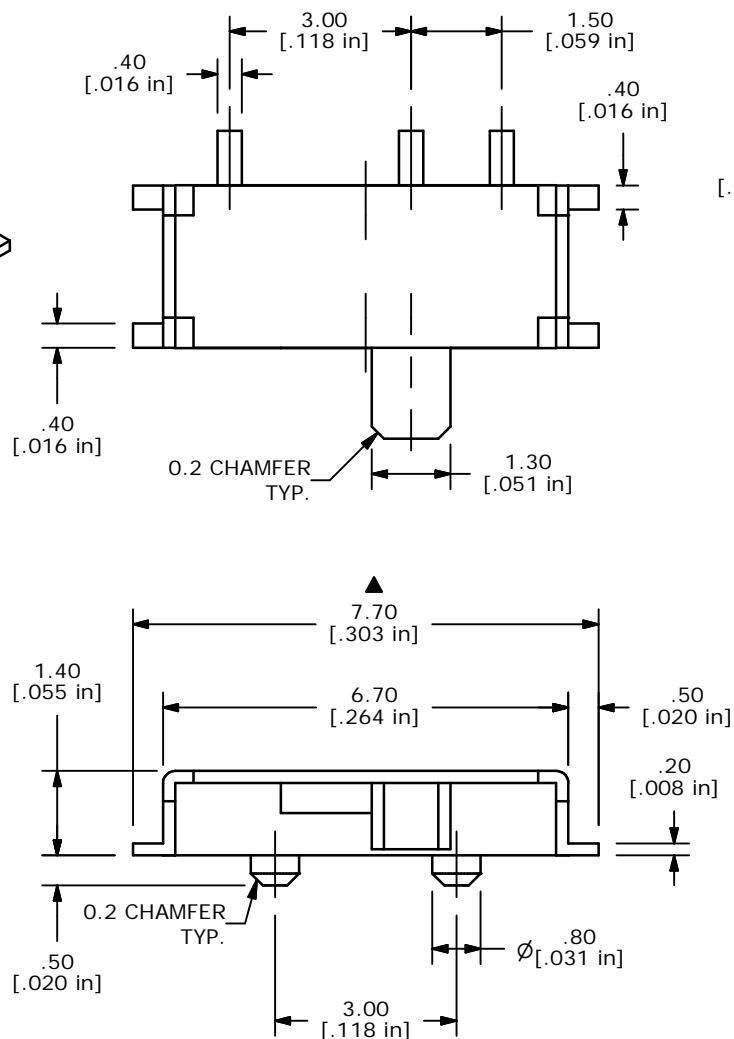
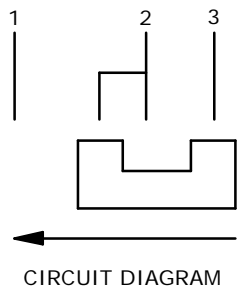
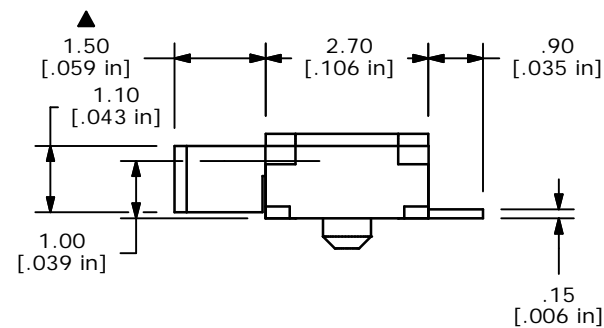


ISOMETRIC



P.C.B. LAYOUT



NOTES:

1. ALL DIMENSIONS IN MM [INCH]
2. GENERAL TOLERANCE: X.X=±0.4  
X.XX=±0.25
3. TERM. NOS. FOR REF. ONLY
4. RATING: 0.3A, 4VDC
- ▲ 5. PLATING: 40 MICRO INCHES NICKLE  
W/10 MICRO INCHES OF GOLD
5. OPERATING FORCE: 150±100GF
6. OPERATING LIFE: 10,000 CYCLES
7. TRAVEL: 1.50MM
8. ▲DENOTES CRITICAL PARAMETER.

**E-SWITCH®**

A	14333	RELEASED FOR PRODUCTION	9/21/04	AR
REV	PCR NO	DESCRIPTION	DATE	BY

THE INFORMATION CONTAINED IN THIS DOCUMENT IS PROPRIETARY TO E-SWITCH AND IS NOT TO BE COPIED OR TRANSFERRED

TITLE EG1260ASR				
SCALE	DATE	DR	DWG	REV
4:1	9/21/04	AR	D041203	A