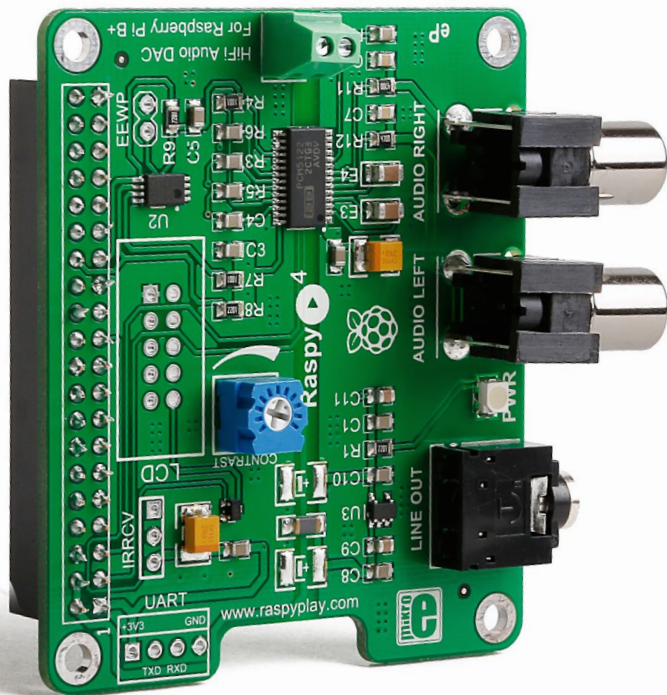


RaspyPlay4

Hi fidelity sound reproduction

for the Raspberry Pi B+



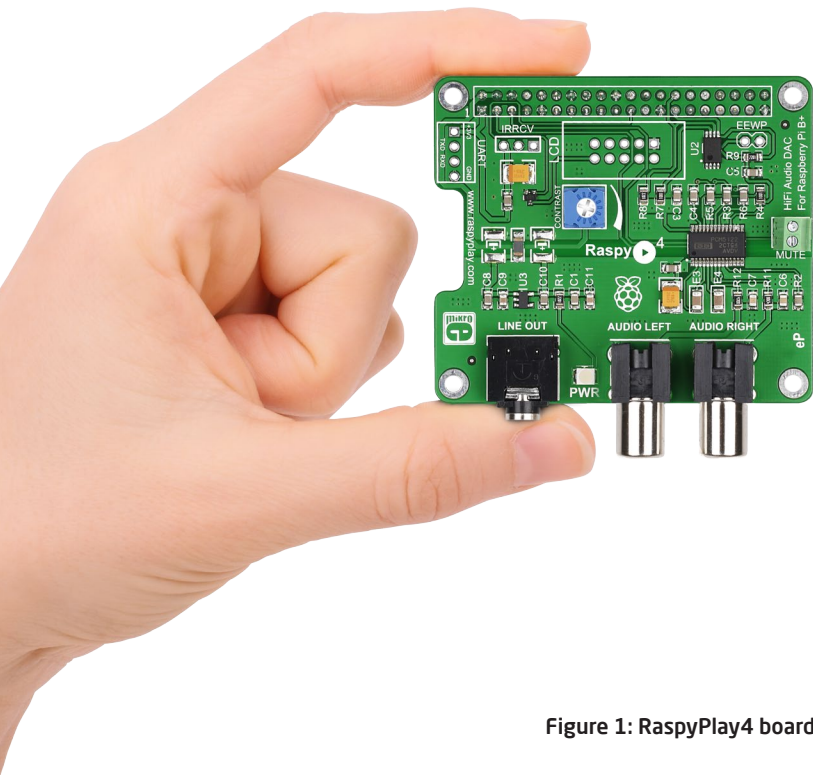


Figure 1: RaspyPlay4 board

Ever since its inception, **Raspberry Pi** has been a popular solution for home multimedia centers for many people. But the poor sound reproduction abilities of the Pi were a deal-breaker for anyone remotely interested in Hi-Fi. Not anymore. Play hi-quality audio from your **Raspberry Pi B+** with RaspyPlay4. This add-on board features the PCM5122 DAC with excellent dynamic performance for audiophile-worthy reproduction of your favorite music, on a budget. It supports FLAC, ALAC, MP3 and WMA sound formats. Software-wise, it's compatible with several solutions, but we recommend RuneAudio. Store your favorite albums on USB flash, USB hard drive, SD Card, on a NAS server, or even stream it through AirPlay – RaspyPlay4 supports it all. Kick your feet up, relax and enjoy.

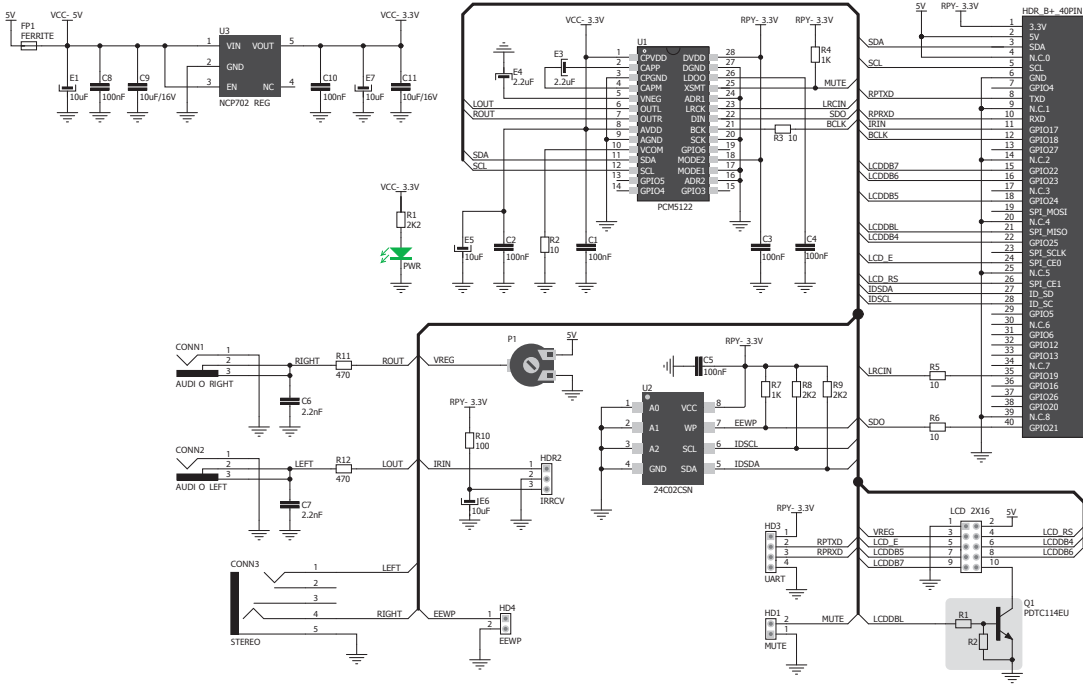


Figure 2: RaspyPlay4 schematic

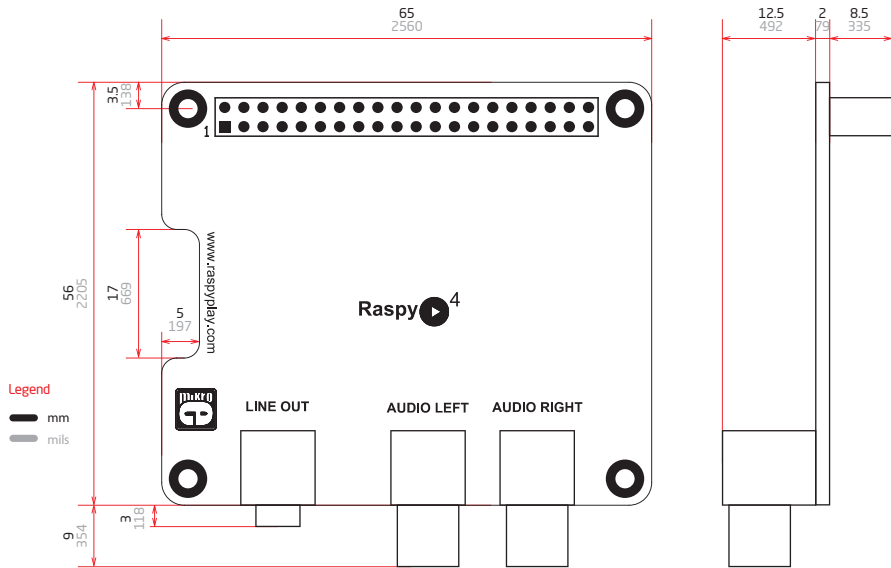


Figure 4: Board dimensions



If you want to learn more about our products, please visit our website at **www.mikroe.com**

If you are experiencing some problems with any of our products or just need additional information, please place your ticket at **www.mikroe.com/support**

If you have any questions, comments or business proposals,
do not hesitate to contact us at **office@mikroe.com**