



D

C

B

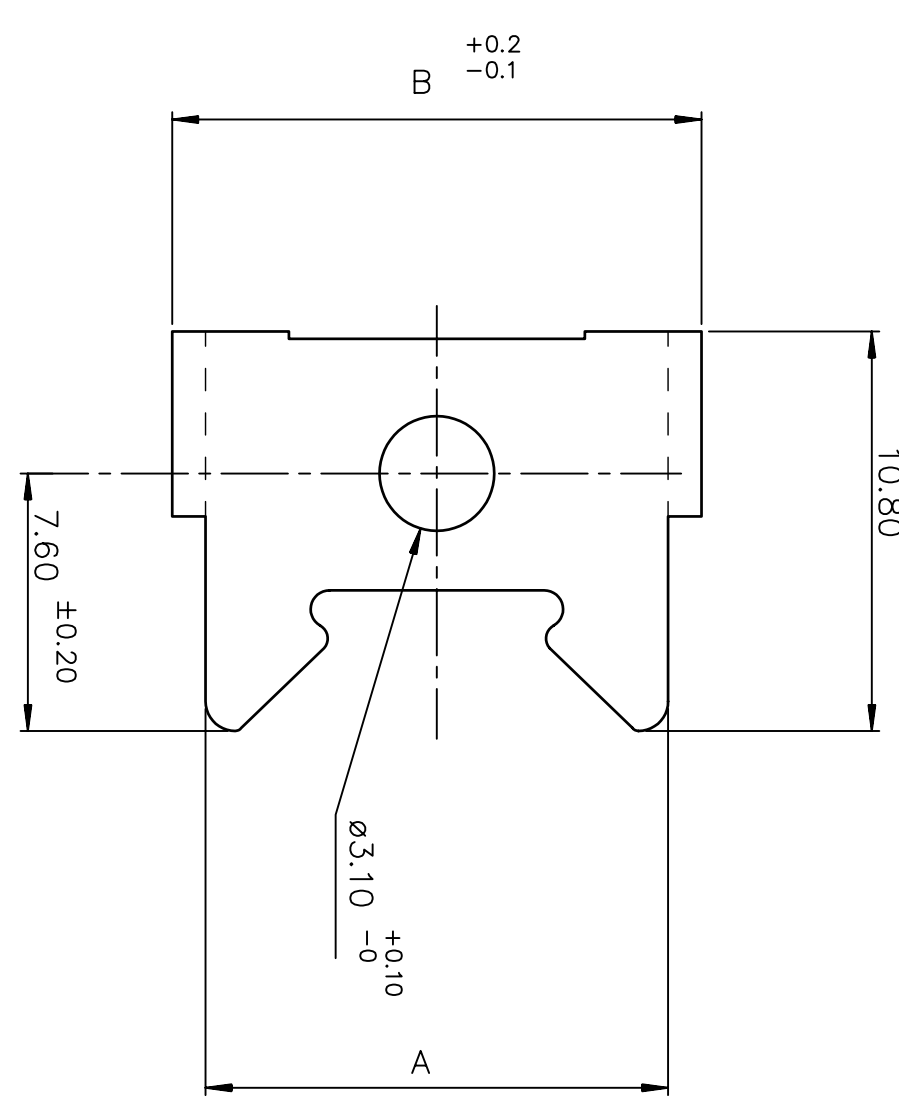
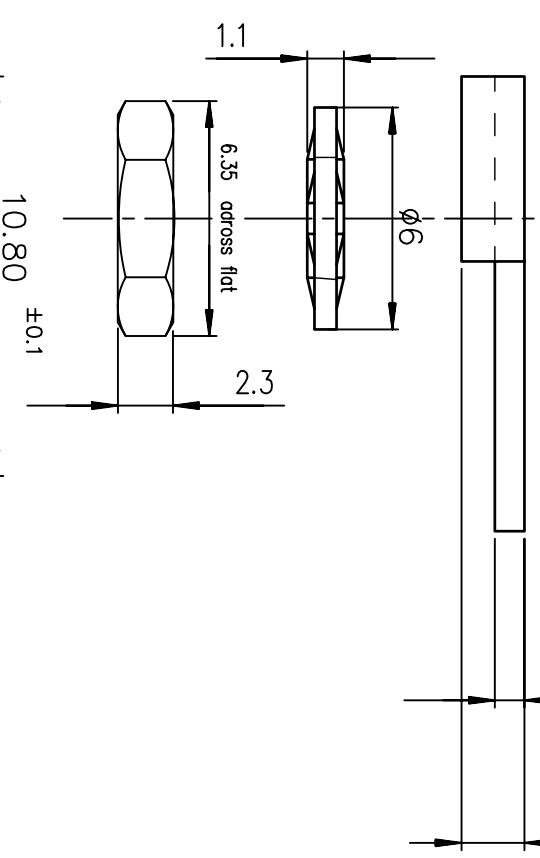
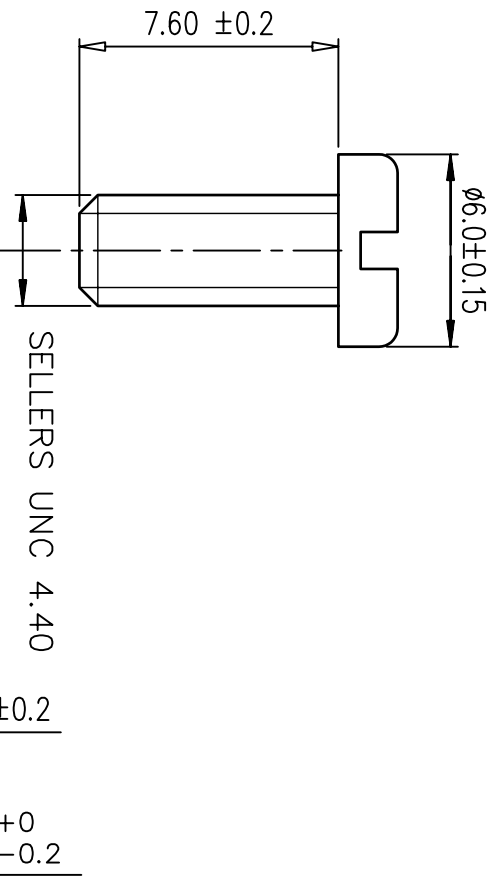
A

1

2

3

4



PART NUMBER	PACKAGING	A	B
86303425060LF	per 100 pieces	12.50	14.30
86303426060LF	per 100 pieces	15.40	17.10

NOTE1:ROHS INFORMATIONS

- The "LF" product meets European union Directives and other country regulations as described in GS-22-008.
- The product is not intended to be exposed to a manufacturing solder process.
- Plating: Zinc Cr3+, white color.
- Packaging spec: see GS-14-920.

rev	ecn no	dr	date
A	LS05-0123	LGO	2006/01/12
B	LS06-0095	LGO	2006/06/24
C	110-0056	AMR	2010/02/22
D	111-0022	AMR	2011/01/25
E	111-0070	AMR	2011/04/18
F	ELX-H-01693	PK	2012/05/22

www.fciconnect.com		surface	ISO 1302	tolerance std	ISO 406 ISO 1101	projection	mm
Dr	GOISNARD	ANGULAR	✓	TOLERANCES UNLESS OTHERWISE SPECIFIED		⊕	European Views
Eng	PESSON	LINEAR		0.X	±0.1	⊕	Scale 5
Chr	ABHILASH	0.XX		0.XX	±0.1	A3	ECN ELX-H-011693
Appr	SUDHIR	±2		0.XXX	±0.1		Spec ref -
Product family		D-SUB					

FCI LEVER LOCKS FEMELLE
 (SHELL SIZE 09 15 25 37 50)
 Rev. F

REV F - 2006-04-17

1

2

3

4