

Electrical / Environmental

HM30

Surface Mount Current Sense



NEW

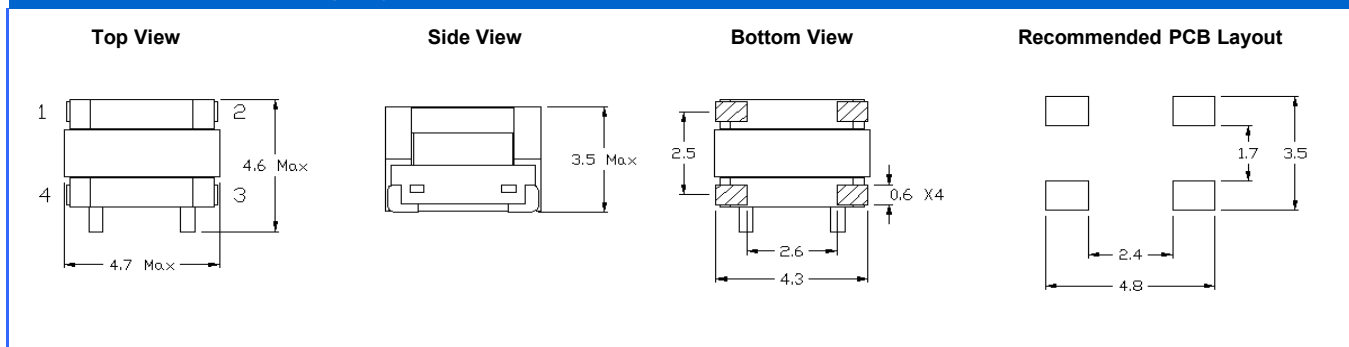
RoHS
Compliant

- Operating Temperature Range -40°C to +125°C
- Dielectric Withstanding Voltage 500Vac Pri to Sec

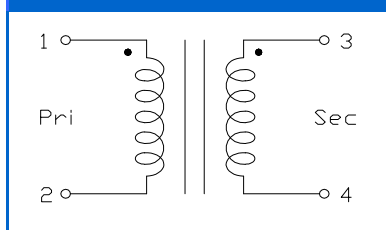
Specifications @ 25°C

Part Number	Turns Ratio Pri : Sec	Secondary Inductance μH Min.	DCR		Primary Current Rating A
			Primary $\text{m}\Omega$ Max.	Secondary $\text{m}\Omega$ Max.	
HM30-4735150LF	1 : 150	2000	2.5	21800	7.5
HM30-4735125LF	1 : 125	1450	2.5	16900	7.5
HM30-4735100LF	1 : 100	930	2.5	13300	7.5
HM30-473590LF	1 : 90	750	2.5	8300	7.5
HM30-473580LF	1 : 80	590	2.5	6700	7.5
HM30-473570LF	1 : 70	450	2.5	6000	7.5
HM30-473550LF	1 : 50	230	2.5	2500	7.5
HM30-473540LF	1 : 40	145	2.5	1900	7.5
HM30-473530LF	1 : 30	80	2.5	1000	7.5
HM30-473520LF	1 : 20	37	2.5	600	7.5

Outline Dimensions (mm)



Schematic



Ordering Information

