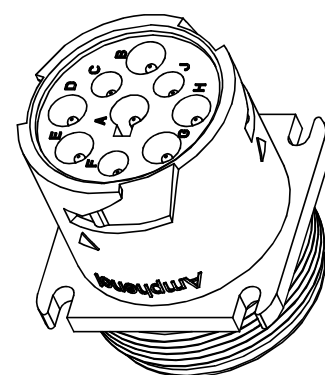
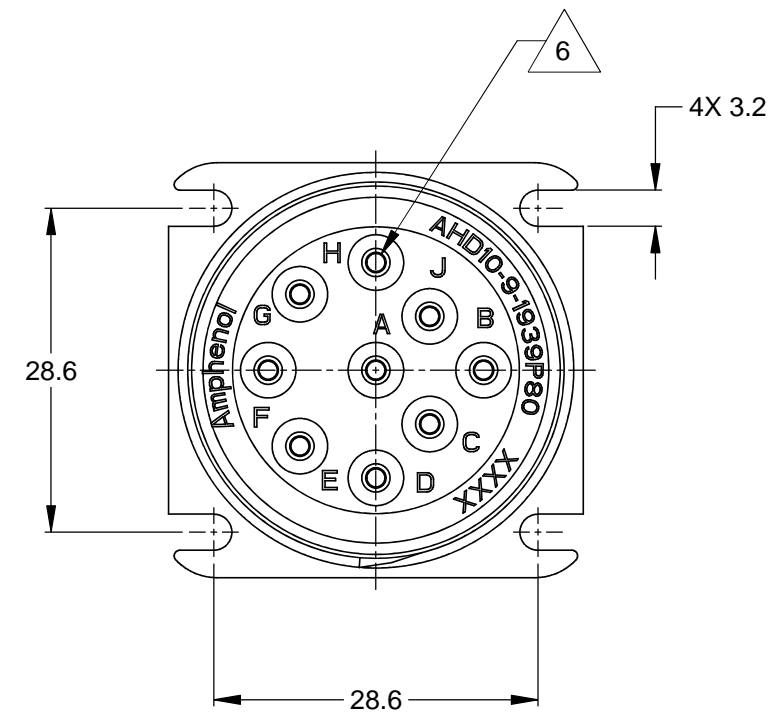
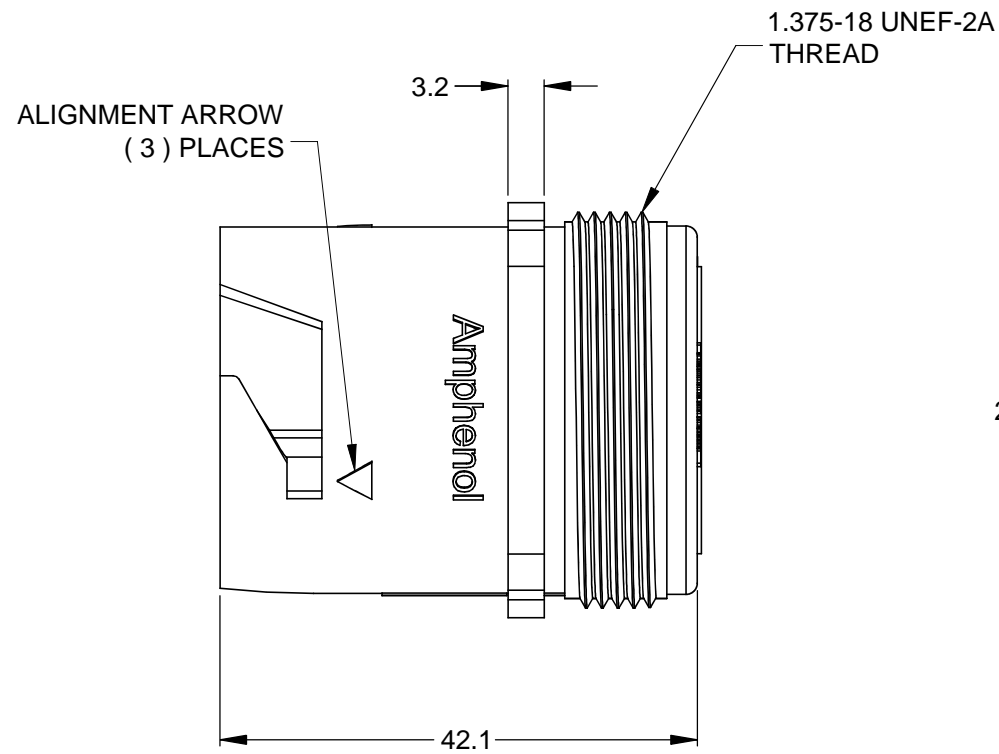
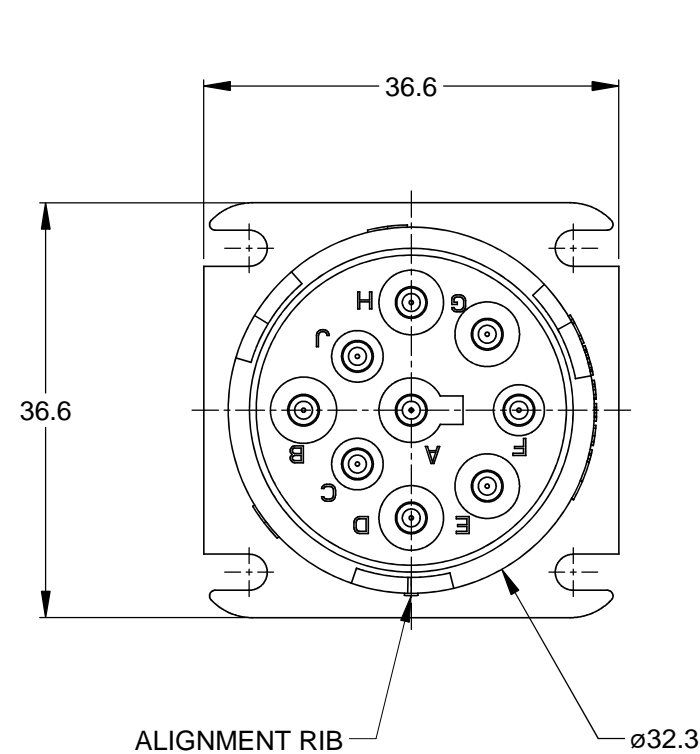


REVISIONS					
REV	ECO	DESCRIPTION	DATE	BY	APPR
A2		RELEASE NEW DWG FORMAT	04DEC13	DRP	



3D VIEW

NOTES: UNLESS OTHERWISE SPECIFIED

- MATERIAL:
HOUSING: THERMOPLASTIC; COLOR: GREEN
SEAL: SILICONE RUBBER
- MODIFICATIONS: J1939 TYPE 2 KEY ARRANGEMENT;
OPTIONAL REDUCED DIA. WIRE SEAL
(SEE NOTE 6)
- SPECIFICATIONS:
 - CURRENT RATING: 13 AMPS
 - OPERATING TEMPERATURE: -55°C TO +125°C.
 - DIELECTRIC WITHSTANDING VOLTAGE: LESS THAN 2 MILLIAMPS CURRENT LEAKAGE @ 1500 VOLTS AC.
 - INSULATION RESISTANCE: 1000 MEGOHM MIN @ 25°C.
 - MOISTURE RESISTANCE: IP67 (MATED CONDITION).
 - MATING CYCLE DURABILITY: 100 CYCLES
 - RoHS COMPLIANT
- MATING PART: AHD16-9-1939S8*
(* = AVAILABLE MODIFICATIONS)
- ALL DIMENSIONS ARE FOR REFERENCE USE ONLY.

6 CONTACT SIZE AND WIRE SEAL RANGE:

PART NUMBER	SEAL TYPE	CONTACT SIZE	MIN. INSUL O.D.	MAX. INSUL O.D.	TYPICAL WIRE RANGE
AHD10-9-1939P80	STANDARD	16	2.54 mm (.100 in)	3.81 mm (.150 in)	14 - 20 AWG
AHD10-9-1939P8R	REDUCED	16	1.35 mm (.053 in)	3.05 mm (.120 in)	14 - 20 AWG

QUANTITY	SEE NOTE 6	PART NUMBER	DESCRIPTION	ITEM
MATERIALS LIST				
UNLESS OTHERWISE SPECIFIED		SIGNATURES		DATE
1) All dimensions are in metric (mm). 2) Tolerances are as follows: 1 PL DEC ±0.30 2 PL DEC ±0.15 3 PL DEC ±0.08		DRAWN: D.PARKS		04DEC13
3) Note reference =		CHECKED:		
		ENGINEER:		
		APPROVAL:		
MATERIAL SPECIFICATIONS:		CUSTOMER:		
PROCESS SPECIFICATIONS:		THIS DRAWING IS SUPPLIED FOR INFORMATION ONLY. DESIGN FEATURES, SPECIFICATIONS AND PERFORMANCE DATA SHOWN HEREON ARE THE PROPERTY OF THE AMPHENOL CORPORATION. NO RIGHTS OF REPRODUCTION ARE IMPLIED. ALL DIMENSIONS ARE SUBJECT TO NORMAL MANUFACTURING VARIATIONS.		
NEXT ASSY:		SCALE: NONE		
		Amphenol		
		Sine Systems - www.amphenol-sine.com 44724 Morley Drive Clinton Township, MI 48036		
		RECEPTACLE, J1939-13 TYPE 2, 9 POSITION, SQUARE FLANGE, AHD SERIES		
SIZE	TYPE	DWG NO.	REVISION	
B	C-	AHD10-9-1939P8X	A2	
SHEET 1 OF 1				

TITLE: RECEPTACLE, J1939-13 TYPE 2, 9 POS. SQUARE FLANGE, AHD
DWG NO.: AHD10-9-1939P8X
REV: A2
SH: 1
OF: 1