

4

3

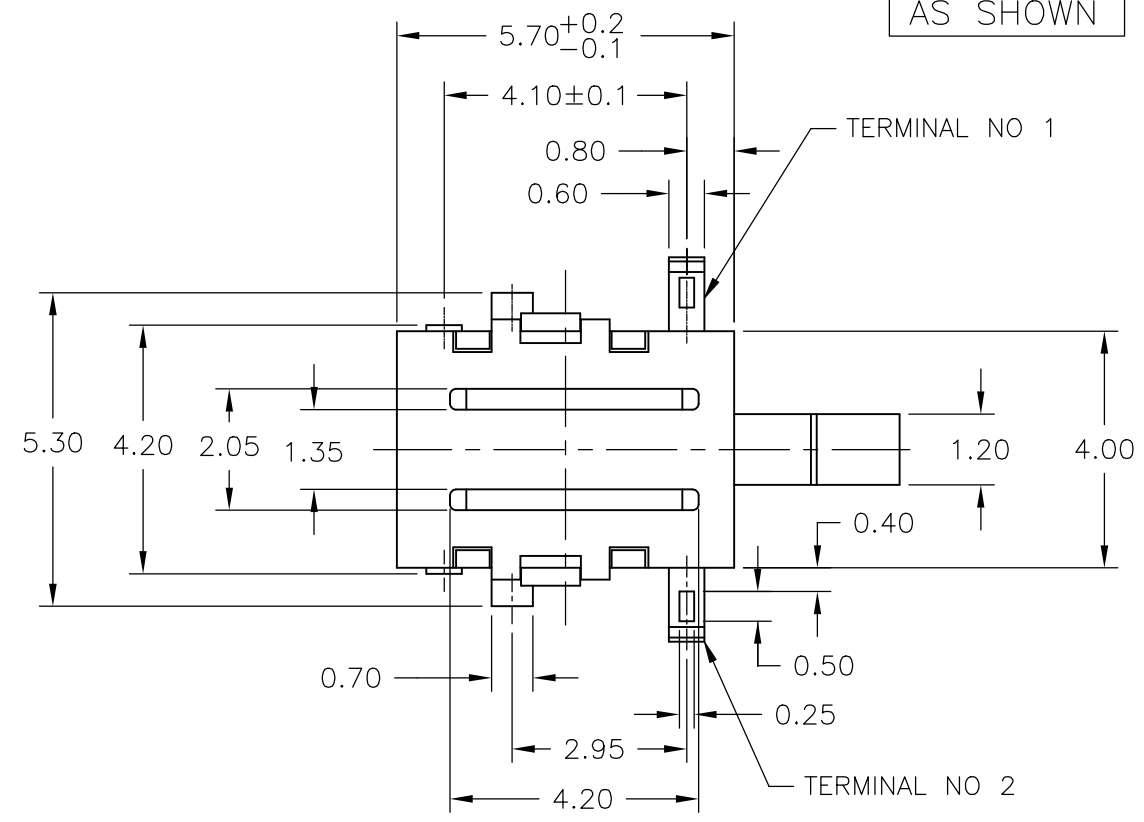
2

1

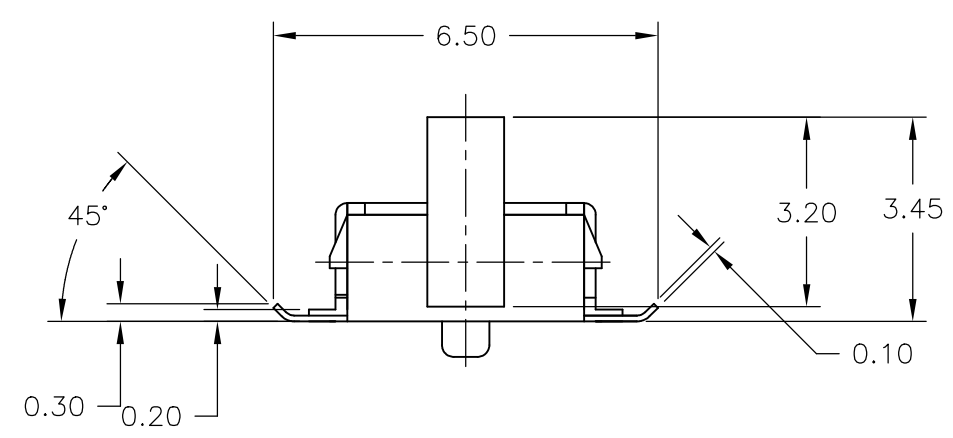
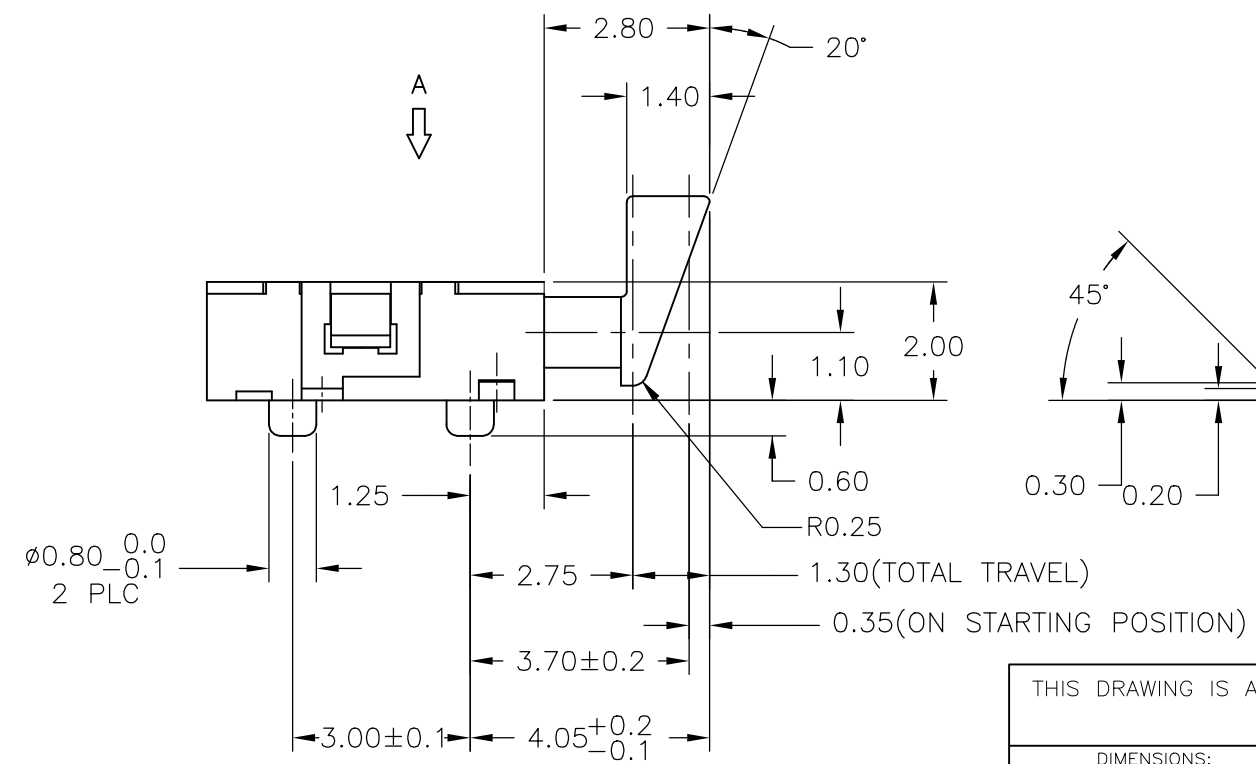
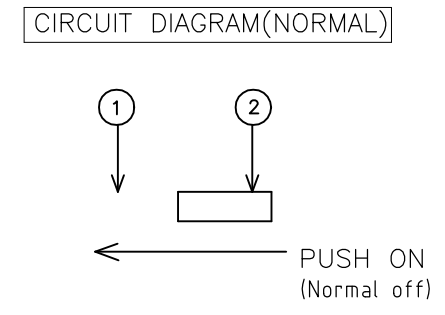
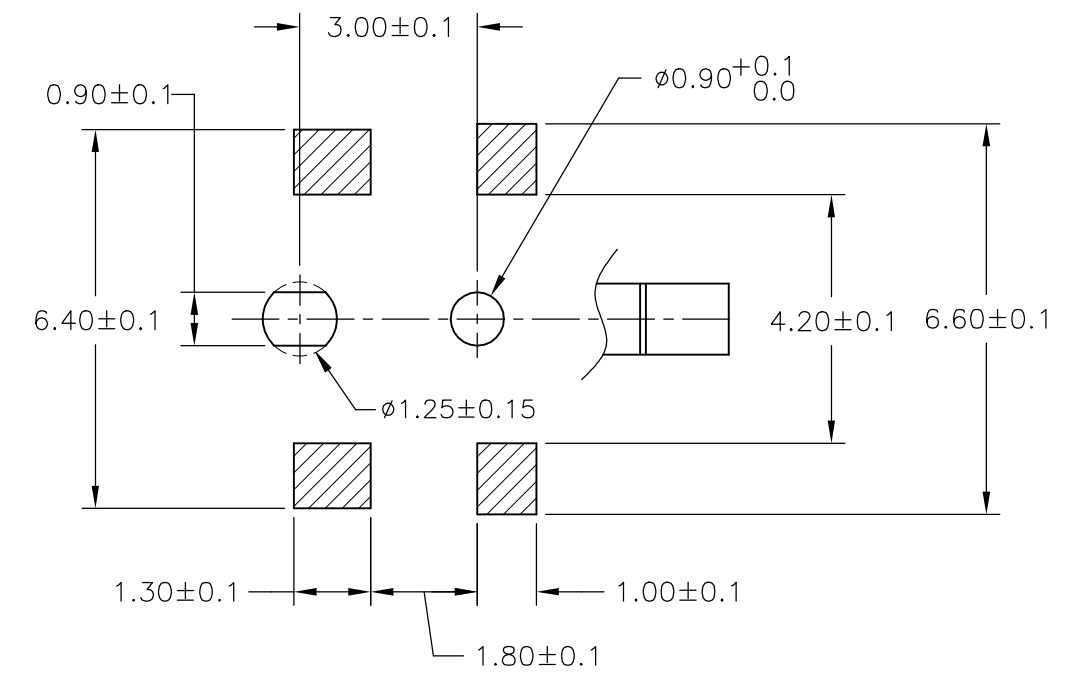
THIS DRAWING IS UNPUBLISHED. RELEASED FOR PUBLICATION  
 © COPYRIGHT - TE Connectivity Ltd. ALL RIGHTS RESERVED.

REVISIONS				
P	LTR	DESCRIPTION	DATE	APVD
	A	ECR-18-012767	16AUG2018	RSM AS

2331329-1  
AS SHOWN



PCB LAYOUT  
(VIEWED FROM THE DIRECTION "A")



THIS DRAWING IS A CONTROLLED DOCUMENT.		DWN	20APR2018		 TE Connectivity Ltd.
		CHK	20APR2018		
		APVD	20APR2018		
		PRODUCT SPEC			
DIMENSIONS: mm		TOLERANCES UNLESS OTHERWISE SPECIFIED:		NAME	
		0 PLC ± -		ALEXANDER SHARPE	
		1 PLC ± -		ALEXANDER SHARPE	
		2 PLC ± 0.20		ALEXANDER SHARPE	
		3 PLC ± -		APPLICATION SPEC	
		4 PLC ± -		-	
MATERIAL		FINISH		RESTRICTED TO	
-		-		-	
CUSTOMER DRAWING			SCALE	SHEET	REV
			8:1	1 of 3	A

THIS DRAWING IS UNPUBLISHED.

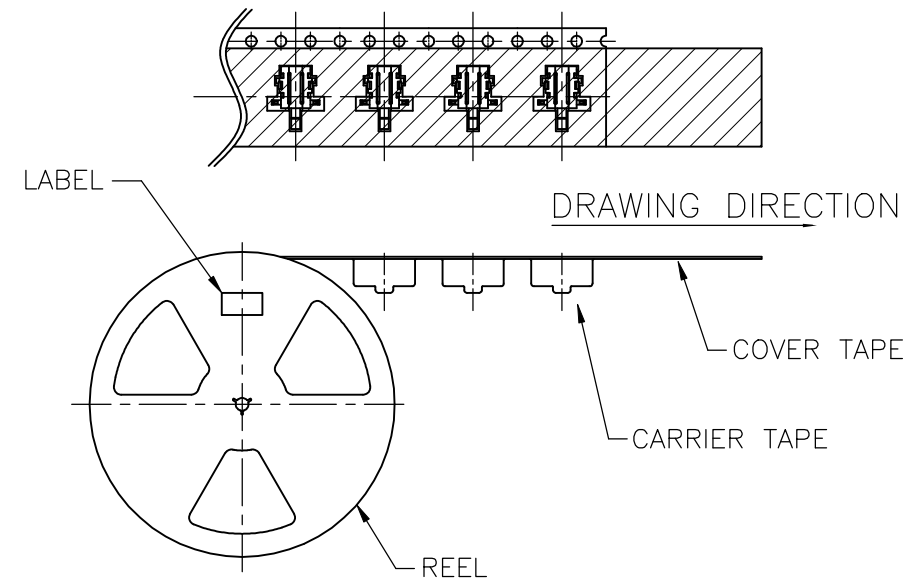
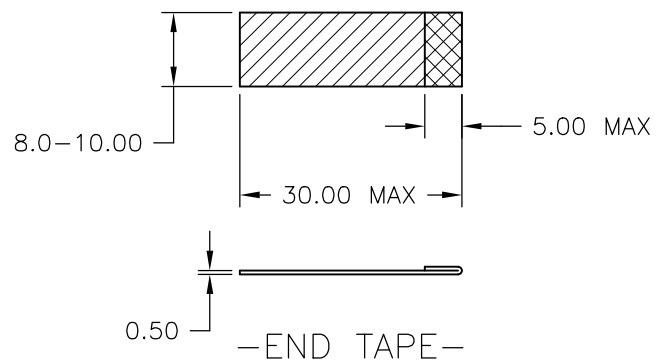
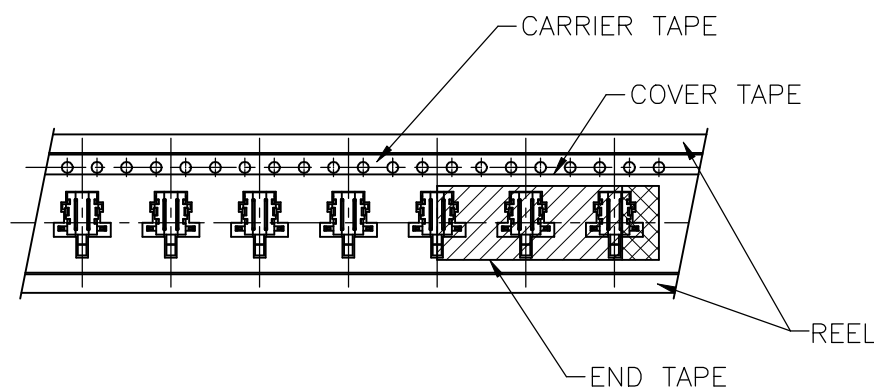
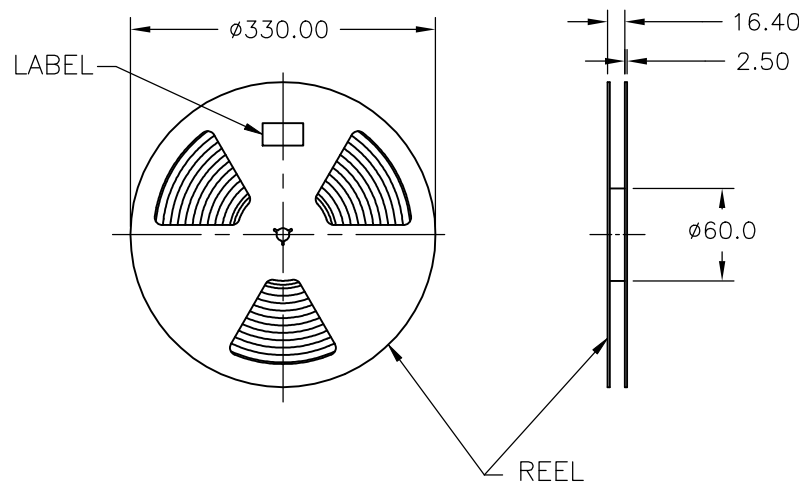
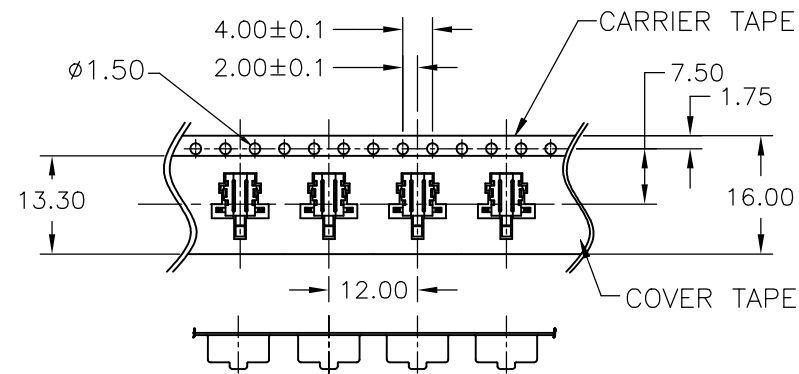
RELEASED FOR PUBLICATION

ALL RIGHTS RESERVED.

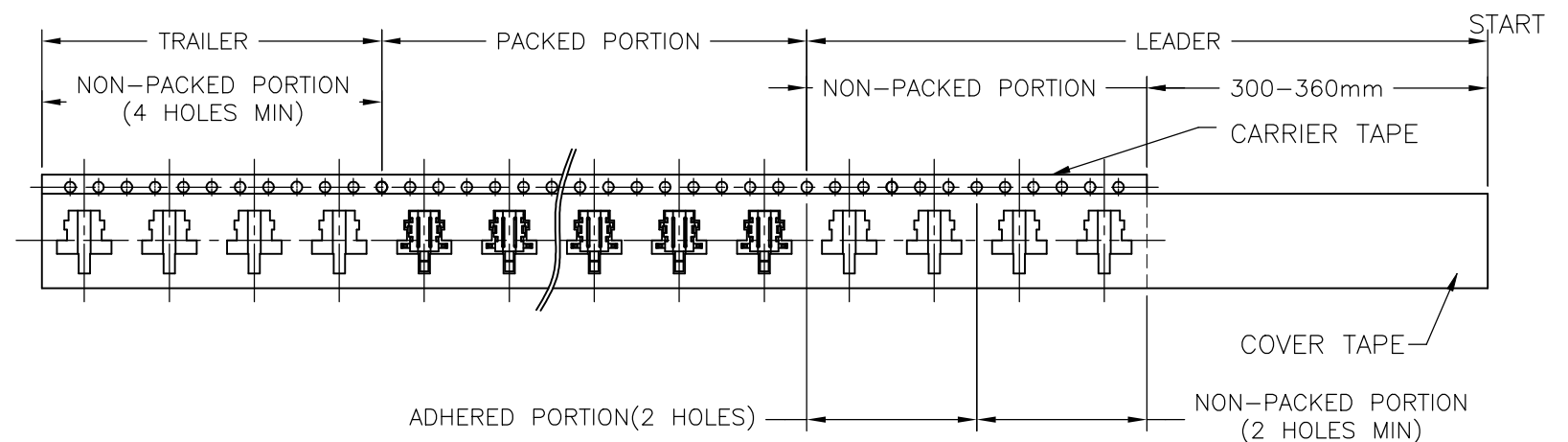
© COPYRIGHT - TE Connectivity Ltd.

REVISIONS


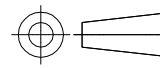
P	LTR	DESCRIPTION	DATE	DWN	APVD
-	-	SEE SHEET 1	-	-	-



-THE DIRECTION OF PILOT HOLES-



NOTE  
1. 1,200 SWITCHES PER REEL

THIS DRAWING IS A CONTROLLED DOCUMENT.		DWN	20APR2018		 TE Connectivity Ltd.
		CHK	20APR2018		
		APVD	20APR2018		
		NAME	ALEXANDER SHARPE		
DIMENSIONS: mm		TOLERANCES UNLESS OTHERWISE SPECIFIED:		PRODUCT SPEC	DETECTOR SWITCH, J2N SERIES, 5.7X4.0mm, HORIZONTAL, SMT, POSTS
		0 PLC ± - 1 PLC ± - 2 PLC ± 0.20 3 PLC ± - 4 PLC ± - ANGLES ± -		APPLICATION SPEC	
MATERIAL		FINISH		WEIGHT	RESTRICTED TO
-		-		CUSTOMER DRAWING	SIZE: A3 CAGE CODE: 00779 DRAWING NO: C-2331329
		SCALE: 1:1		SHEET: 2 of 3	REV: A

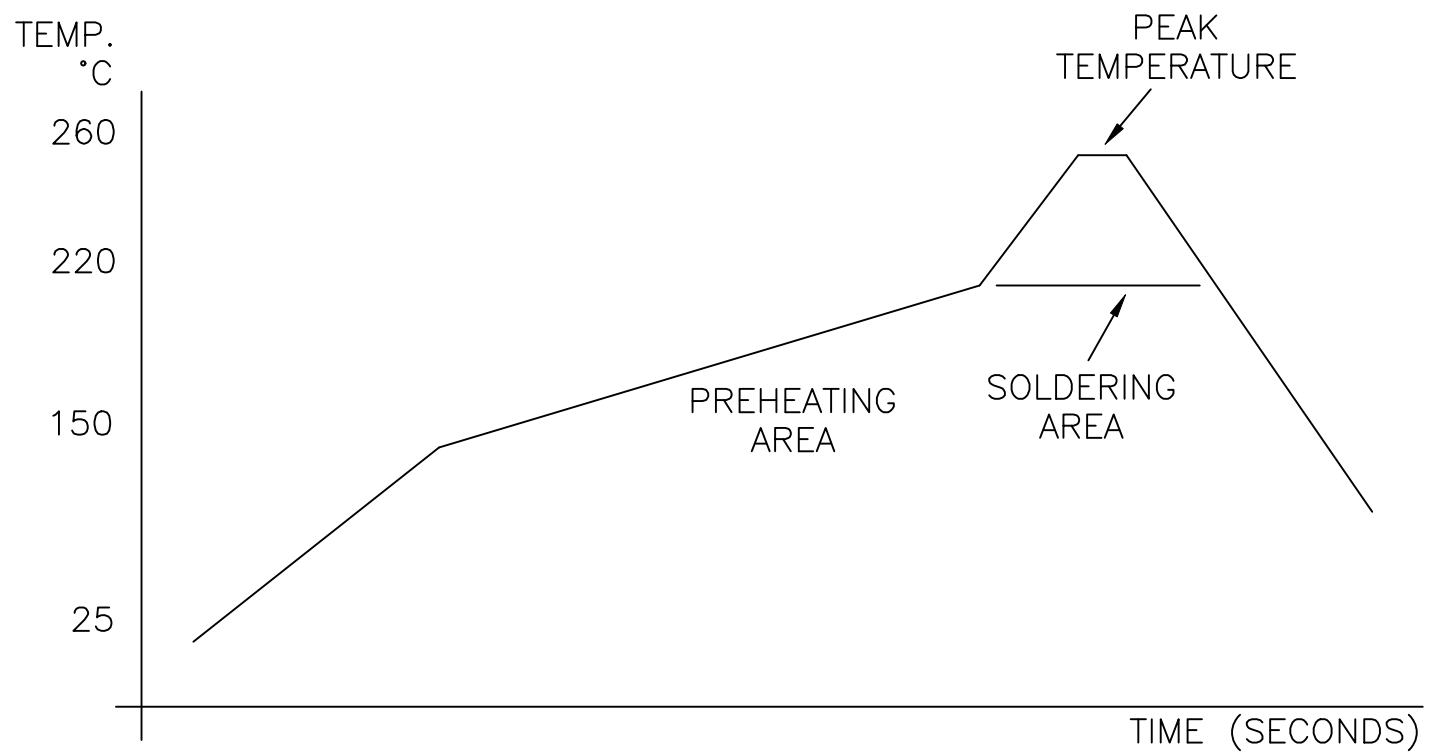
THIS DRAWING IS UNPUBLISHED. RELEASED FOR PUBLICATION  
 © COPYRIGHT - TE Connectivity Ltd. ALL RIGHTS RESERVED.

REVISIONS				
P	LTR	DESCRIPTION	DATE	APVD
-	-	SEE SHEET 1	-	-

**SOLDERING CONDITIONS**

**REFLOW SOLDERING:**

- 1 PREHEAT: 150 TO 200°C, 120±20 SECONDS
- 2 PEAK TEMPERATURE: 260°C MAXIMUM, 10 SECONDS
- 3 SOLDERING AREA TEMPERATURE: 217°C, 90 TO 120 SECONDS



TEMPERATURE PROFILE

- 1 RATING: DC 12V, 100mA(RERESISTIVE LOAD)
- 2 OPERATING FORCE: 70gf MAX
- 3 LIFE CYCLE: 50,000 CYCLES WITHOUT LOAD
- 4 CONTACT RESISTANCE: 80mΩ MAXIMUM
- 5 INSULATION RESISTANCE: 100MΩ MINIMUM
- 6 OPERATING TEMPERATURE RANGE: -10° TO 60°C
- 7 STORAGE TEMPERATURE RANGE: -30° TO 80°C. NOTE: 96 HOURS MAXIMUM FOR CONTINUOUS STORAGE OVER A RANGE -20 TO -30°C AND 70 TO 80°C
- 8 COMPLIANCE- ALL MATERIALS AND FINISHES SHALL COMPLY WITH EU DIRECTIVE 2002/95/EC OF 27 JAN 2003 (RoHS)

-	-	-	STAINLESS STEEL	COIL SPRING
BLACK	UL 94V-0	-	NYLON	ACTUATOR
-	-	SILVER CLAD	COPPER ALLOY	CONTACTOR
-	-	SILVER PLATING	COPPER ALLOY	TERMINAL
-	-	TIN PLATING	STEEL	COVER
BLACK	UL 94V-0	-	NYLON	CASE
COLOR	RATING	FINISH	MATERIAL	PART NAME

JJNHWUG200NOPMRTR	2331329-1
SMART PART NUMBER	PART NUMBER

THIS DRAWING IS A CONTROLLED DOCUMENT.

DIMENSIONS: mm	TOLERANCES UNLESS OTHERWISE SPECIFIED:
	0 PLC ± - 1 PLC ± - 2 PLC ± 0.20 3 PLC ± - 4 PLC ± - ANGLES ± -
MATERIAL	FINISH
-	-

DWN	20APR2018
RAVI.S	
CHK	20APR2018
ALEXANDER SHARPE	
APVD	20APR2018
ALEXANDER SHARPE	
PRODUCT SPEC	-
APPLICATION SPEC	-
WEIGHT	-
CUSTOMER DRAWING	

**STE** TE Connectivity Ltd.

NAME: DETECTOR SWITCH, JJN SERIES, 5.7X4.0mm, HORIZONTAL, SMT, POSTS

SIZE	CAGE CODE	DRAWING NO	RESTRICTED TO
A3	00779	C-2331329	-

SCALE: 1:1 SHEET: 3 of 3 REV: A