

PTS645 V SMT



A TRUE SMT RIGHT ANGLE TACT SWITCH

The PTS645 V SMT is designed to offer the ultimate compatibility with SMT automatic placement and soldering on a right angle switch in the 6.0 x 6.0 form factor.

The PTS645 V SMT switch features:

- Fully compatible with standard SMT processing
- Four large SMT pads for stability during reflow and high shear resistance
- Back crimping of the insulator and specific bracket geometry to increase push force resistance
- 0.1 mm coplanarity, limits the necessary paste thickness down to 0.15 mm min.

The new PTS645 V SMT switch is the choice to complete a full SMT board, eliminating additional operation of a THT component, while keeping the mechanical qualities of the thru hole technology.

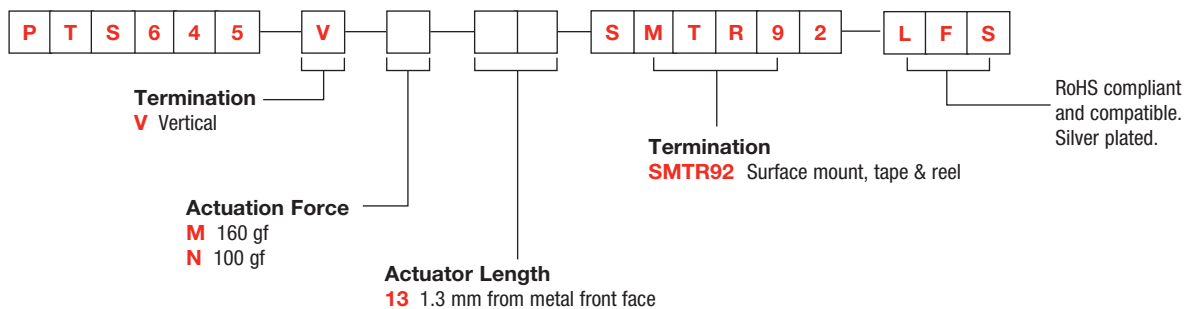
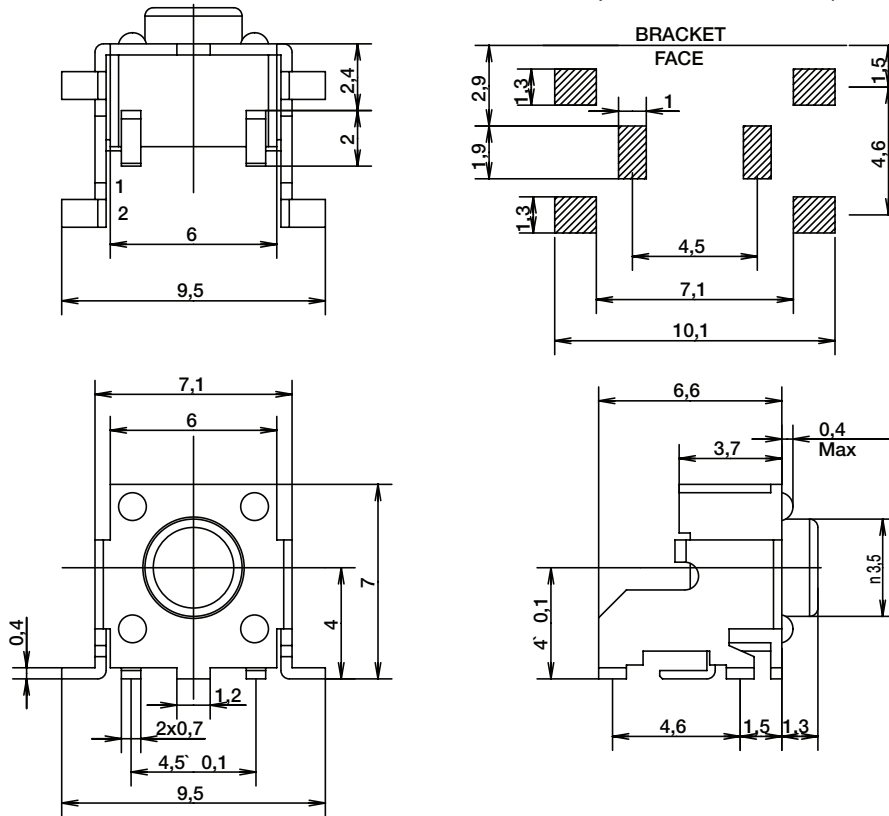


PTS645 V SMT

RIGHT ANGLE TACT FULLY REFLOW COMPATIBLE

RECOMMENDED PCB LAYOUT (Tolerance ± 0.1)

- Solder paster thickness: 0.15 mm)



For more information, please consult the PTS645V page at www.ck-components.com

AMERICAS

Tel: +1.617.969.3700

ASIA

Tel: +852.3713.5288

FRANCE

Southern and
Western Europe

Tel: +33.1.60.24.51.51

GERMANY

Central and Eastern
Europe & Nordic

Tel: +49.30.814.539.250

