

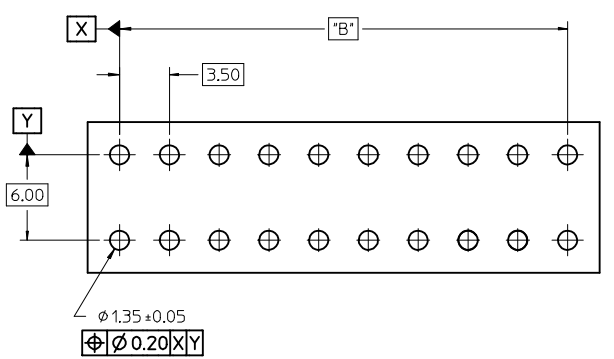
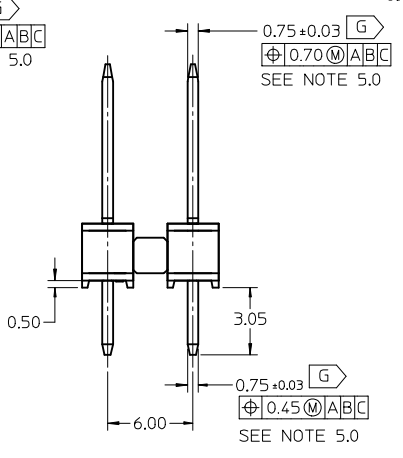
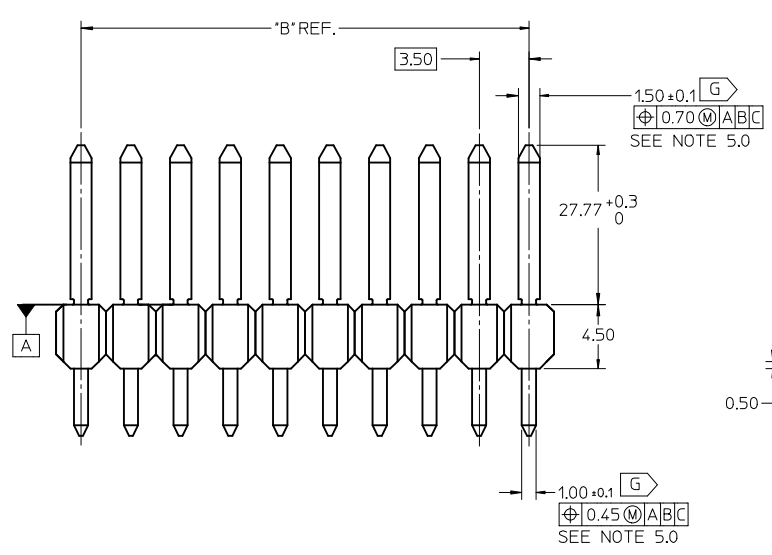
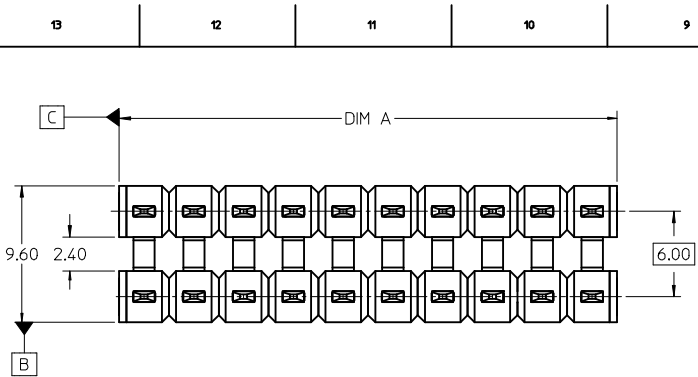
RECOMMENDED PCB LAYOUT

- NOTES:
1. TERMINAL MAT'L: ALLOY C26000, CARTRIDGE BRASS
 2. WAFER MAT'L: 30% GLASS FILLED LCP, 94V-0, COLOR BLACK.
 3. TERMINAL PLATING:
 - OPTION 4 - 1.54µm MIN MATTE TIN OVERALL OVER 1.25µm NICKEL OVERALL
 - OPTION 1 - 2.54µm MIN MATTE TIN OVERALL OVER 1.25µm NICKEL OVERALL
 - OPTION 2 - 1.25µm NICKEL OVERALL 2.54µm MIN SELECT MATTE TIN PC TAIL AREA 0.05-0.25µm SELECT GOLD CONTACT AREA
 - OPTION 3 - 1.25µm NICKEL OVERALL 2.54µm MIN SELECT MATTE TIN PC TAIL AREA 0.75µm SELECT GOLD CONTACT AREA
 4. HEADER ASSEMBLIES ARE TUBE PACKAGED PER PK-36518-340.
 5. ALL THE POSITIONAL TOLERANCES SHOULD BE MEASURED AT TIP OF THE TERMINALS.
 6. DATUMS SHOULD BE CONSIDERED FROM THE EDGES OF THE HOUSING.
 7. POSITION TOLERANCE OF PIN AT MATING SIDE SHOULD BE MAINTAINED AT 0.3MM IN THE FINAL MODULE BY CUSTOMER.
 8. [G] DENOTES DIMENSIONS THAT CAN BE QUALIFIED WITH A GAUGE
 9. **BLADE GEOMETRY DOES NOT CONFORM TO USCAR SPECIFICATIONS.**

| | | | | | | | | |
|---|--------------------------|--------------------------------------|---------------------------------------|------|----------------------------|-----------------|---|------------------------|
| Position Tol. del. added EC NO: 12017-0047 DRW:RGV CHKD: APPR:VUTTARKAR | 2016/11/11 2017/01/24 | QUALITY SYMBOLS ▽=0 ▽=0 ▽=0 | GENERAL TOLERANCES (UNLESS SPECIFIED) | | DIMENSION STYLE MM ONLY | SCALE 4:1 | DESIGN UNITS METRIC | THIRD ANGLE PROJECTION |
| | | | mm | INCH | DRAWN BY TMCLELL | DATE 1/18/05 | TITLE MX150 DUAL ROW UNSHROUDED VERTICAL HEADER ASSEMBLY | |
| 4 PLACES ± --- ± --- | | | DRAWN BY | | DATE | molex | | |
| 3 PLACES ± --- ± --- | | | CHECKED BY | | DATE | | | |
| 2 PLACES ± 0.13 ± --- | | | APPROVED BY | | DATE | SD-75757-002 | | |
| 1 PLACE ± 0.25 ± --- | | | BANKA I S | | 1/18/05 | | | |
| 0 PLACE ± ± | | | ANGULAR ±1/2° | | MATERIAL NO. | | DOCUMENT NO. | SHEET NO. |
| DRAFT WHERE APPLICABLE MUST REMAIN WITHIN DIMENSIONS | | | SEE CHART | | SD-75757-002 | | 1 OF 2 | |
| THIS DRAWING CONTAINS INFORMATION THAT IS PROPRIETARY TO MOLEX INCORPORATED AND SHOULD NOT BE USED WITHOUT WRITTEN PERMISSION | | | | | | | | |

| | | | | | | | | | | | | |
|----------|----------------|-----------------|------------|------------|-----------------|---------|---------|-----------------|---------|---------|---------|-------------|
| 2 x 2 | 1 | 75757-5121 | 3.05 | 16.09 | 75757-1121 | 3.05 | 11.20 | 75757-1122 | 4.75 | 11.20 | 7.0 | 3.50 REF |
| | 2 | 75757-5221 | | | 75757-1221 | | | 75757-1222 | | | | |
| | 3 | 75757-5321 | | | 75757-1321 | | | 75757-1322 | | | | |
| | 4 | 75757-5421 | | | 75757-1421 | | | 75757-1422 | | | | |
| 2 x 3 | 1 | 75757-5131 | | | 75757-1131 | | | 75757-1132 | | | 10.5 | 7.00 |
| | 2 | 75757-5231 | | | 75757-1231 | | | 75757-1232 | | | | |
| | 3 | 75757-5331 | | | 75757-1331 | | | 75757-1332 | | | | |
| | 4 | 75757-5431 | | | 75757-1431 | | | 75757-1432 | | | | |
| 2 x 4 | 1 | 75757-5141 | | | 75757-1141 | | | 75757-1142 | | | 14.0 | 10.50 |
| | 2 | 75757-5241 | | | 75757-1241 | | | 75757-1242 | | | | |
| | 3 | 75757-5341 | | | 75757-1341 | | | 75757-1342 | | | | |
| | 4 | 75757-5441 | | | 75757-1441 | | | 75757-1442 | | | | |
| 2 x 6 | 1 | 75757-5161 | | | 75757-1161 | | | 75757-1162 | | | 21.0 | 17.50 |
| | 2 | 75757-5261 | | | 75757-1261 | | | 75757-1262 | | | | |
| | 3 | 75757-5361 | | | 75757-1361 | | | 75757-1362 | | | | |
| | 4 | 75757-5461 | | | 75757-1461 | | | 75757-1462 | | | | |
| 2 x 8 | 1 | 75757-5181 | 75757-1181 | 75757-1182 | 28.0 | 24.50 | | | | | | |
| | 2 | 75757-5281 | 75757-1281 | 75757-1282 | | | | | | | | |
| | 3 | 75757-5381 | 75757-1381 | 75757-1382 | | | | | | | | |
| | 4 | 75757-5481 | 75757-1481 | 75757-1482 | | | | | | | | |
| 2 x 10 | 1 | 75757-5101 | 75757-1101 | 75757-1102 | 35.0 | 31.50 | | | | | | |
| | 2 | 75757-5201 | 75757-1201 | 75757-1202 | | | | | | | | |
| | 3 | 75757-5301 | 75757-1301 | 75757-1302 | | | | | | | | |
| | 4 | 75757-5401 | 75757-1401 | 75757-1402 | | | | | | | | |
| CKT SIZE | PLATING OPTION | MATERIAL NUMBER | *C* DIM | *F* DIM | MATERIAL NUMBER | *C* DIM | *F* DIM | MATERIAL NUMBER | *C* DIM | *F* DIM | *A* DIM | *B* DIM |

| | | | | | | |
|--|--|---------------------------------------|---|--|--------------|------------------------|
| SEE SHEET 1 EC NO: I2017-0047 DRAWN BY: G CHKD: APPR: VITTARKAR 2017/04/24 REV | QUALITY SYMBOLS | GENERAL TOLERANCES (UNLESS SPECIFIED) | DIMENSION STYLE | SCALE | DESIGN UNITS | THIRD ANGLE PROJECTION |
| | ▽=0 | mm INCH | MM ONLY | 1:1 | METRIC | |
| | ▽=0 | 4 PLACES ± --- ± --- | DRAWN BY DATE | TITLE | | |
| | ▽=0 | 3 PLACES ± --- ± --- | 1/18/05 | MX150 DUAL ROW UNSHROUDED VERTICAL HEADER ASSEMBLY | | |
| | 2 PLACES ± 0.13 ± --- | CHECKED BY DATE | molex | | | |
| | 1 PLACE ± 0.25 ± --- | 1/18/05 | SD-75757-002 | | | |
| | 0 PLACE ± ± | APPROVED BY DATE | SHEET NO. 2 OF 2 | | | |
| | ANGULAR ± 1/2° | BANAKIS 1/18/05 | DOCUMENT NO. | | | |
| | DRAFT WHERE APPLICABLE MUST REMAIN WITHIN DIMENSIONS | MATERIAL NO. | THIS DRAWING CONTAINS INFORMATION THAT IS PROPRIETARY TO MOLEX INCORPORATED AND SHOULD NOT BE USED WITHOUT WRITTEN PERMISSION | | | |

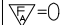
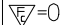
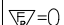



RECOMMENDED PCB LAYOUT

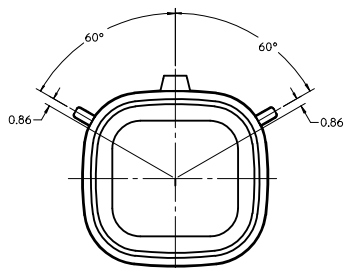
- NOTES:
1. TERMINAL MAT'L: ALLOY C26000, CARTRIDGE BRASS
 2. WAFER MAT'L: 30% GLASS FILLED LCP, 94V-0, COLOR BLACK.
 3. TERMINAL PLATING:
 - OPTION 4 - 1.5μm MIN MATTE TIN OVERALL OVER 1.25μm NICKEL OVERALL
 - OPTION 1 - 2.5μm MIN MATTE TIN OVERALL OVER 1.25μm NICKEL OVERALL
 - OPTION 2 - 1.25μm NICKEL OVERALL 2.5μm MIN SELECT MATTE TIN PC TAIL
AREA 0.05-0.25μm SELECT GOLD CONTACT AREA
 - OPTION 3 - 1.25μm NICKEL OVERALL 2.5μm MIN SELECT MATTE TIN PC TAIL
AREA 0.75μm SELECT GOLD CONTACT AREA
 4. HEADER ASSEMBLIES ARE TUBE PACKAGED PER PK-36518-340.
 5. ALL THE POSITIONAL TOLERANCES SHOULD BE MEASURED AT TIP OF THE TERMINALS.
 6. DATUMS SHOULD BE CONSIDERED FROM THE EDGES OF THE HOUSING.
 7. POSITION TOLERANCE OF PIN AT MATING SIDE SHOULD BE MAINTAINED AT 0.3 MM IN THE FINAL MODULE BY CUSTOMER
 8. [G] DENOTES DIMENSIONS THAT CAN BE QUALIFIED WITH A GAUGE
 9. **BLADE GEOMETRY DOES NOT CONFORM TO USCAR SPECIFICATIONS**

| ADDED NOTE 8 & 9. EC NO: 12017-0047 DRW:RGV 2017/04/20 CHKD: APPR:VUTTARKAR 2017/04/24 REV 4 | QUALITY SYMBOLS | GENERAL TOLERANCES (UNLESS SPECIFIED) | DIMENSION STYLE | SCALE | DESIGN UNITS | THIRD ANGLE PROJECTION | | | | | | | | | | | | | | | | | | |
|--|--|---|-----------------|-------|--------------|------------------------|------|------|----------|------|------|----------|-------|------|---------|-------|------|---------|---|---|---------|-----|--------|--|
| | $\nabla=0$ $\nabla=0$ $\nabla=0$ | <table border="1"> <thead> <tr> <th></th> <th>mm</th> <th>INCH</th> </tr> </thead> <tbody> <tr> <td>4 PLACES</td> <td>±---</td> <td>±---</td> </tr> <tr> <td>3 PLACES</td> <td>±---</td> <td>±---</td> </tr> <tr> <td>2 PLACES</td> <td>±0.13</td> <td>±---</td> </tr> <tr> <td>1 PLACE</td> <td>±0.25</td> <td>±---</td> </tr> <tr> <td>0 PLACE</td> <td>±</td> <td>±</td> </tr> </tbody> </table> | | mm | INCH | 4 PLACES | ±--- | ±--- | 3 PLACES | ±--- | ±--- | 2 PLACES | ±0.13 | ±--- | 1 PLACE | ±0.25 | ±--- | 0 PLACE | ± | ± | MM ONLY | 4:1 | METRIC | |
| | | mm | INCH | | | | | | | | | | | | | | | | | | | | | |
| | 4 PLACES | ±--- | ±--- | | | | | | | | | | | | | | | | | | | | | |
| 3 PLACES | ±--- | ±--- | | | | | | | | | | | | | | | | | | | | | | |
| 2 PLACES | ±0.13 | ±--- | | | | | | | | | | | | | | | | | | | | | | |
| 1 PLACE | ±0.25 | ±--- | | | | | | | | | | | | | | | | | | | | | | |
| 0 PLACE | ± | ± | | | | | | | | | | | | | | | | | | | | | | |
| DRAFT WHERE APPLICABLE MUST REMAIN WITHIN DIMENSIONS | DRAWN BY: RGV DATE: 2016/11/29 CHECKED BY: VUTTARKAR DATE: 2017/01/02 APPROVED BY: VUTTARKAR DATE: 2017/01/02 | TITLE | | | | | | | | | | | | | | | | | | | | | | |
| | | MX150 DUAL ROW UNSHROUDED VERTICAL HEADER ASSEMBLY molex DOCUMENT NO. SD-75757-003 SHEET NO. 1 OF 2 | | | | | | | | | | | | | | | | | | | | | | |

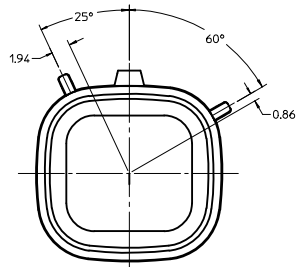
| | | | | |
|-------------|-------------------|--------------------|------------|-------------|
| 2 x 2 | 1 | 75757-6121 | 7.0 | 3.50 REF |
| | 2 | 75757-6221 | | |
| | 3 | 75757-6321 | | |
| | 4 | 75757-6421 | | |
| 2 x 3 | 1 | 75757-6131 | 10.5 | 7.00 |
| | 2 | 75757-6231 | | |
| | 3 | 75757-6331 | | |
| | 4 | 75757-6431 | | |
| 2 x 4 | 1 | 75757-6141 | 14.0 | 10.50 |
| | 2 | 75757-6241 | | |
| | 3 | 75757-6341 | | |
| | 4 | 75757-6441 | | |
| 2 x 6 | 1 | 75757-6161 | 21.0 | 17.50 |
| | 2 | 75757-6261 | | |
| | 3 | 75757-6361 | | |
| | 4 | 75757-6461 | | |
| 2 x 8 | 1 | 75757-6181 | 28.0 | 24.50 |
| | 2 | 75757-6281 | | |
| | 3 | 75757-6381 | | |
| | 4 | 75757-6481 | | |
| 2 x 10 | 1 | 75757-6101 | 35.0 | 31.50 |
| | 2 | 75757-6201 | | |
| | 3 | 75757-6301 | | |
| | 4 | 75757-6401 | | |
| CKT SIZE | PLATING OPTION | MATERIAL NUMBER | *A* DIM | *B* DIM |

| | | | | | | | | | | |
|---|--|---------------------------------------|----------------------|--|----------------------|--|-----------------------------------|--|--|--|
| SEE SHEET 1 IEC NO: I2017-0047 DRAWN BY: RGV CHKD: 4 APPR: VUTTARKAR 2017/04/20 2017/04/24 | QUALITY SYMBOLS  R=0  R=0  R=0 | GENERAL TOLERANCES (UNLESS SPECIFIED) | | DIMENSION STYLE MM ONLY | | SCALE 1:1 | DESIGN UNITS METRIC |  THIRD ANGLE PROJECTION | | |
| | | 4 PLACES ± --- ± --- | 3 PLACES ± --- ± --- | 2 PLACES ± 0.13 ± --- | 1 PLACE ± 0.25 ± --- | 0 PLACE ± ± | DRAWN BY: RGV DATE: 2016/11/29 | TITLE MX150 DUAL ROW UNSHROUDED VERTICAL HEADER ASSEMBLY | | |
| | | ANGULAR ±1/2° | | DRAFT WHERE APPLICABLE MUST REMAIN WITHIN DIMENSIONS | | APPROVED BY: VUTTARKAR DATE: 2017/01/02 | molex | | | |
| | | SEE CHART | | | | MATERIAL NO. | DOCUMENT NO. | SHEET NO. | | |
| THIS DRAWING CONTAINS INFORMATION THAT IS PROPRIETARY TO MOLEX INCORPORATED AND SHOULD NOT BE USED WITHOUT WRITTEN PERMISSION | | | | SD-75757-003 | | 2 OF 2 | | | | |

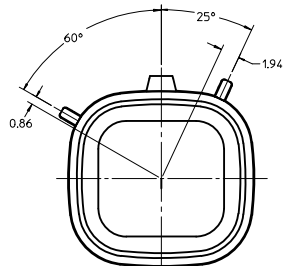
CUSTOMER SHROUD DESIGN DETAILS



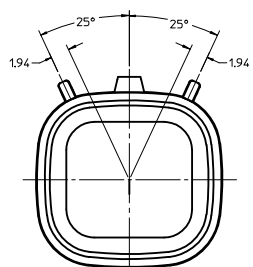
KEYING OPTION "A"
SUGGESTED COLOR: BLACK



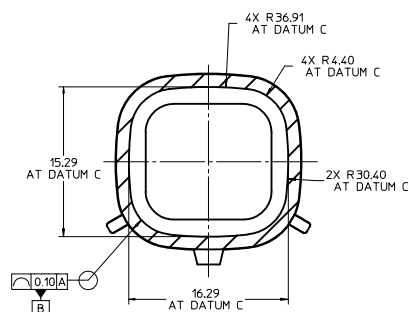
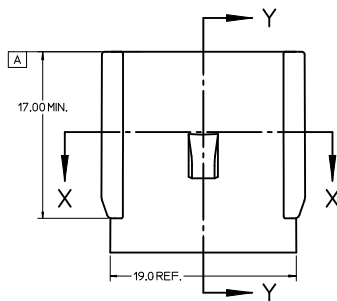
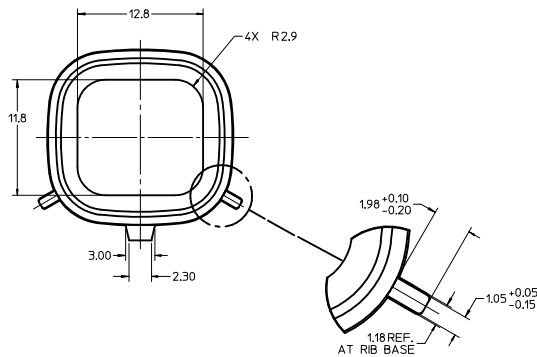
KEYING OPTION "B"
SUGGESTED COLOR: GREY



KEYING OPTION "C"
SUGGESTED COLOR: BROWN



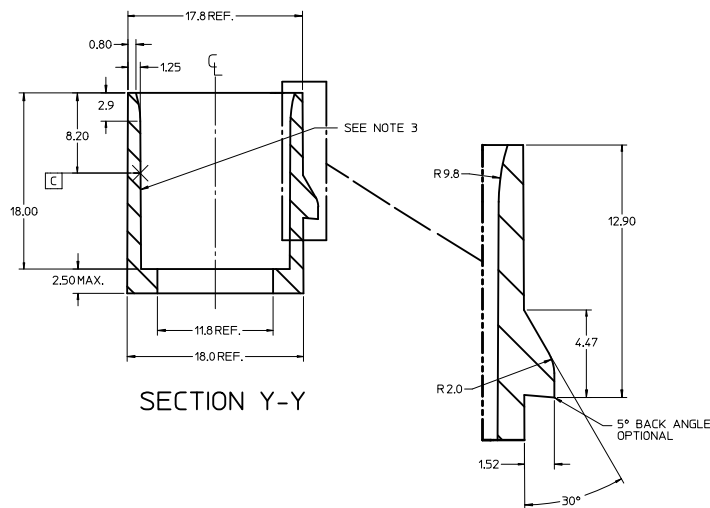
KEYING OPTION "D"
SUGGESTED COLOR: GREEN



SECTION X-X

NOTES:

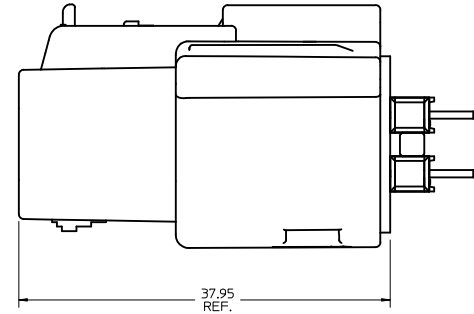
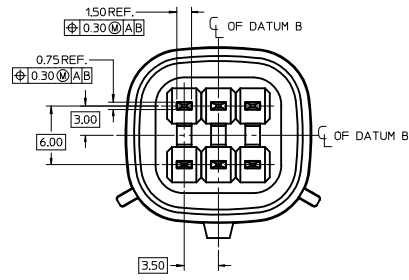
- REFER TO MOLEX SALES DRAWING SD-75757-002 FOR THE HEADER ASSEMBLY PRODUCT DETAILS AND RECOMMENDED PCB LAYOUT.
- KEYING OPTIONS A-D AND SUGGESTED COLORS COMPLY TO THE POLARIZATION STANDARDS ESTABLISHED FOR MATING WITH A MX150 FEMALE CONNECTOR.
- INTERIOR SHROUD SURFACE MUST BE FREE OF DEFECTS AND PARTING LINES ALL AROUND TO ENSURE PROPER SEALING OF THE MATING MX150 FEMALE CONNECTOR.
- A FULL SHROUD ON THE MATING CONNECTOR IS REQUIRED TO INSURE THE HEADER SHROUD POLARIZATION FEATURES (OPTIONS A-D) WILL FUNCTION PROPERLY. THE FULL SHROUD ALSO PREVENTS SCOOP DAMAGE TO THE HEADER CONTACTS.
- PERMISSIBLE DRAFT ANGLE 0.25° MAXIMUM.
- RADI ON ALL CORNERS SHOWN SHARP OR ALL UNSPECIFIED RADI 0.25 EXCEPT AS NOTED.
- DIMENSIONS SHOWN ABOUT A CENTERLINE ARE SYMMETRICAL ABOUT THAT CENTERLINE WITHIN HALF THE SPECIFIED TOLERANCE.



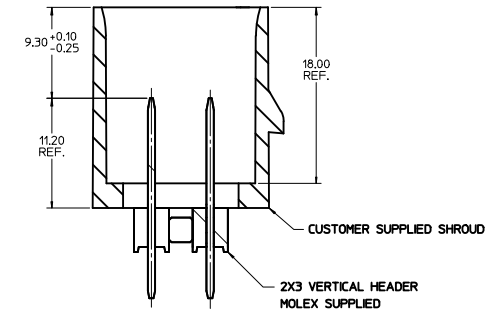
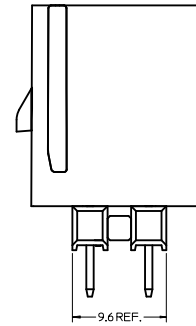
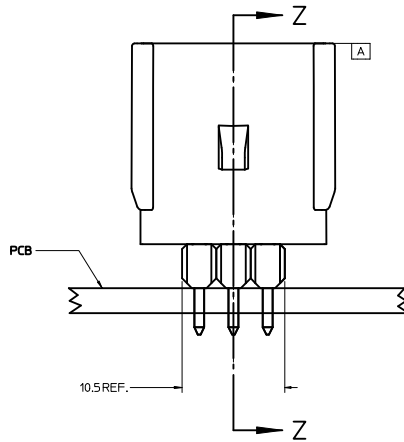
SECTION Y-Y

| | | | | | | | | | | | | |
|--|--|--|---|--|---|--|-----------------------------------|--|--|--|------------------------|--|
| ADDED PLUG ASSY EIC NO: UCF2011-2680 CHYD: DRWN:ROSCA APPR: JCOMERCL 2011/03/07 2011/03/07 | QUALITY SYMBOLS ▽=0 ▽=0 | | GENERAL TOLERANCES (UNLESS SPECIFIED) | | DIMENSION STYLE MM ONLY | | SCALE 4:1 | | DESIGN UNITS METRIC | | THIRD ANGLE PROJECTION | |
| | 4 PLACES ±0.15 3 PLACES ±0.10 2 PLACES ±0.01 1 PLACE ±0.2 | | mm INCH | | DRAWN BY: TMCLELL DATE: 2006/04/26 CHECKED BY: DATE: | | TITILE: | | APPLICATION SPEC 2X3 MX150 HEADER SHROUD DETAILS | | | |
| | ANGULAR ±1/2° | | DRAFT WHERE APPLICABLE MUST REMAIN WITHIN DIMENSIONS | | APPROVED BY: BANAKIS DATE: 2006/04/28 | | MATERIAL NO: 75757-2030 | | DOCUMENT NO: AS-75757-203 | | MOLEX INCORPORATED | |
| | SIZE D | | THIS DRAWING CONTAINS INFORMATION THAT IS PROPRIETARY TO MOLEX INCORPORATED AND SHOULD NOT BE USED WITHOUT WRITTEN PERMISSION | | SHEET NO. 1 OF 2 | | | | | | | |

NOTES:
 1. ADHERENCE TO THE HEADER APPLICATION DETAILS IS IMPERATIVE TO ENSURE PROPER SHROUD SEALING AND CONTACT ALIGNMENT WHEN MATED WITH A MX150 FEMALE CONNECTOR.



CONNECTOR ASSEMBLY



SECTION Z-Z

HEADER APPLICATION DETAILS

| | | | | | | | |
|--|-----------------|---|---|--------------------|--|------------------------|--|
| SEE SHEET 1 IEC NO. UCP2011-2680 DRAWN BY: DRWN:DROSCA CHKD: APPR.: JCOMERCL 2011/03/04 2011/03/07 | QUALITY SYMBOLS | GENERAL TOLERANCES (UNLESS SPECIFIED) | DIMENSION STYLE | SCALE | DESIGN UNITS | THIRD ANGLE PROJECTION | |
| | ▽=0 ▽=0 | mm INCH | MM ONLY | 4:1 | METRIC | | |
| | | 4 PLACES ± 3 PLACES ± 2 PLACES ±0.01 1 PLACE ±0.2 | DRAWN BY: TMCLELL DATE: 2006/04/26 CHECKED BY: TMCLELL DATE: 2006/04/26 APPROVED BY: BANAKI S DATE: 2006/04/28 | TITLE | APPLICATION SPEC 2X3 MX150 HEADER SHROUD DETAILS | | |
| | | ANGULAR ±1/2° | MATERIAL NO. 75757-2030 DOCUMENT NO. AS-75757-203 | MOLEX INCORPORATED | SHEET NO. 2 OF 2 | | |
| DRAFT WHERE APPLICABLE MUST REMAIN WITHIN DIMENSIONS | | THIS DRAWING CONTAINS INFORMATION THAT IS PROPRIETARY TO MOLEX INCORPORATED AND SHOULD NOT BE USED WITHOUT WRITTEN PERMISSION | | | | | |