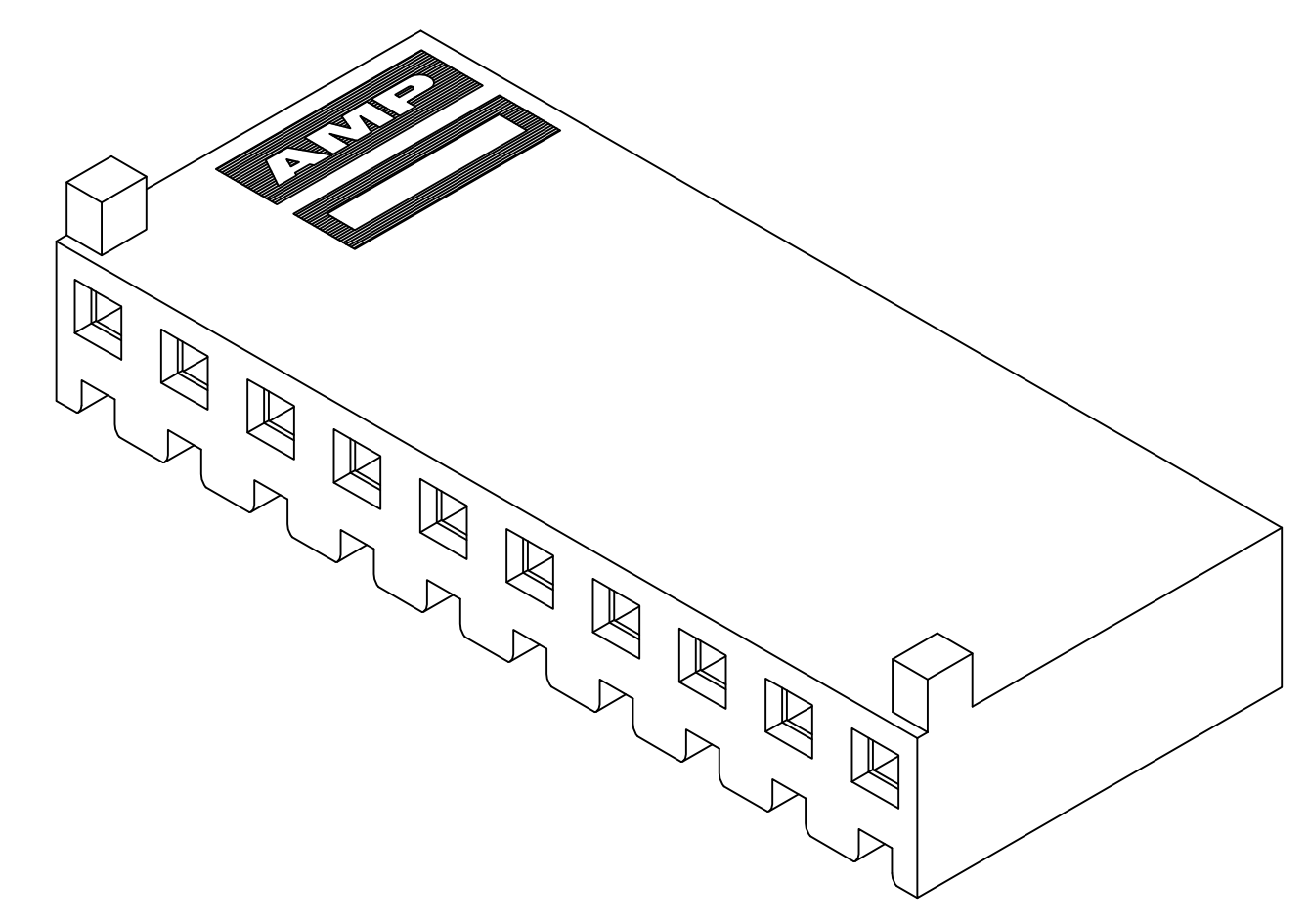
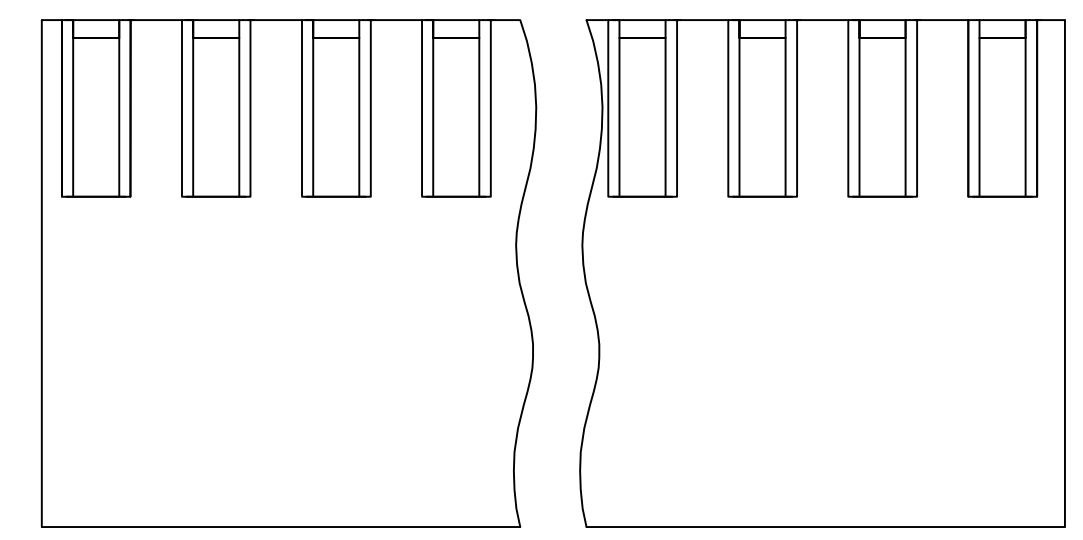
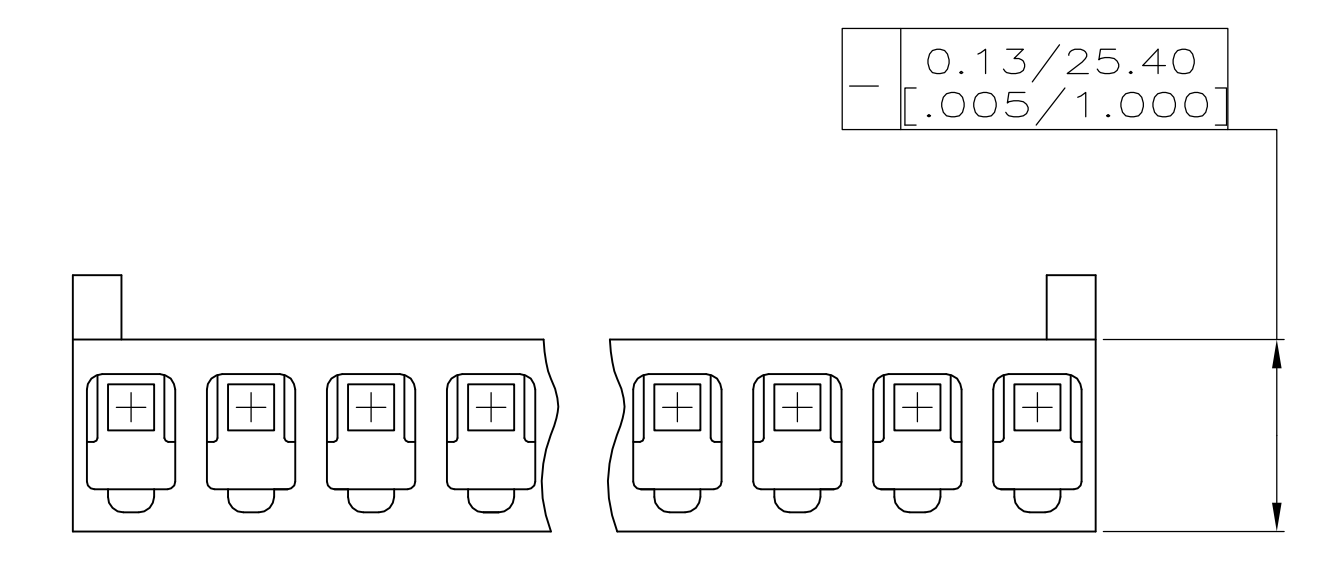
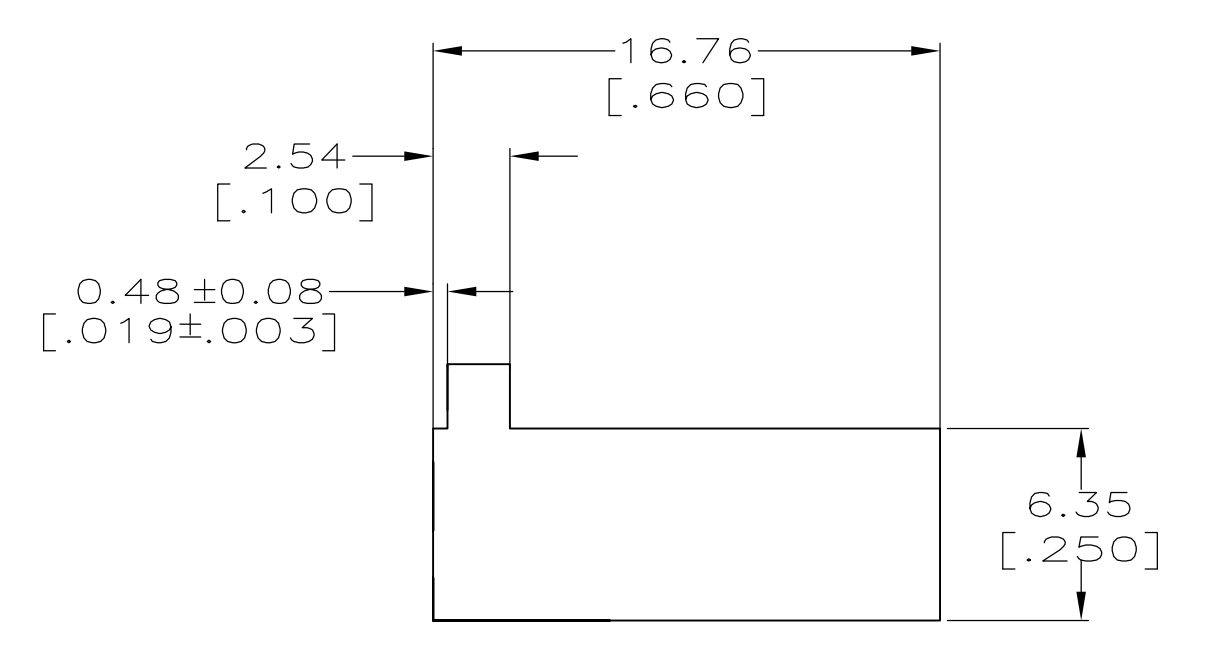
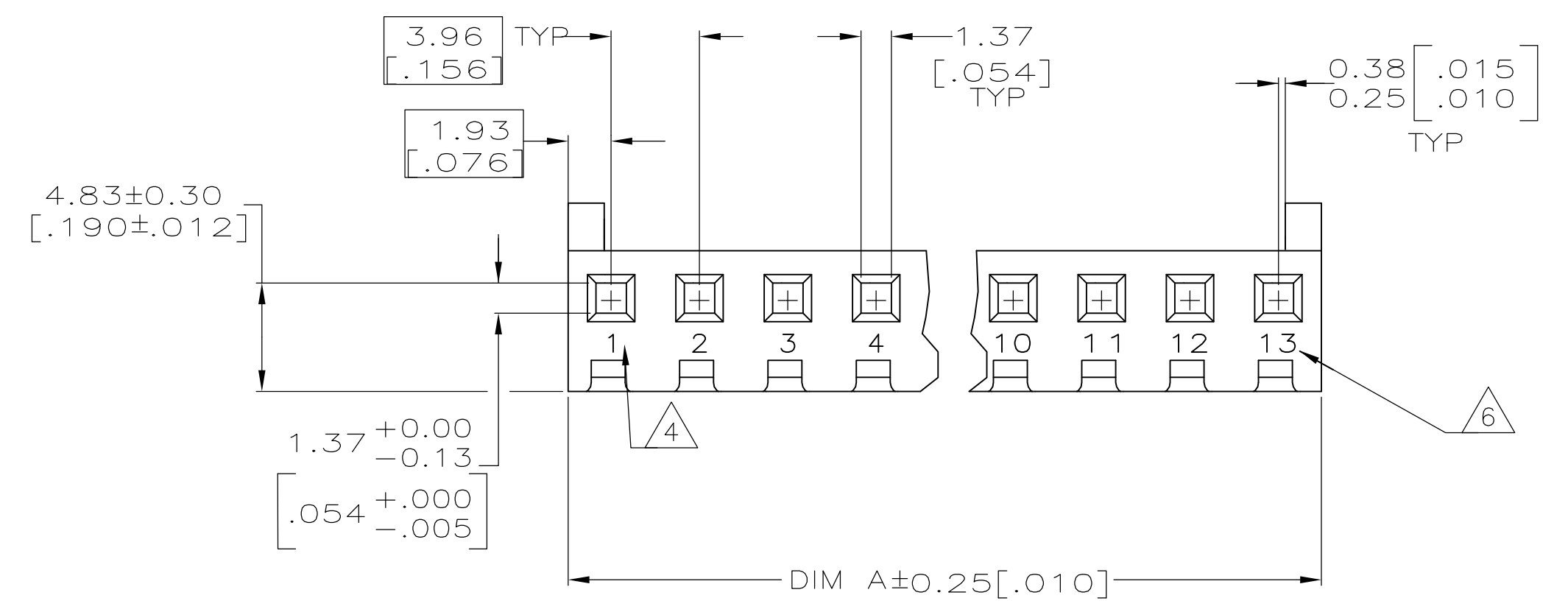
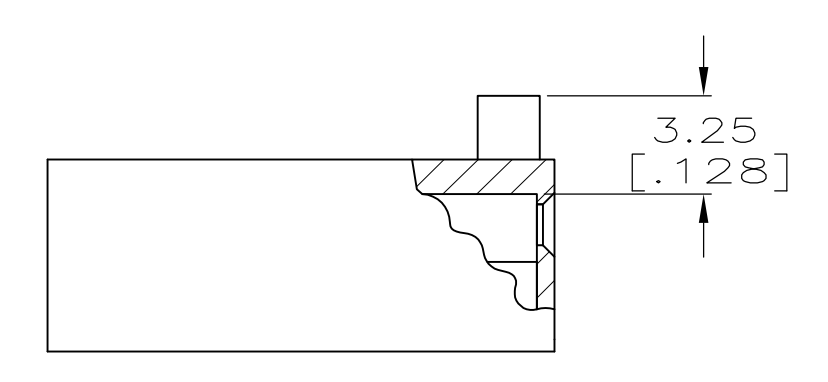
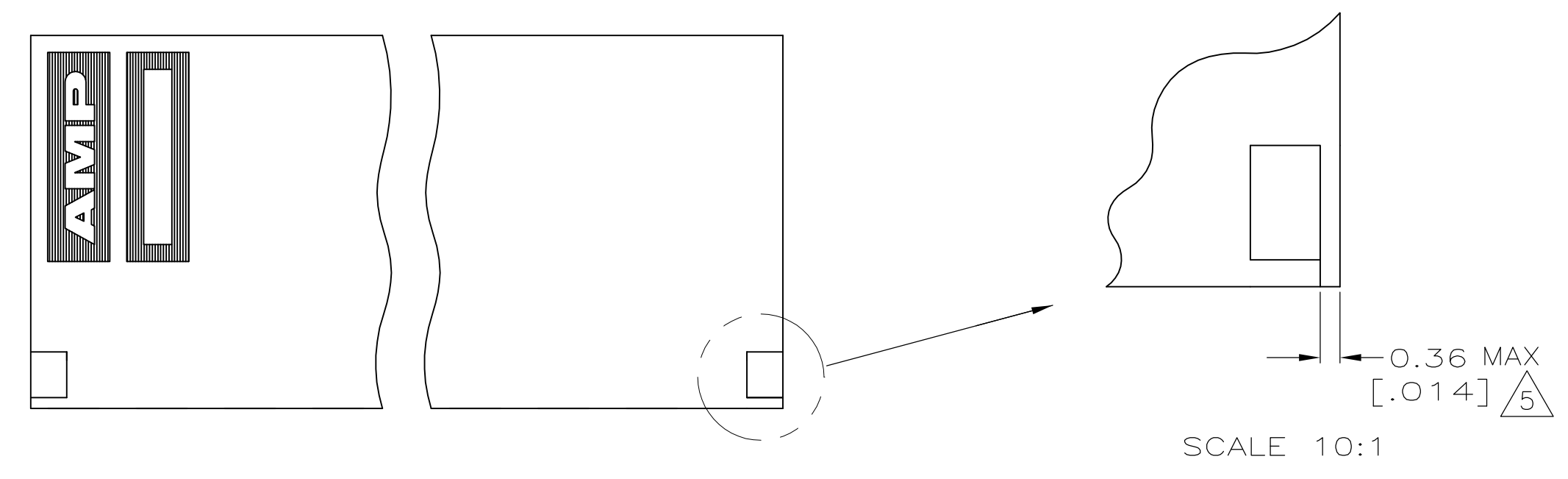


LOC		DIST		REVISIONS			
CM	54	P	LTR	DESCRIPTION	DATE	DMN	APVD
		D		REVISED PER ECO-12-007807	06AUG12	KH	SM

- 1 UNIT ACCEPTS A 1.14[.045] SQUARE OR ROUND POST.
- 2 UNIT ACCEPTS STANDARD SL-156 CONTACTS.
- 3 UNIT ACCEPTS KEYING PLUG 640254-1 AND KEYING PIN 640255-1.
- 4 IDENTIFICATION NUMBER FOR ALL POSITIONS, OR FOR POSITION 1 ONLY, WILL BE LOCATED AS SHOWN.
- 5 OPTIONAL CONSTRUCTION, BOTH ENDS.
- 6 LAST CIRCUIT IDENTIFICATION IS OPTIONAL.
- 7 DIMENSIONS IN BRACKETS ARE IN INCHES.



3-DIMENSIONAL MODEL NTS

1-770996-3 SHOWN

59.44[2.340]	15	1-770996-5
51.49[2.027]	13	1-770996-3
47.52[1.871]	12	1-770996-2
31.62[1.245]	8	770996-8
19.74[.777]	5	770996-5
DIM A	NO OF POSN	PART NUMBER

DIMENSIONS:		TOLERANCES UNLESS OTHERWISE SPECIFIED:		APPROVALS:		MATERIAL:		FINISH:		WEIGHT:		SCALE:		SHEET:		REV:	
mm	[INCHES]	0 PLC	± -	DIN	K. SALMON	7-30-92	NYLON,UL 94V-0 NATURAL					4:1	1	1			
		1 PLC	± -	CHK	R. SWING	7-30-92											
		2 PLC	± -	APVD	F. BEILES	8-3-92											
		3 PLC	± 0.13 [.005]	NAME	HOUSING WITHOUT LOCKING RAMP AND WITH POLARIZING TABS, SL-156												
		4 PLC	± -	PRODUCT SPEC													
		ANGLES	± -	APPLICATION SPEC													
				RESTRICTED TO													
				CUSTOMER DRAWING													

