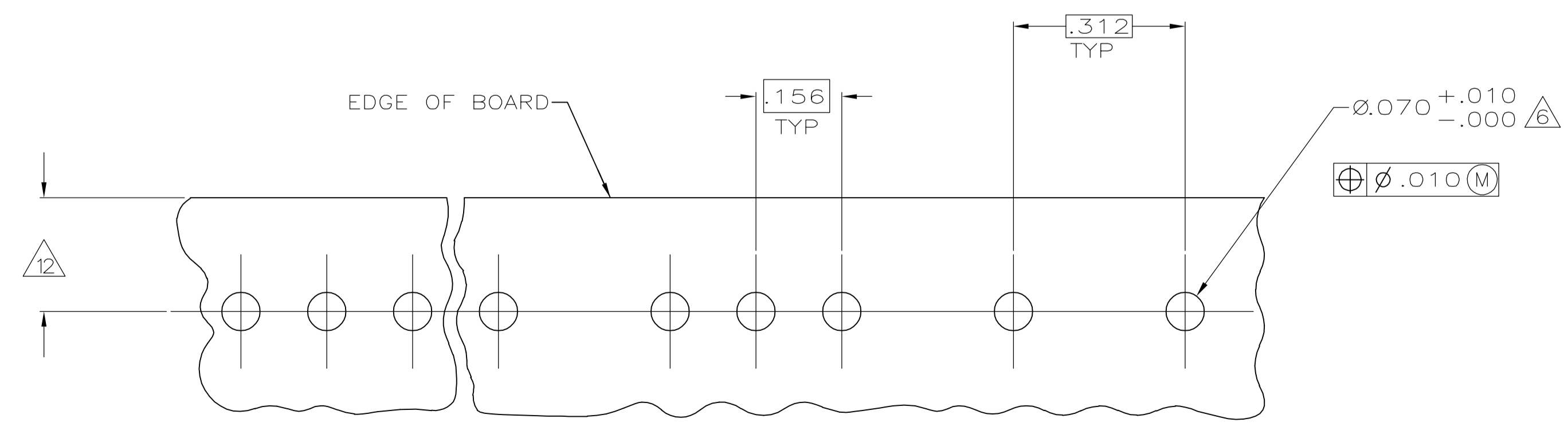


- 1 POST TO WITHSTAND 1.3 NEWTONS (3LBS.) MIN. AXIAL FORCE IN BOTH DIRECTIONS SHOWN WITHOUT DISLODGING.
- 2 TOLERANCES APPLY TO SOLDER SIDE OF BOARD.
- 3 MEASURED AT SURFACE -A-
- 4 PLASTIC FLASH PERMITTED IN THIS AREA.
- 5 PARTS COMPLY WITH AMP SOLDERABILITY SPEC. NO. 109-11-2.
- 6 ONE HOLE MAY BE UNDERSIZED (.065/.060 DIA.) FOR ASSEMBLY RETENTION DURING WAVE SOLDERING.
- 7 MATERIAL: HEADER-THERMOPLASTIC POLYESTER
GLASS-FILLED 94V-0(NATURAL)
POST-COPPER ALLOY (TIN PLATED)
- 8 COORDINATE DIMENSION APPLIES FROM CENTER OF ACTUAL FEATURE.
- 9 PLASTIC BURRS CAUSED BY CUT-OFF TOOLING ARE PERMITTED WITHIN THE MAXIMUM TOLERANCE ENVELOPE.
- 10 POST TO BE MEASURED WHEN STRIP IS HELD FLAT.
- 11 POST MUST WITHSTAND TWO 90° BENDS AGAINST EXTRUSION WITHOUT BREAKING.
- 12 DIMENSION SHOULD BE .140 MIN WHEN MATING WITH A MTA-156 CONNECTOR ASSEMBLY OR A SL-156 CONNECTOR ASSEMBLY.
- 13 PIN BURR OF .005 MAX. VERTICAL AND .003 MAX. HORIZONTAL PERMITTED AT POST TIPS ON BOTH ENDS.



RECOMMENDED MOUNTING HOLE PATTERN FOR .063 THICK P.C. BOARD

.045	1.14	.700	17.78
.030	0.76	.450	11.43
.028	0.71	.312	7.92
.018	0.46	.250	6.35
.015	0.38	.156	3.96
.012	0.30	.140	3.56
.010	0.25	.125	3.18
.008	0.20	.078	1.98
.005	0.13	.070	1.78
.003	0.08	.065	1.65
.001	0.03	.063	1.60
.000	0.00	.060	1.52
IN	MM	IN	MM

CONVERSION TABLE

2,4,& 16	2.808	71.32	18	647289-3
8	2.808	71.32	18	647289-2
2,4,& 8	2.808	71.32	18	647289-1
POST NO.(S) OMITTED	IN	MM	NUMBER OF POSITIONS	PART NUMBER

THIS DRAWING IS A CONTROLLED DOCUMENT.

DIMENSIONS: INCHES	TOLERANCES UNLESS OTHERWISE SPECIFIED:	0 PLC ± -	1 PLC ± -	2 PLC ± -	3 PLC ± .005	4 PLC ± -	ANGLES ± -	FINISH
--------------------	--	-----------	-----------	-----------	--------------	-----------	------------	--------

MATERIAL: FINISH:

DESIGNED BY: B. LEWIS	DATE: 9-28-98	Tyco Electronics Corporation Harrisburg, PA 17105-3608
CHECKED BY: R. SWING	DATE: 9-28-98	
APPROVED BY: C. JONES	DATE: 9-28-98	NAME:
PRODUCT SPEC:		MTA-156 HEADER ASSEMBLY, PLAIN, .045 SQUARE STRAIGHT POST, TIN-PLATED, 18 POSITION, OMITTED POST
APPLICATION SPEC:		SIZE: A1
WEIGHT:	CAGE CODE: 00779	DRAWING NO: 647289
CUSTOMER DRAWING		RESTRICTED TO: -

SCALE: 5:1 SHEET 1 OF 1 REV C

