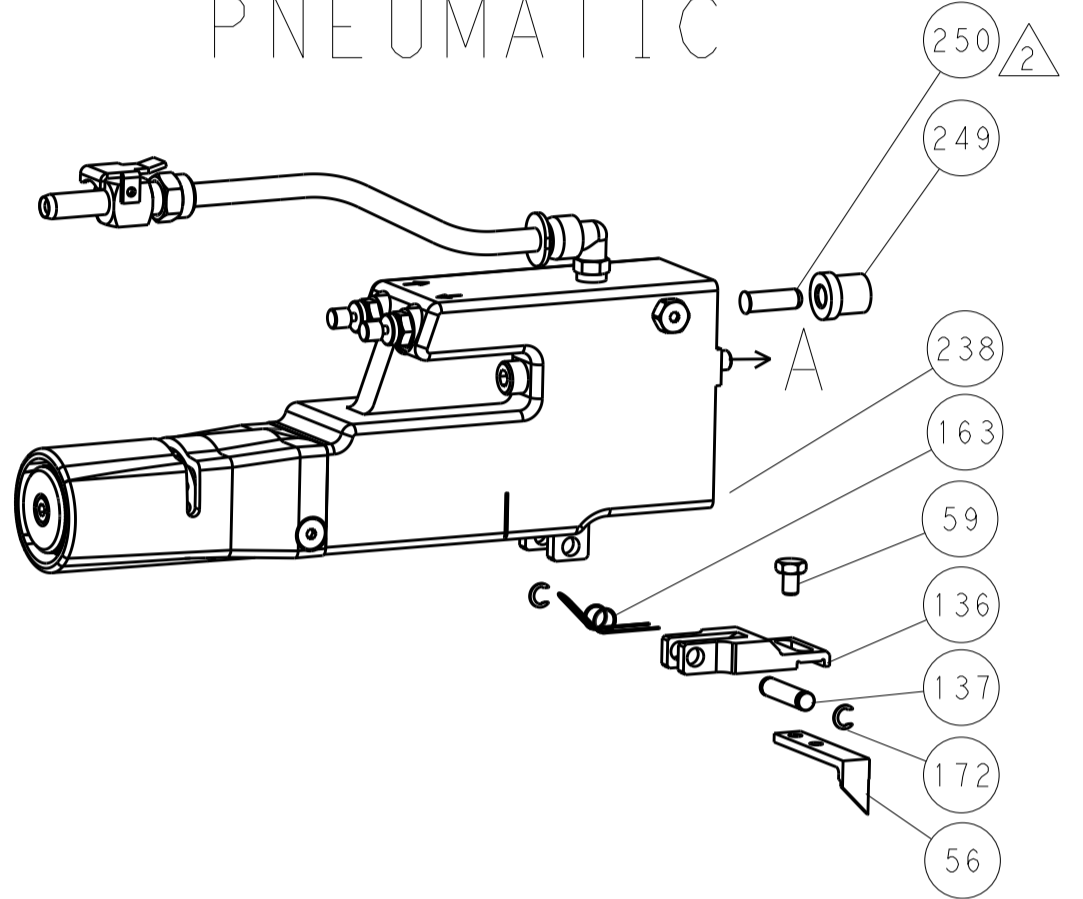


LOC		DIST		REVISIONS			
A	66	P	LTM	DESCRIPTION	DATE	OWN	APVD
		-	-	SEE SHEET 1	-	-	-

FEED TYPE MECHANICAL



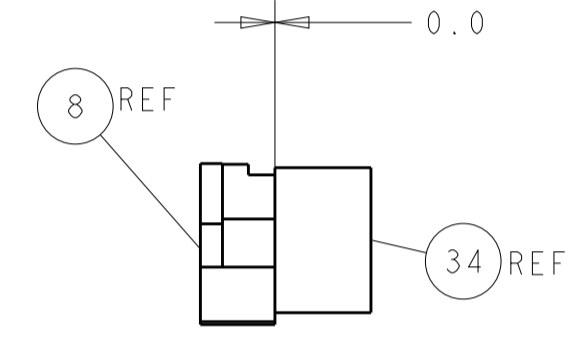
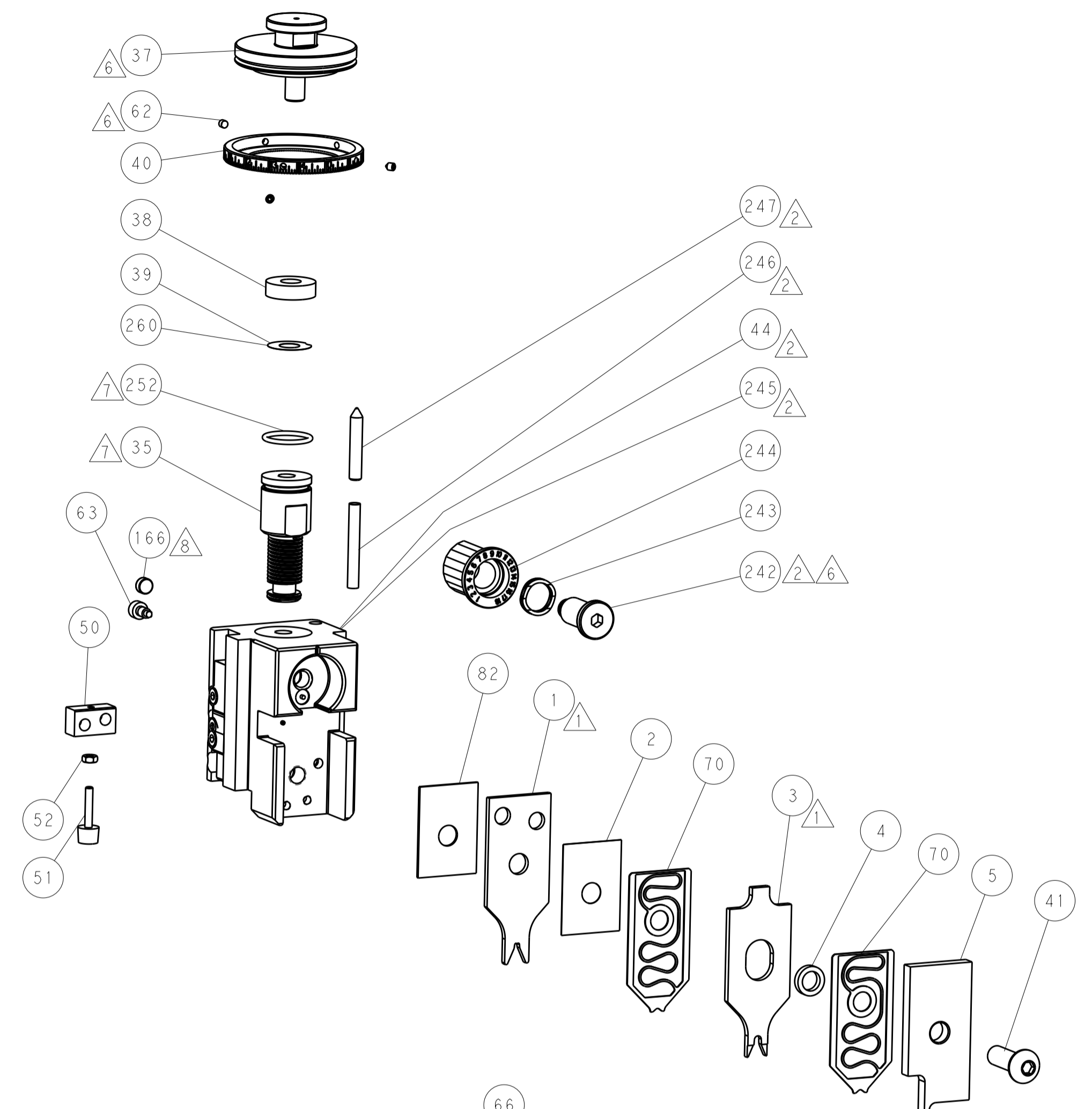
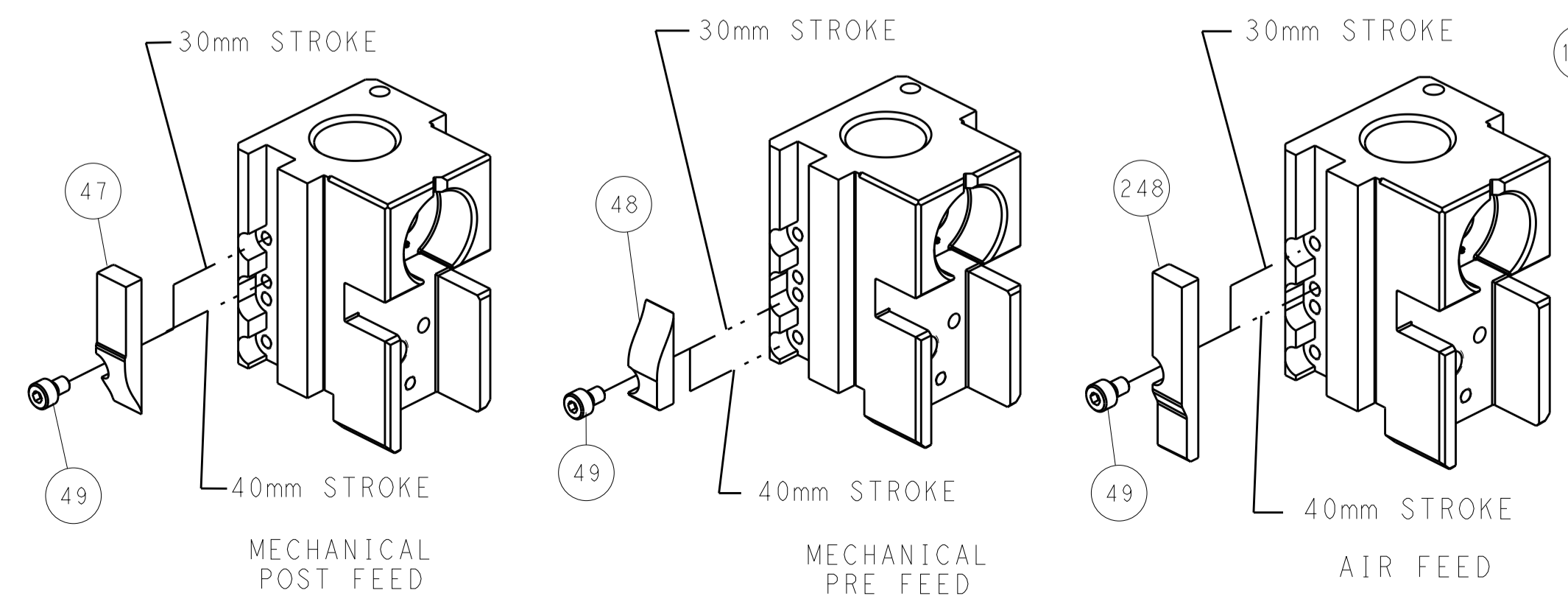
PNEUMATIC



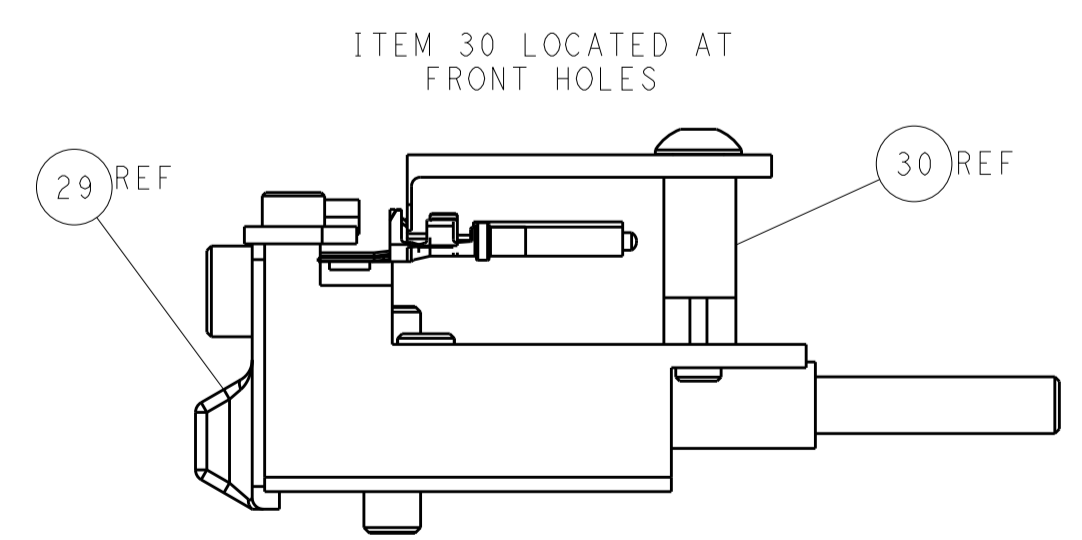
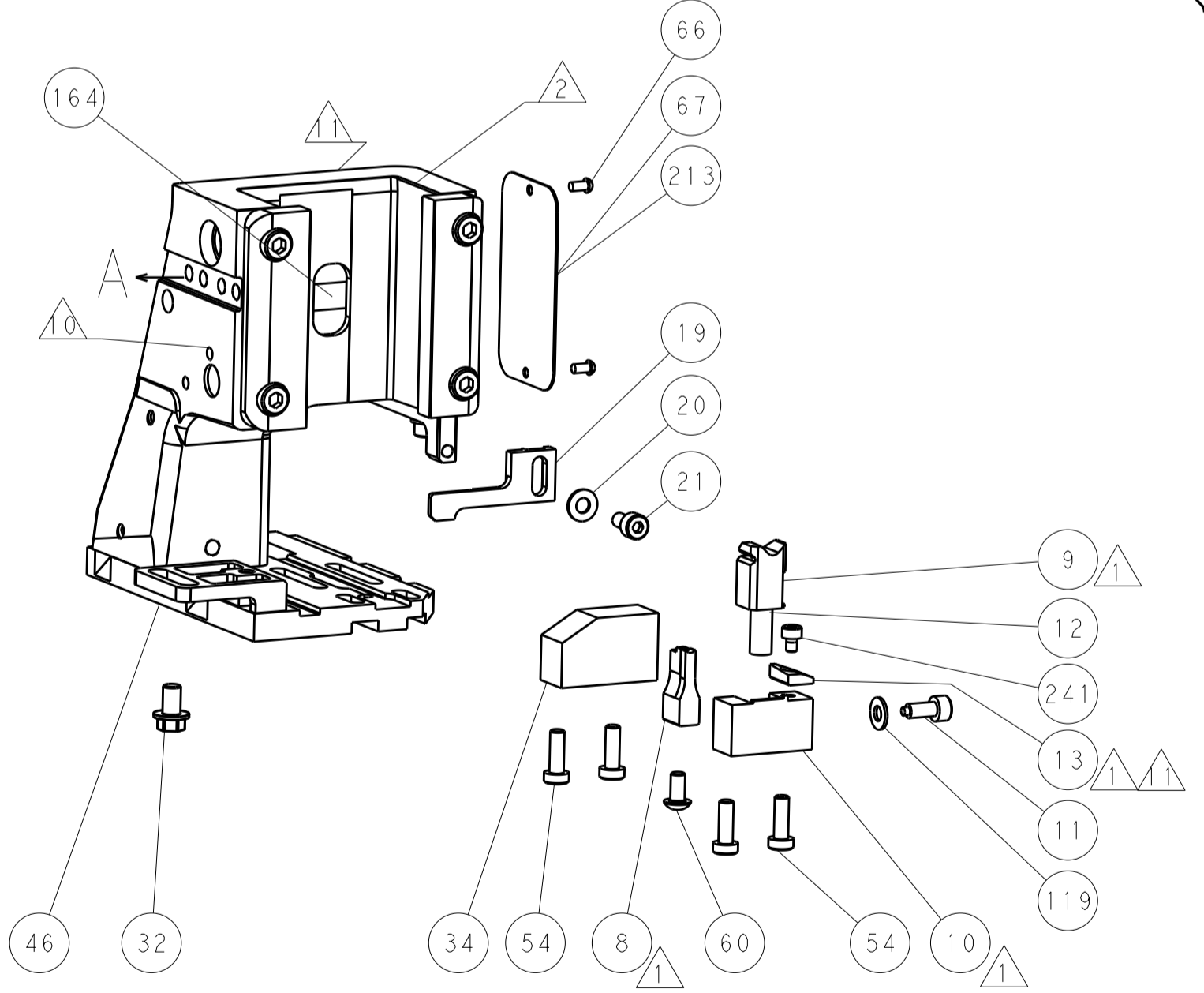
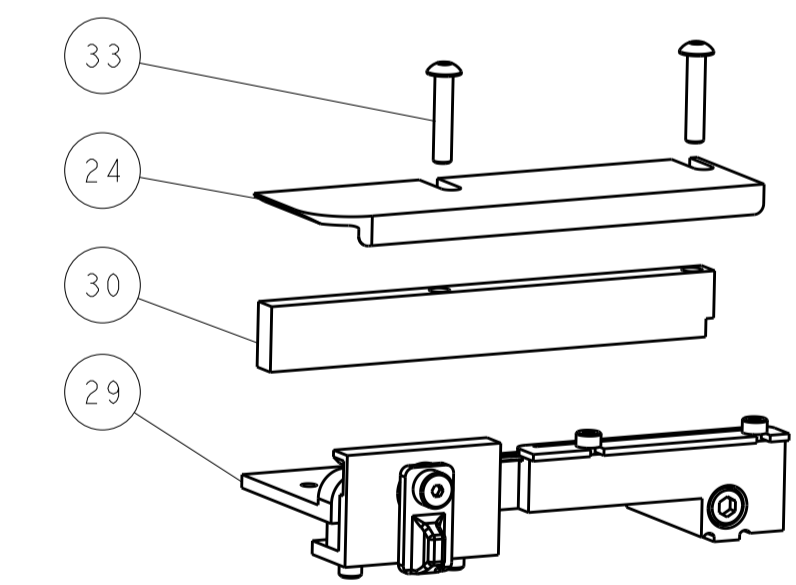
SERVO LATCH PLATE



CAM POSITIONS



TERMINAL SUPPORT LOCATION



FEED TRACK POSITION GUIDE BY INSULATION BARREL

ATLANTIC VERSION
 Shown on sheets 1 of 4 & 2 of 4
 (Pacific version shown on sheets 3 of 4 & 4 of 4)

DIMENSIONS:		TOLERANCES UNLESS OTHERWISE SPECIFIED:		DRAWN: R. KNEPPER 23AUG2013		TE Connectivity	
mm	0 PLC	±		CHK: G. BAILEY 23AUG2013	NAME	Ocean Side Feed Applicator	
	1 PLC	±		APVD: M. CLIFFORD 23AUG2013	PRODUCT SPEC	SIZE	CAGE CODE DRAWING NO
	2 PLC	±			APPLICATION SPEC	RESTRICTED TO	
	3 PLC	±				SCALE	1:2
	4 PLC	±				SHEET	2 of 4
	ANGLES	±				REV	B1
MATERIAL:	FINISH:	WEIGHT:		Customer Accessible Production Drawing			

LOC		DIST		REVISIONS			
A	66	P	LTM	DESCRIPTION	DATE	OWN	APVD
		-	-	SEE SHEET 1	-	-	-

FEED TYPE MECHANICAL



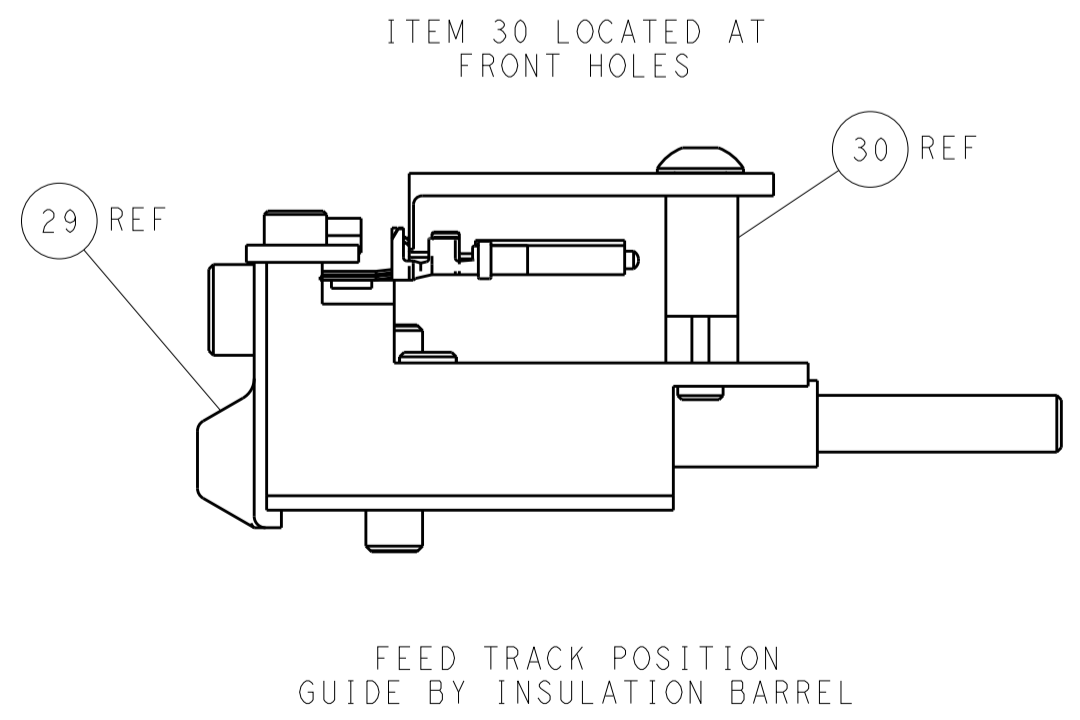
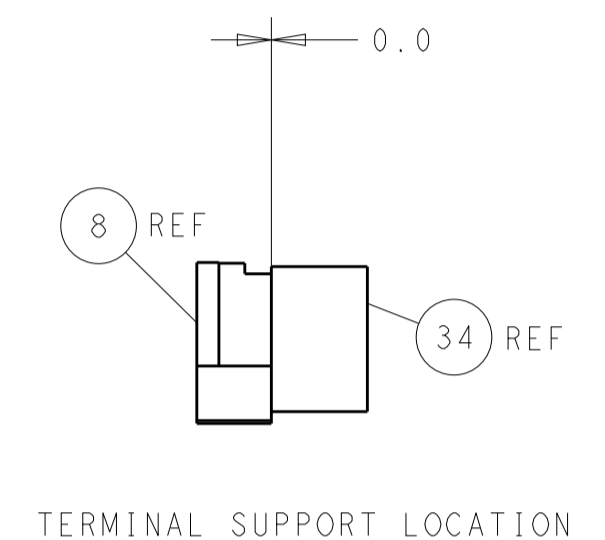
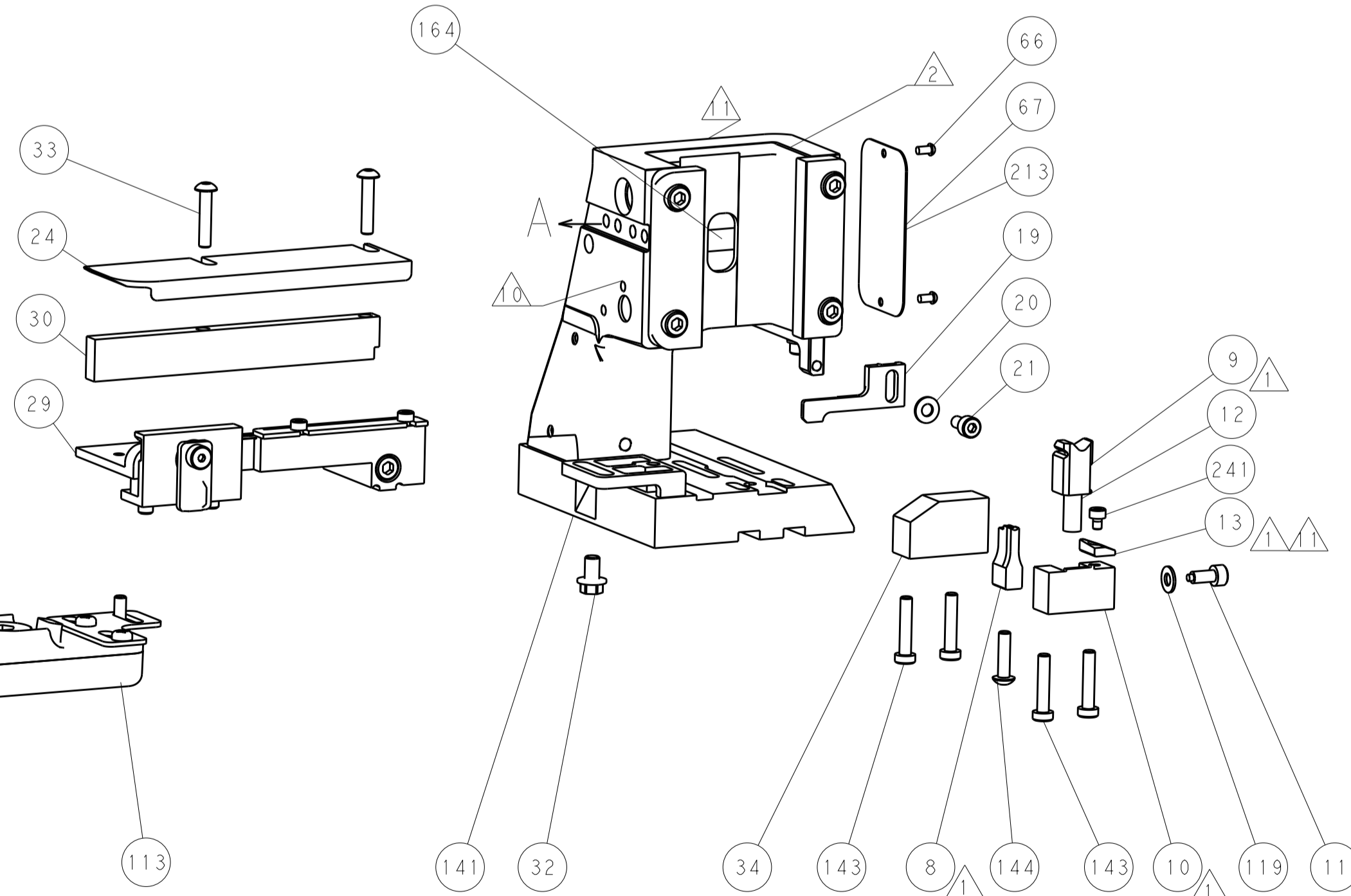
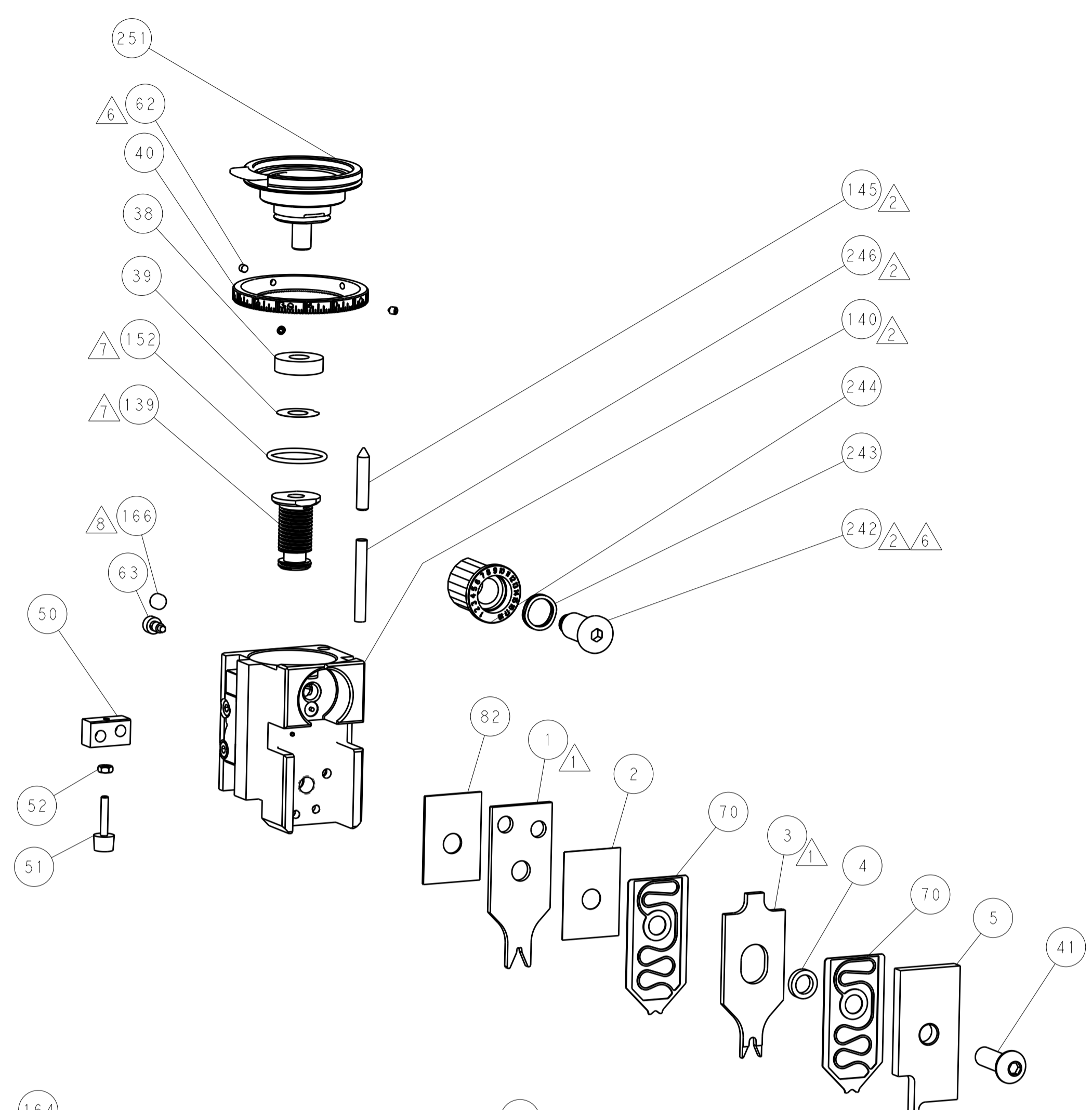
PNEUMATIC



SERVO LATCH PLATE



CAM POSITIONS



PACIFIC VERSION
 Shown on sheets 3 of 4 & 4 of 4
 (Atlantic version shown on sheets 1 of 4 & 2 of 4)

DIMENSIONS:		TOLERANCES UNLESS OTHERWISE SPECIFIED:		DWN R. KNEPPER 23AUG2013 CHK G. BAILEY 23AUG2013 APVD M. CLIFFORD 23AUG2013		TE Connectivity Harrisburg, PA 17105-3608	
mm	0 PLC	±		PRODUCT SPEC	NAME Ocean Side Feed Applicator		
	1 PLC	±		APPLICATION SPEC	SIZE	CAGE CODE	DRAWING NO
	2 PLC	±			A1	00779	2266100
	3 PLC	±		RESTRICTED TO	Customer Accessible Production Drawing		
	4 PLC	±		SCALE	1:2	SHEET	4 OF 4
	ANGLES	±		REV	B1		