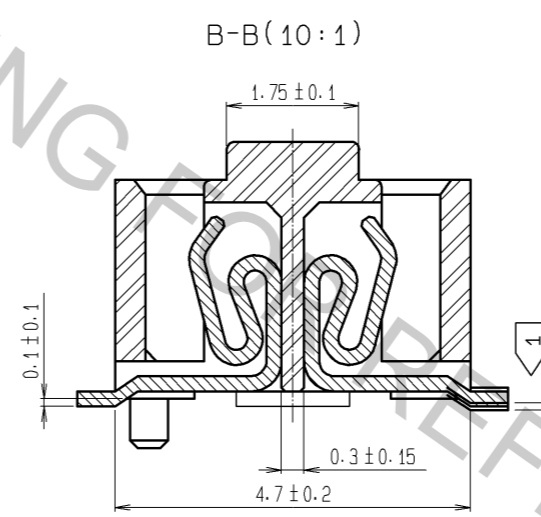
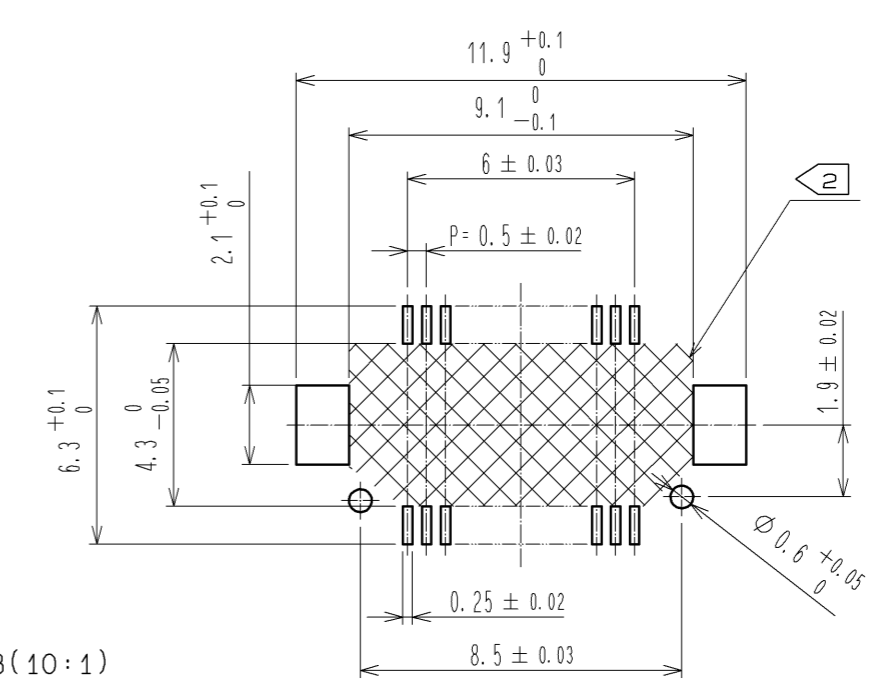


HRS DRAWING FOR REFERENCE

RECOMMENDED PATTERN

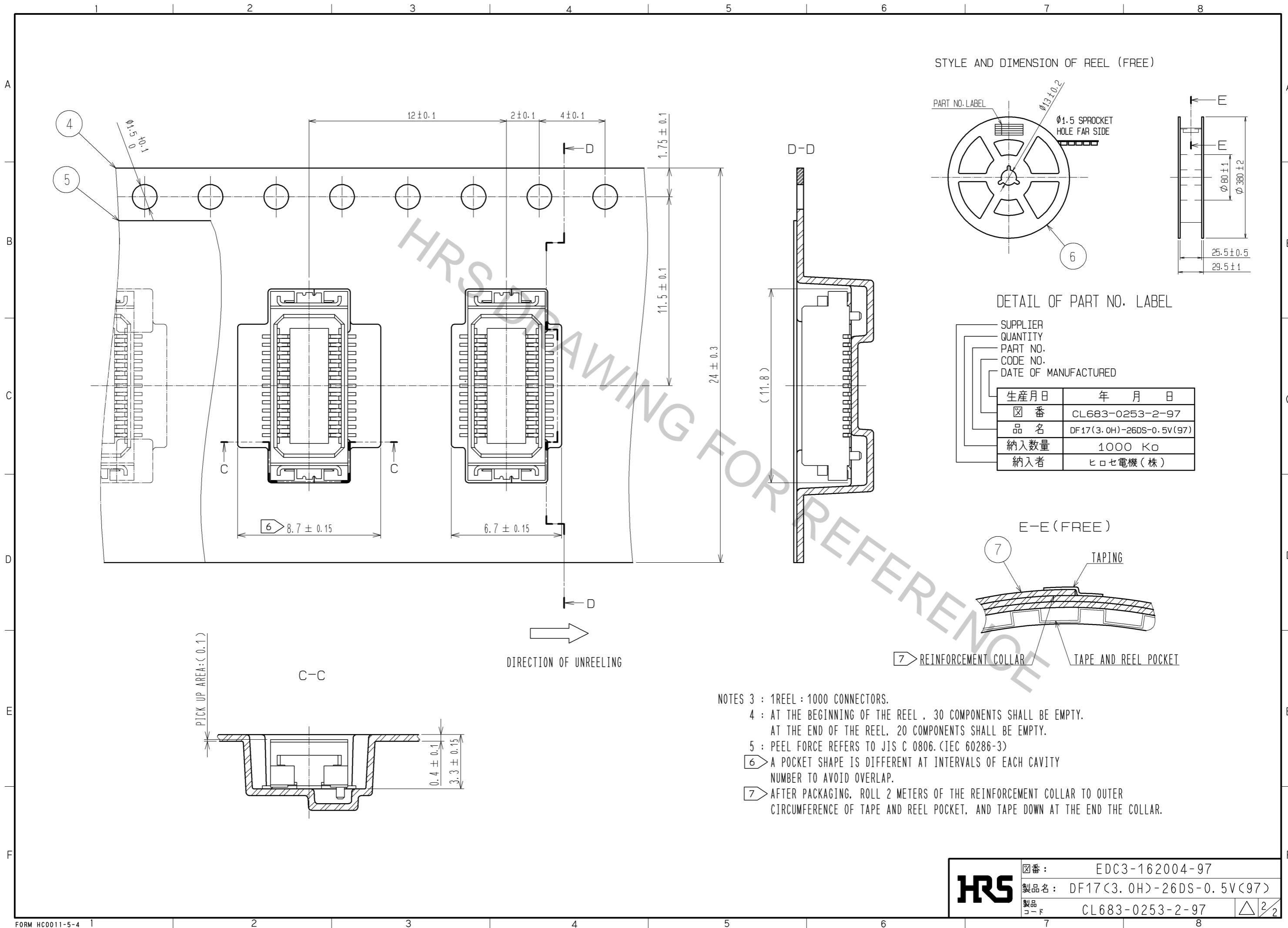


- NOTES
- ① LEAD CO-PLANARITY INCLUDE REINFORCED METAL FITTINGS SHALL BE 0.1mm MAX.
  - ② WATCH NOT LET THE CONTACTS TOUCH THE SECTION ESPECIALLY WHEN THE PADS OF AREA NOT RESIST FINISHED.

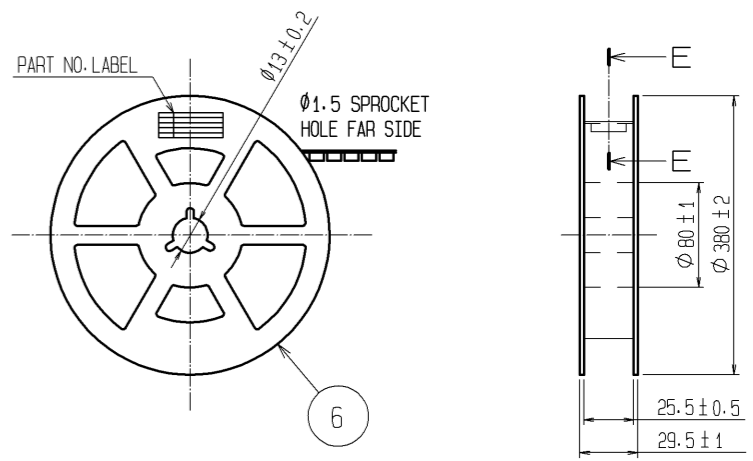
7	PS	CLEAR (REINFORCEMENT COLLAR)
6	PS	BLACK (PLASTIC REEL)
5	POLYESTER	CLEAR (COVER TAPE)
4	PS	CLEAR (EMBOSSED CARRIER TAPE)
3	PHOSPHER BRONZE	TIN PLATED 1µm min UNDER PLATING : NICKEL 1µm min
2	POLYAMIDE (PA6T)	WHITE BEIGE , UL94V-0
1	PHOSPHER BRONZE	CONTACT AREA : GOLD PLATED 0.1µm min LEAD AREA : GOLD PLATED 0.02µm min UNDER PLATING : NICKEL 1µm min

NO.	MATERIAL	FINISH . REMARKS	NO.	MATERIAL	FINISH . REMARKS
7	PS	CLEAR (REINFORCEMENT COLLAR)	7	PS	CLEAR (REINFORCEMENT COLLAR)
6	PS	BLACK (PLASTIC REEL)	6	PS	BLACK (PLASTIC REEL)
5	POLYESTER	CLEAR (COVER TAPE)	5	POLYESTER	CLEAR (COVER TAPE)
4	PS	CLEAR (EMBOSSED CARRIER TAPE)	4	PS	CLEAR (EMBOSSED CARRIER TAPE)
3	PHOSPHER BRONZE	TIN PLATED 1µm min UNDER PLATING : NICKEL 1µm min	3	PHOSPHER BRONZE	TIN PLATED 1µm min UNDER PLATING : NICKEL 1µm min

UNITS mm		SCALE 5 : 1	COUNT △	DESCRIPTION OF REVISIONS	DESIGNED	CHECKED	DATE
HIROSE ELECTRIC CO., LTD.				APPROVED : KH. IKEDA 13.06.27 CHECKED : TS. MIYAZAKI 13.06.26 DESIGNED : TY. YAMASAKI 13.06.26 DRAWN : NT. SEKI 13.06.26	DRAWING NO. EDC3-162004-97 PART NO. DF17(3.0H)-26DS-0.5V(97) CODE NO. CL683-0253-2-97		



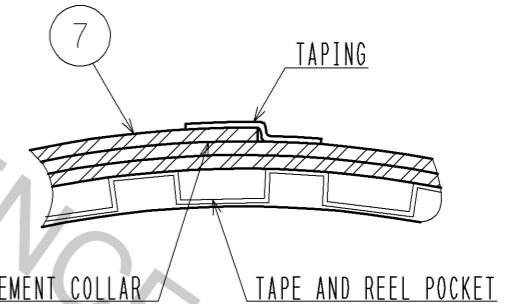
STYLE AND DIMENSION OF REEL (FREE)



DETAIL OF PART NO. LABEL

SUPPLIER	
QUANTITY	
PART NO.	
CODE NO.	
DATE OF MANUFACTURED	
生産月日	年 月 日
図 番	CL683-0253-2-97
品 名	DF17(3.0H)-26DS-0.5V(97)
納入数量	1000 Ko
納入者	ヒロセ電機(株)

E-E (FREE)



- NOTES 3 : 1 REEL : 1000 CONNECTORS.  
 4 : AT THE BEGINNING OF THE REEL , 30 COMPONENTS SHALL BE EMPTY.  
 AT THE END OF THE REEL , 20 COMPONENTS SHALL BE EMPTY.  
 5 : PEEL FORCE REFERS TO JIS C 0806. (IEC 60286-3)  
 6 : A POCKET SHAPE IS DIFFERENT AT INTERVALS OF EACH CAVITY NUMBER TO AVOID OVERLAP.  
 7 : AFTER PACKAGING, ROLL 2 METERS OF THE REINFORCEMENT COLLAR TO OUTER CIRCUMFERENCE OF TAPE AND REEL POCKET, AND TAPE DOWN AT THE END THE COLLAR.

<b>HRS</b>	図番:	EDC3-162004-97
	製品名:	DF17(3.0H)-26DS-0.5V(97)
	製品コード:	CL683-0253-2-97