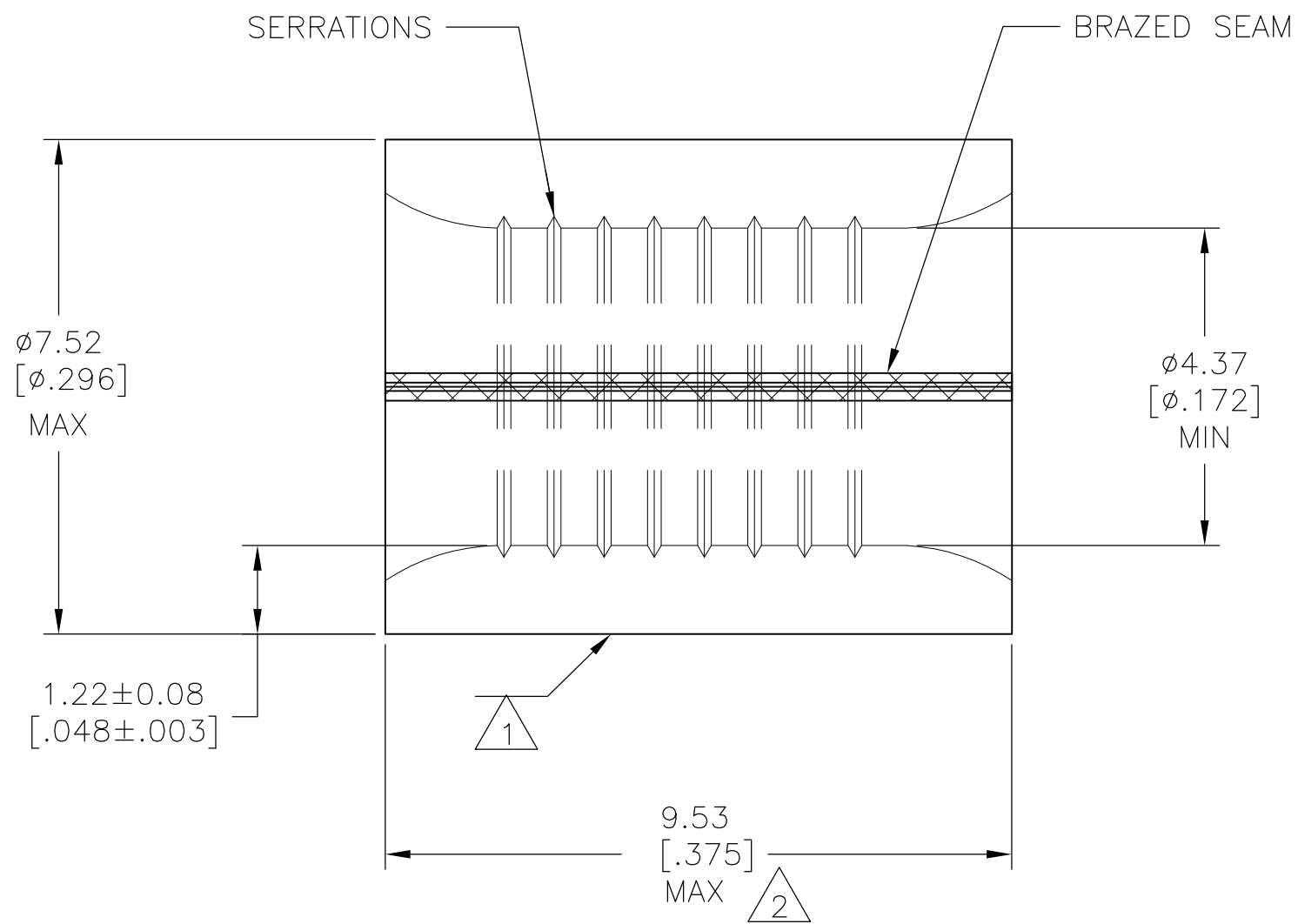


THIS DRAWING IS UNPUBLISHED. RELEASED FOR PUBLICATION  
 © COPYRIGHT - By - ALL RIGHTS RESERVED.

LOC	DIST	REVISIONS					
		P	LTR	DESCRIPTION	DATE	DWN	APVD
G	14		L3	REVISED PER ECO-11-013501	30JUN11	HMR	DR

**AMP**  
WIRE RANGE

8 AWG  
SOLID OR STRANDED



- 1 STAMP AMP 8W\* APPROX AS SHOWN
- 2 MAXIMUM LENGTH DOES NOT INCLUDE MANUFACTURING TABS
- 3 COPPER PER ASTM B-152 ANNEALED
- 4 UL LISTED E13288, 8 AWG STRANDED.
- 5 CSA CERTIFIED LR7189, 8 AWG SOLID OR STRANDED
- 6 TIN PLATE 0.00254[.000100] MIN THK PER ASTM B545
- 7 NICKEL PLATE 0.01651[.000650] MIN THK PER SAE AMS QQ-N-290
- 8 TIN/LEAD (60/40) PLATE, 0.00254 [.000100] MIN THK PER SAE-AMS-P-81728
- 9 GOLD PLATE 0.00127[.000050] MIN EXT THK PER ASTM B488 TYPE 1, CODE C OVER NICKEL PLATE 0.00127[.000050] MIN EXT THK PER SAE AMS QQ-N-290 OVER Cu FLASH PER SAE AMS 2418
- 10 NOTE DELETED.

4 5	25	LOOSE PIECE	170°C[338°F]	6	8-34318-3
4 5	1000	LOOSE PIECE	170°C[338°F]	6	2-34318-3
---	100	LOOSE PIECE	343°C[650°F]	7	2-34318-1
---	100	LOOSE PIECE	260°C[500°F]	9	34318-3
---	100	LOOSE PIECE	170°C[338°F]	8	34318-1
4 5	500	LOOSE PIECE	170°C[338°F]	6	34318
APPROVALS	QTY	PACKAGE TYPE	MAX OPERATING TEMP	FINISH	PART NO
THIS DRAWING IS A CONTROLLED DOCUMENT.		DWN TA BRINKMAN 4-5-93			
DIMENSIONS: mm [INCHES]		CHK DA PATTERSON 4-5-93			
TOLERANCES UNLESS OTHERWISE SPECIFIED:		APVD DA PATTERSON 4-5-93			
0 PLC ± -		PRODUCT SPEC			
1 PLC ± -		APPLICATION SPEC	NAME SPLICE, PARALLEL, SOLISTRAND		
2 PLC ± -		---	SIZE A2	CAGE CODE 00779	DRAWING NO C=34318
3 PLC ± -		MATERIAL - 3	WEIGHT -	SCALE 10:1	SHEET 1 OF 1
4 PLC ± -		FINISH SEE TABLE	CUSTOMER DRAWING	REV L3	RESTRICTED TO -
4 ANGLES ± -					

<b>AMP INCORPORATED</b>		MAX RECOMMENDED OPERATING TEMPERATURE: SEE TABLE
<b>CUSTOMER SERVICE SYSTEMS</b>		
FOR ADDITIONAL PRODUCT INFORMATION OR COPIES OF DRAWINGS AND TECHNICAL DOCUMENTS	PRODUCT INFORMATION CENTER 1-800-522-6752	VOLTAGE RATING: N/A
FOR APPLICATION TOOLING INFORMATION	TOOLING ASSISTANCE CENTER 1-800-722-1111	CIRCULAR MIL AREA: 6.64-10.5mm²[13,100-20,800] SOLID OR STRANDED
FOR ORDER ENTRY	1-800-526-5142	THIS DRAWING IS A CONTROLLED DOCUMENT FOR AMP INCORPORATED. IT IS SUBJECT TO CHANGE AND THE CONTROLLING ENGINEERING ORGANIZATION SHOULD BE CONTACTED FOR THE LATEST REVISION.