

THIS DRAWING IS UNPUBLISHED. RELEASED FOR PUBLICATION
 © COPYRIGHT BY TYCO ELECTRONICS CORPORATION. ALL RIGHTS RESERVED.

LOC	DIST	REVISIONS					
		P	LTR	DESCRIPTION	DATE	DWN	APVD
J	—	A		REVISED ECR-08-015164	16JUN'08	J.S	S.M

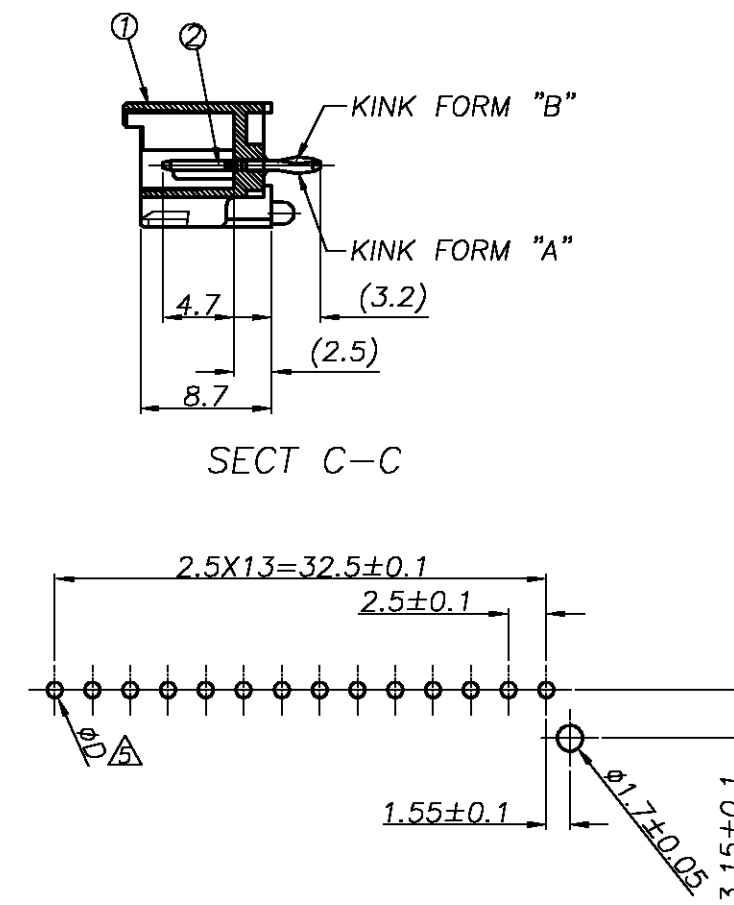
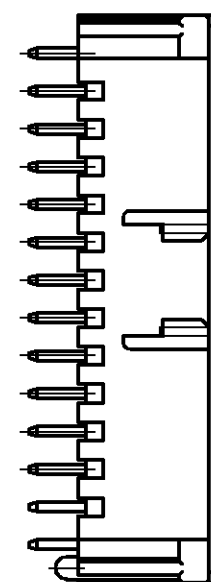
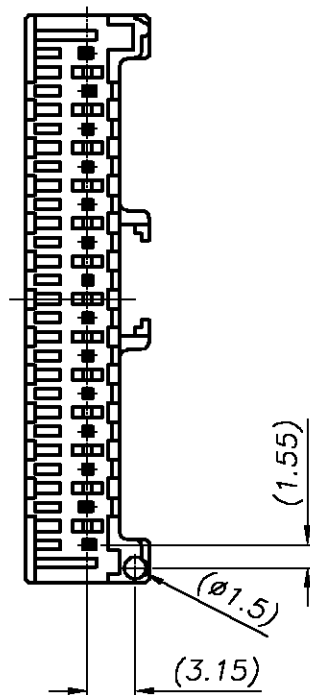
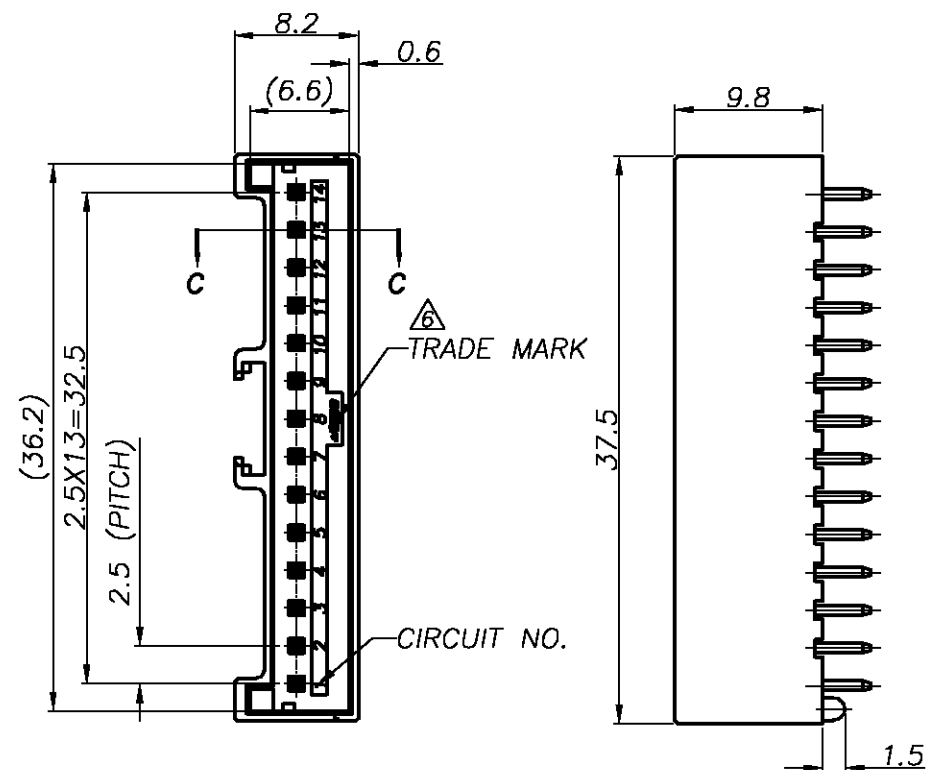


TABLE 1

PART NO.	PART NAME	MATERIAL & FINISH
①	HDR HOUSING	66 NYLON GLASS FILLED(UL94V-0)
②	POST CONTACT	PRE TIN COPPER ALLOY

TABLE 3

TRADE MARK	MANUFACTURING PLACE
	KOREA

NOTES

1. APPLICABLE P.C.B THK.;1.6t
2. MATING CONN. P/N
 PLUG HOUSING(66 NYLON):1743063
 REC CONTACT (L) ; 917683
 REC CONTACT (M) ; 917684
- ③ KINKING POSITION (SEE TABLE2)
- ④ APPLICABLE P.C.B LAYOUT SEE FIG.1
- ⑤ APPLICABLE P.C.B HOLE DIA.
 PUNCHED HOLE ; $0.9^{+0.1}_0$
 DRILLED HOLE ; 1.1 ± 0.05
- ⑥ SEE TABLE 3

TABLE 2

TYPE OF KINK FORM	CIRCUIT NO.														WITH	WITH	RED	14	1746062-2
	1	2	3	4	5	6	7	8	9	10	11	12	13	14					
A	B	—	—	—	—	—	—	—	—	—	—	—	A	B	BOSS	KINK FORM	COLOR	Pos.	P/N

THIS DRAWING IS A CONTROLLED DOCUMENT.

DWN J.SATO 16JUN2008	Tyco Electronics Corporation Kawasaki, Japan
CHK S.MANABE 16JUN2008	
APVD S.MANABE 16JUN2008	NAME 名称 2.5mm SIGNAL DBL-LOCK 14P POST HEADER ASS'Y(V-TYPE)
PRODUCT SPEC 製品規格 108-5459	SIZE A3
APPLICATION SPEC 取付適用規格 114-5203	CAGE CODE 00779
WEIGHT	DRAWING NO 番号 C-1746062
CUSTOMER DRAWING	RESTRICTED TO —
SCALE 尺度 2:1	SHEET 1 OF 1
	REV A