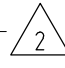
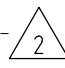
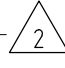
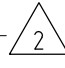



|          |      |           |     |                           |           |     |      |
|----------|------|-----------|-----|---------------------------|-----------|-----|------|
| LOC<br>J | DIST | REVISIONS |     |                           |           |     |      |
|          |      | P         | LTR | DESCRIPTION               | DATE      | DWN | APVD |
|          |      | C1        |     | REVISED PER ECR-15-018167 | 14JAN2016 | IT  | WH   |

|  |                         |            |                    |                                   |                                 |   |   |
|--|-------------------------|------------|--------------------|-----------------------------------|---------------------------------|---|---|
| 塩ビケース詰 1.25 F-P コネクタ (基板対基板接続用)<br>2列仕様 ポスト ヘッド アッセンブリ<br>サークルマウントタイプ 基板位置決め用ボス無 壁補強型<br>TUBE PACKAGING 1.25 F-P CONNECTOR (B-TO-B)<br>DOUBLE ROW POST HDR ASS'Y SMT TYPE WITHOUT BOSS<br>-IMPROVED TYPE |                         | 30         | 20                 | 9-                                | 0                               | 9-  | 0 |
|  | 720999-4                | 26         | 25                 | 8-                                | 6                               | 8-<br>   | 6 |
|  | 2-912050-0              | 16         | 40                 | 4-                                | 6                               | 4-<br>   | 6 |
|  |                         | 30         | 20                 | 3-                                | 0                               | 3-<br>   | 0 |
|  |                         | 24         | 25                 | 2-                                | 4                               | 2-<br>  | 4 |
|  | 1-912050-7              | 22         | 30                 | 2-176769-2                        |                                 | 2-<br> |   |
| 名称<br>NAME   | 塩ビケース<br>型番<br>TUBE P/N | 極数<br>Pos. | 数量<br>(ヶ)<br>QTY'S | コネクタ型番<br>(バラ状)<br>CONN P/N (L/P) | 塩ビケース詰<br>コネクタ型番<br>IN TUBE P/N |   |   |

注記

1. 包装規格 : 107-5123-2

NOTES

1. PACKAGING SPEC : 107-5123-2

 OBSOLETE PARTS.

鉛フリー  
LEAD FREE


RELEASED FOR PUBLICATION

ALL RIGHTS RESERVED.

By -

© COPYRIGHT

THIS DRAWING IS UNPUBLISHED.

|   |                   |   |  |            |
|---|-------------------|---|--|------------|
| DIMENSIONS:<br>mm   | DWN<br>S.KANEKI   | 06FEB91   | MATERIAL   | FINISH     |
|   | CHK<br>J.TANIGAWA | 06FEB91   |  TE Connectivity |            |
| TOLERANCES UNLESS OTHERWISE SPECIFIED:                          | APVD<br>S.KIKUCHI | 17SEP91   |  |            |
| 0 PLC ±<br>1 PLC ±<br>2 PLC ±<br>3 PLC ±<br>4 PLC ±<br>ANGLES ± | PRODUCT SPEC      | NAME<br>TUBE PACKAGNG 1.25 F-P CONNECTOR (B-TO-B) DOUBLE ROW POST<br>HDR ASS'Y SMT TYPE WITHOUT BOSS -IMPROVED TYPE |  |            |
|   | APPLICATION SPEC  | SIZE  | CAGE CODE  | DRAWING NO |
|   | WEIGHT            | A4  | 00779  | C-176771   |
|   | CUSTOMER DRAWING  | SCALE   | SHEET  | REV        |
|   |                   | ///   | 1 OF 1   | C1         |