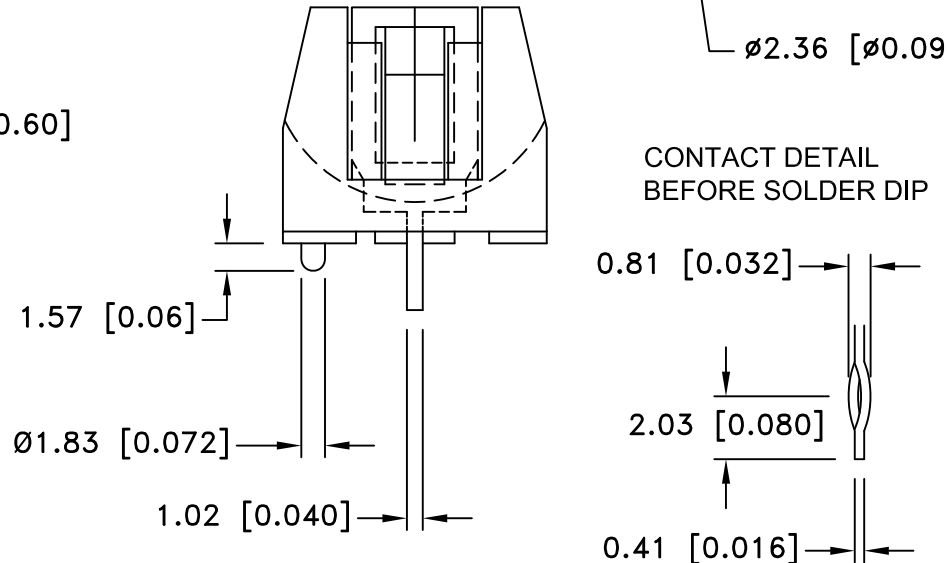
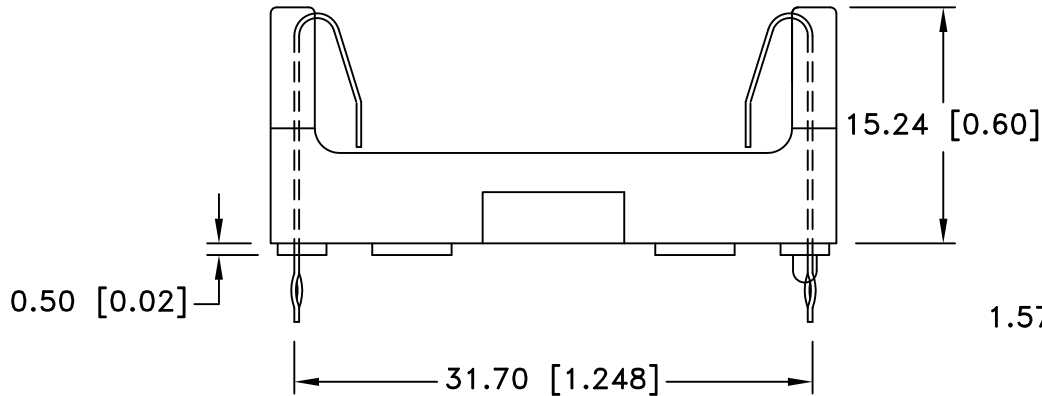
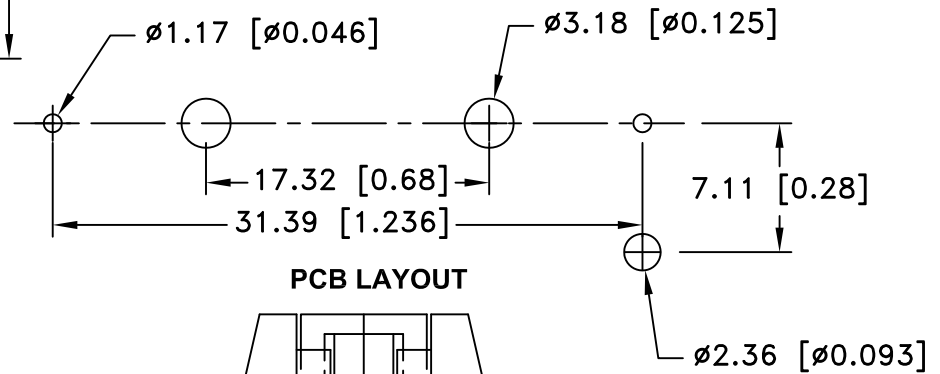


Date	SYM	REVISION RECORD	AUTH	DR.	CK.
8/13/10	A	UPDATED PCB LAYOUT	T.B.	B.S.	
10/26/12	B	UPDATED HOUSING CONFIGURATION	T.B.	B.S.	
11/30/12	C	DIM. 37.13 WAS 36.00 DIM. 17.32 WAS 17.04 DIM. Ø1.83 WAS Ø1.57	T.B.	B.S.	



**SPECIFICATIONS:**

HOLDER MATERIAL: SELF EXTINGUISHING THERMOPLASTIC, BLACK PBT

FLAMABILITY RATING:UL94V-0, FILE #E53829

CONTACTS: 302 SPRING TEMPER STAINLESS STEEL, NICKLE

PLATED OVERALL, SOLDER DIPPED PCB TAILS

DIELECTRIC STRENGTH: 560 VOLTS/MIL AT 25°C FOR 5 SEC.


TEMPERATURE RANGE: -55°C TO +180°C

RESISTANCE TO SOLVENTS: XYLENE, ETHYL , BUTYL, MRTHYL, PROPYL ALCOHOL, ETHYL ACETATE, HEPTANE, TOLUENE, REFRIGERANT

ROHS COMPLIANT

**NOTES:**

EYELET STIMPSON STYLE#A1883 0.110" OD x 0.190" FLANGE  
FLANGE RECESS Ø0.203" x 0.090" DEEP  
ACCEPTS STANDARD 2-56 MACHINE SCREWS

Tolerance (Except as noted)	 <b>Memory Protection Devices, Inc</b> 200 Broad Hollow Road, Farmingdale, New York 11735		
	decimal ±.5 (.020)	Scale	Drawn By B.S. Approved By T.B.
Fractional ± .8 (.030)	Title CR2 BATTERY HOLDER, PCB MOUNTING		
Angular ± 3°	Date 11/30/12	Drawing Number BH-CR2-PC	