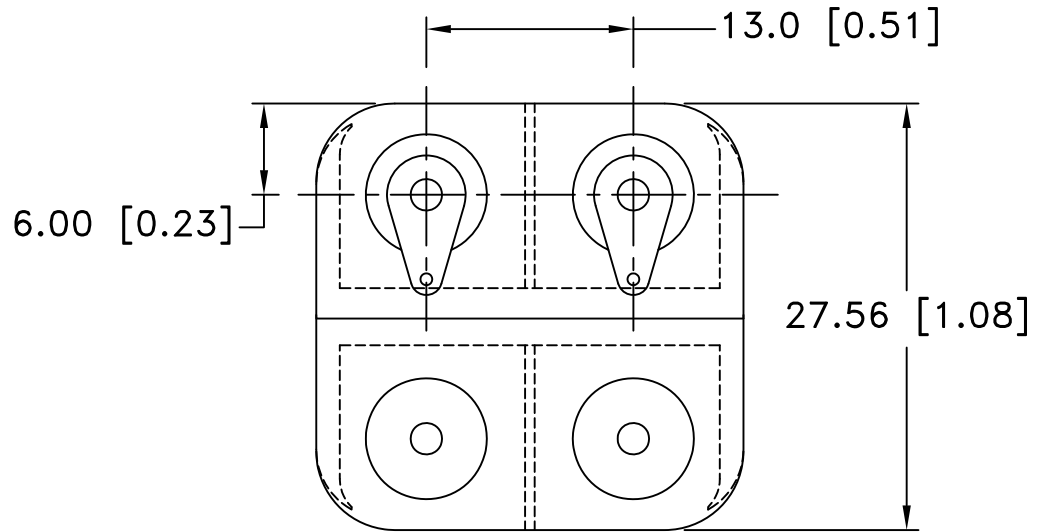


| Date     | SYM | REVISION RECORD               | AUTH | DR.  | CK. |
|----------|-----|-------------------------------|------|------|-----|
| 02/22/13 | A   | UPDATED TO "ROHS 2 COMPLIANT" | T.B. | B.S. |     |
|          |     |                               |      |      |     |
|          |     |                               |      |      |     |
|          |     |                               |      |      |     |




NOTES:

1. MATERIAL:

- HOUSING : POLYPROPYLENE
- FLAMMABILITY RATING: UL94 HB, UL FILE NO. E216959
- TEMPERATURE RANGE: -10°C TO +100°C
- RIVETS: BRASS, NICKLE PLATED.
- SPRING: SPRING STEEL, NICKLE PLATED.
- CONTACT RESISTANCE: UNDER 50m Ω FOR ± CONTACTS PER EIA-540J000
- ROHS 2 COMPLIANT

MOUNTING INSTRUCTION:

USE 2-56 MACHINE SCREWS OR EYELETS 0.089" OD BY 0.15" FLANGE STIMPSON GS-3 SERIES OR EQUIVALENT. ALSO ADHESIVES AND DOUBLE SIDED TAPES WORK WELL.

|                                |   |                         |                  |
|--------------------------------|---|-------------------------|------------------|
| Tolerance<br>(Except as noted) |  <b>Memory Protection Devices, Inc</b><br>200 Broad Hollow Road, Farmingdale, New York 11735 | Scale                   | Drawn By B.S.    |
|                                |   |                         | Approved By T.B. |
| Fractional<br>± .8 (.030)      | Title<br>FOUR "N" CELL HOLDER   |                         |                  |
| Angular<br>± 3°                | Date<br>02/22/13  | Drawing Number<br>BH4NL |                  |