

THIS DRAWING IS UNPUBLISHED.

RELEASED FOR PUBLICATION

REVISIONS

© COPYRIGHT - By -

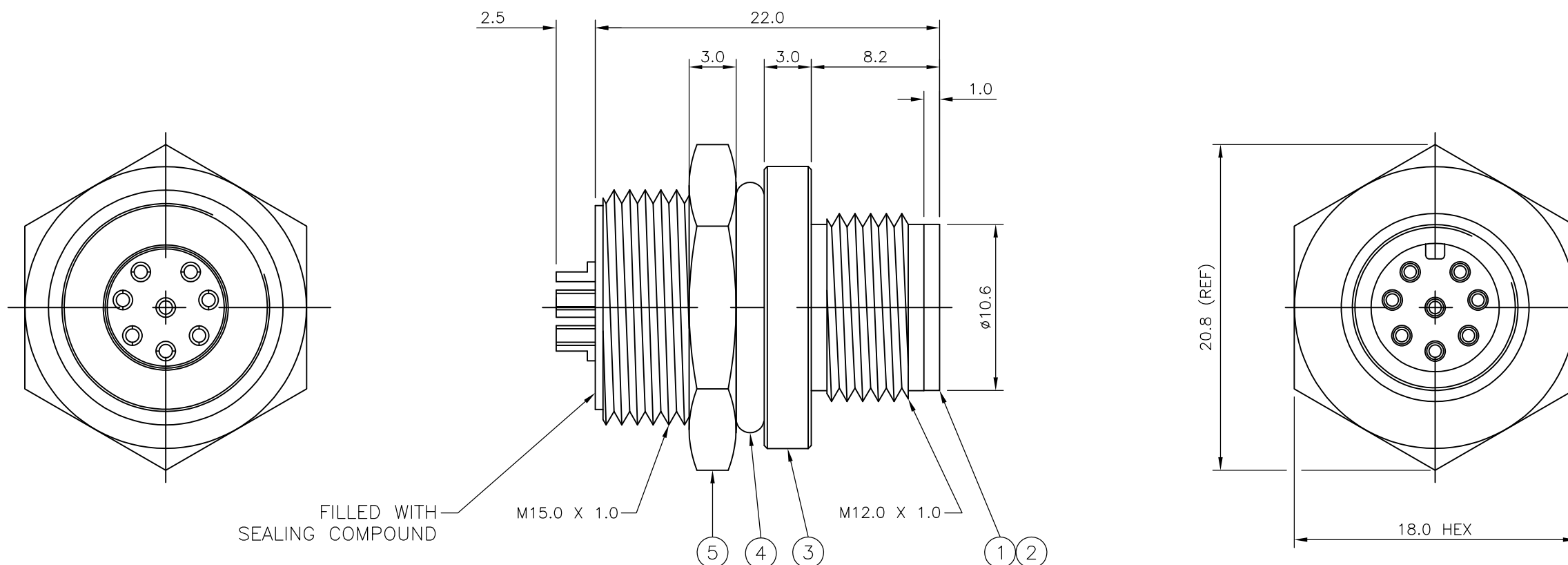
ALL RIGHTS RESERVED.

P	LTR	DESCRIPTION	DATE	DWN	APVD
	A2	ALLOWABLE WIRE SIZES ADDED IN TABLE	07AUG2015	TJ	NG

NOTES:

- ELECTRICAL DATA: CONTACT RESISTANCE: 10 mOhm MAX  
INSULATION RESISTANCE: 100 MOhm MIN at 500VDC  
CURRENT RATING: 5 AMPS (FOR 3, 4 AND 5 POSITIONS) AND 2 AMPS (FOR 8 POSITION ONLY)  
BREAKDOWN VOLTAGE: 500 VAC MIN PER MINUTE
- ENVIRONMENTAL: OPERATING TEMPERATURE: -25°C TO +90°C  
SEALING REQUIREMENTS: IP67
- PACKAGING: 107-3334
- FOR TECHNICAL DATA REFER TO YOUR LOCAL TE CONNECTIVITY SALES OFFICE.
- ALL DIMENSIONS ARE NOMINAL FOR REFERENCE ONLY UNLESS OTHERWISE STATED.

ITEM	DESCRIPTION	MATERIAL	FINISH/COLOUR	QUANTITY / ITEM			
				-1	-2	-3	-4
1	CONNECTOR HOUSING	GF NYLON	BLACK	1	1	1	1
2	PIN CONTACT	BRASS	0.15µm GOLD OVER NICKEL	3	4	5	8
3	CONNECTOR BODY	BRASS	NICKEL PLATED	1	1	1	1
4	'O' RING	EPDM	BLACK	1	1	1	1
5	SCREW NUT	BRASS	2.5µm NICKEL PLATED	1	1	1	1



ALLOWABLE WIRE SIZE	DESCRIPTION	NO. OF POS	PART NUMBER
24AWG	M12 METAL MALE PANEL MOUNT CONNECTOR, SOLDER, STRAIGHT, REAR (CIRCULAR) MOUNTING	8	1838418-4
22AWG	M12 METAL MALE PANEL MOUNT CONNECTOR, SOLDER, STRAIGHT, REAR (CIRCULAR) MOUNTING	5	1838418-3
22AWG	M12 METAL MALE PANEL MOUNT CONNECTOR, SOLDER, STRAIGHT, REAR (CIRCULAR) MOUNTING	4	1838418-2
22AWG	M12 METAL MALE PANEL MOUNT CONNECTOR, SOLDER, STRAIGHT, REAR (CIRCULAR) MOUNTING	3	1838418-1

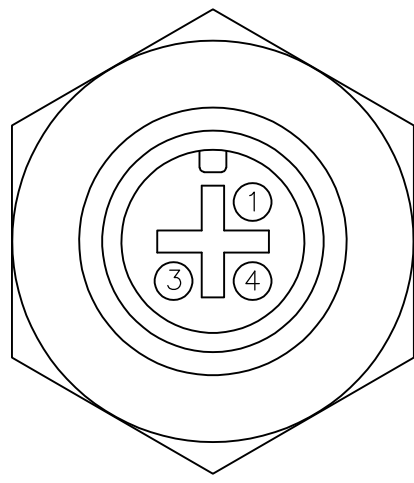
THIS DRAWING IS A CONTROLLED DOCUMENT.		DWN A.Morey 09MAR06	<b>STE</b> TE Connectivity	
DIMENSIONS: mm		CHK F.Wheeler-King 12APR06		
TOLERANCES UNLESS OTHERWISE SPECIFIED:		APVD F.Wheeler-King 12APR06	NAME M12 METAL MALE PANEL MOUNT CONNECTOR, SOLDER, STRAIGHT, REAR (CIRCULAR) MOUNTING	
0 PLC ± -		PRODUCT SPEC 108-3641	DRAWING NO C-1838418	
1 PLC ± -		APPLICATION SPEC	SIZE A3	CAGE CODE 00779
2 PLC ± -		MATERIAL	DRAWING NO C-1838418	RESTRICTED TO
3 PLC ± -		FINISH	SCALE NTS	SHEET 1 OF 2
4 PLC ± -			REV A2	
ANGLES ± -				
MATERIAL		WEIGHT	CUSTOMER DRAWING	

THIS DRAWING IS UNPUBLISHED. RELEASED FOR PUBLICATION  
 © COPYRIGHT - By - ALL RIGHTS RESERVED.

REVISIONS				
P	LTR	DESCRIPTION	DATE	APVD
-	-	SEE SHEET 1	-	-

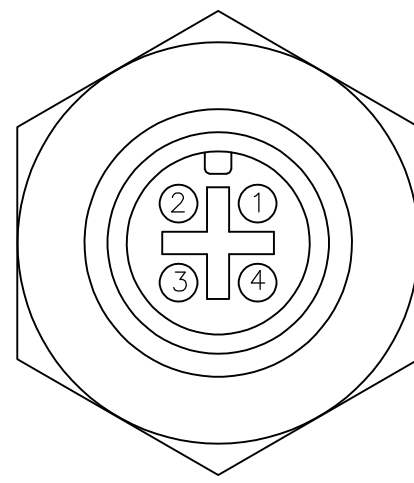
1838418-1

PIN ASSIGNMENTS  
FRONT VIEW



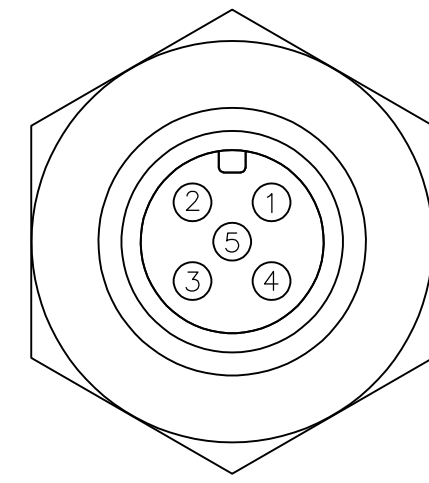
1838418-2

PIN ASSIGNMENTS  
FRONT VIEW



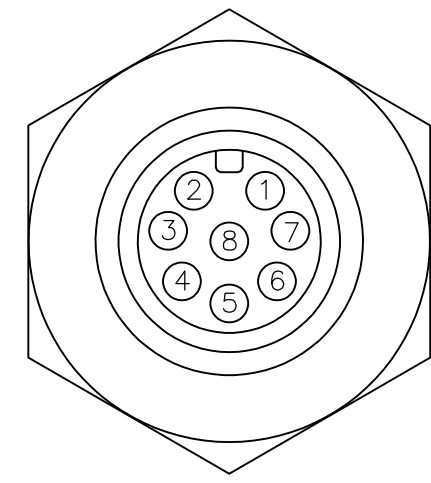
1838418-3

PIN ASSIGNMENTS  
FRONT VIEW

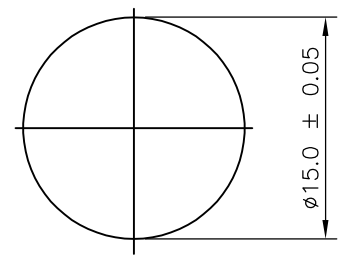


1838418-4

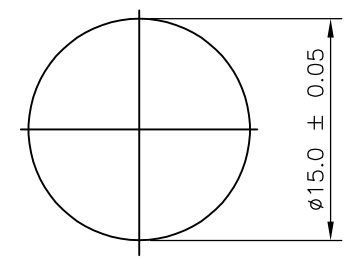
PIN ASSIGNMENTS  
FRONT VIEW



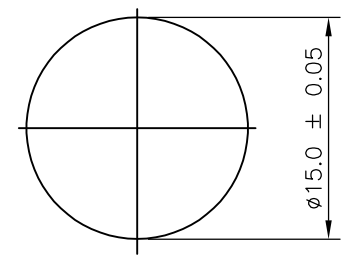
RECOMMENDED PANEL CUT-OUT  
(MAX PANEL THICKNESS 6.0mm)



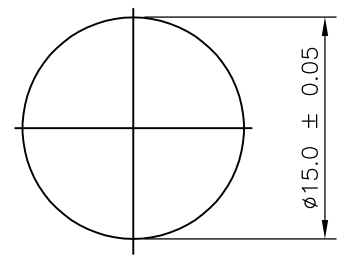
RECOMMENDED PANEL CUT-OUT  
(MAX PANEL THICKNESS 6.0mm)



RECOMMENDED PANEL CUT-OUT  
(MAX PANEL THICKNESS 6.0mm)



RECOMMENDED PANEL CUT-OUT  
(MAX PANEL THICKNESS 6.0mm)



THIS DRAWING IS A CONTROLLED DOCUMENT.

DIMENSIONS:	TOLERANCES UNLESS OTHERWISE SPECIFIED:
mm	
	0 PLC ± -
	1 PLC ± -
	2 PLC ± -
	3 PLC ± -
	4 PLC ± -
	ANGLES ± -

MATERIAL - FINISH -

DWN	A3	09MAR06
CHK	F.Wheeler-King	12APR06
APVD	F.Wheeler-King	12APR06
PRODUCT SPEC	108-3641	
APPLICATION SPEC	-	
WEIGHT	-	



NAME: M12 METAL MALE PANEL MOUNT CONNECTOR, SOLDER, STRAIGHT, REAR (CIRCULAR) MOUNTING

SIZE	CAGE CODE	DRAWING NO	RESTRICTED TO
A3	00779	C-1838418	-

CUSTOMER DRAWING SCALE NTS SHEET 2 OF 2 REV A2