



# Water-Proof Product Line

**EDAC**



# Features and Benefits

- Simple crimp and poke application
- Interface seals designed and tested to IP67 and SAE USCAR-2 standards
- Easy Terminal Extraction and Insertion
- Compatible with UL 28-14 AWG cable
- No need for individual wire seals for 565 and 566 series
- Housing seals and individual seals for 567, 568 & 570 Series
- Wide range of power and signal applications
- Various Pitch and Voltage/Current versions available
- Waterproof caps available to seal unused cavities in 565 & 566 Series
- **Custom pre-assembled cable assemblies available**

# Applications

## Medical

- Patient Monitoring
- Ultrasound



## Industrial

- Outdoor Lighting
- Processing Equipment



## Vending

- Food Service
- Drink Dispenser



## Automotive

- OEM
- Aftermarket



## Recreation

- Marine
- Snowmobiles
- ATV



## Outdoor

- Hot Tubs
- Pools

# 565 Series

- Housing: PBT (94V-0)
- Wire to Wire and Wire to Board
- 2, 3 and 5 Position versions
- 2.5mm pitch
- Rated Current: 3A Max .
- Rated Voltage: 250V
- Wire sizes: 20-28 AWG
- Temperature range: -40c to 105c
- PCB thickness: 1.6mm

Integral Wire Seal



# 566 Series

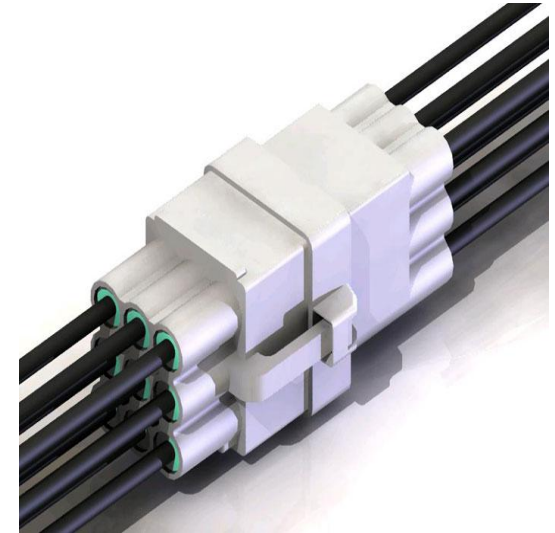
- Housing: PBT (94V-0)
- Wire to Wire 2, 3, 4 Positions
- Wire to Board 2, 3 Positions
- 2.0mm pitch
- Rated Current: 2A Max.
- Rated Voltage: 250V
- Wire sizes: 22-28 AWG
- Temperature range: -40c to 105c

Integral Wire Seals  
Tested & Certified to IP67



# 567 Series

- Housing: PBT (94V-0)
- Wire to Wire
- 1,2,3,4,6 and 9 Position versions
- 5.0 X 5.9 mm pitch
- Rated Current: 8A Max
- Rated Voltage: 300V
- Wire sizes: 14 - 22 AWG
- Insulation Diameter: 1.7mm – 3.1mm
- Temperature range: -40c to 105c



Separate Wire Seals

# 568 Series

- Housing: PBT (94V-0)
- Wire to Wire
- 1 Position
- Rated Current: 12A Max
- Rated Voltage: 300V
- Wire Size: 14 – 22 AWG
- Insulation Diameter: 1.7mm – 3.1mm
- Temperature range: -40c to 105c

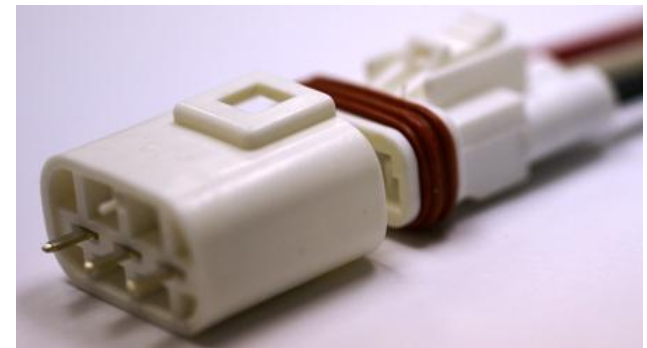
Separate Wire Seals  
Tested & Certified to IP67



# 570 Series

- Housing: PBT (94V-0)
- Wire to Wire and Wire to Board
- 1, 2 and 3 Position versions
- 5.8mm pitch
- Rated Current: 10A Max
- Rated Voltage: 300V
- Wire Sizes: 14 - 22 AWG
- Insulation Diameter: 1.7mm – 3.1mm
- Temperature range: -40c to 105c
- PCB Thickness: 1.6mm

Separate Wire Seals  
Tested & Certified to IP67





# Tooling

## ➤ Auto Crimp Machines

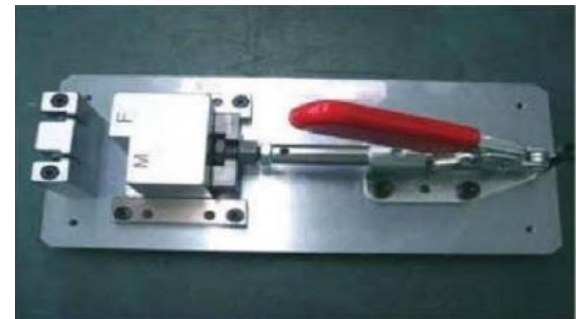
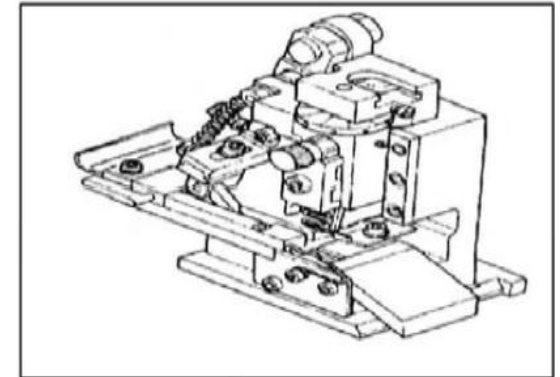
- Applicators available for all Series
- Bench Mount type
- Quick Change Applicators
- 110V 50/60 Hz

## ➤ One-Touch Applicators

- Quick Change Applicators available for all contacts
- Fits most Universal Automatic machines
- Quick Set-up

## ➤ Retainer Insertion Tool

- Inserts the retainer into the connector housing
- Ensures Water Tight Seal
- Used on High Volume production



# Tooling

## ➤ Hand tool crimper

- Manual hand crimp tools
- Cuts contacts from Carrier Strips



## ➤ Extraction and Insertion Tools

- Easy Insertion and Removal of contacts
- Low Cost Field Repairs



*Thank You*