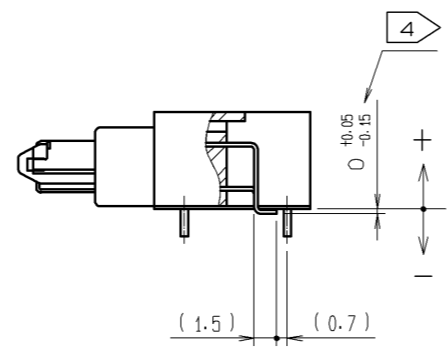
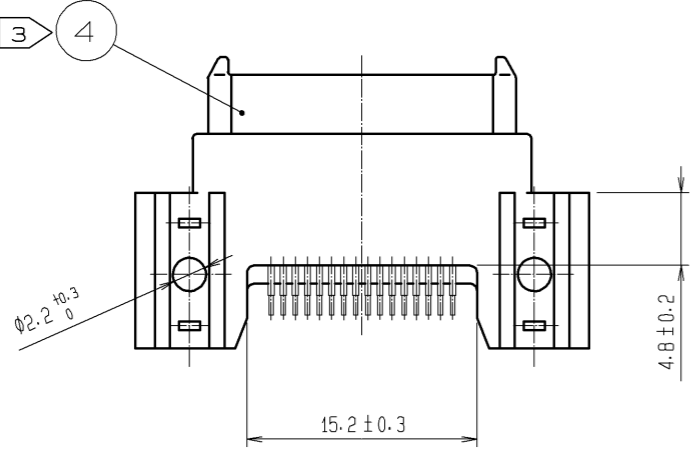


FIG. 3
SMT CONTACT DIMENSION

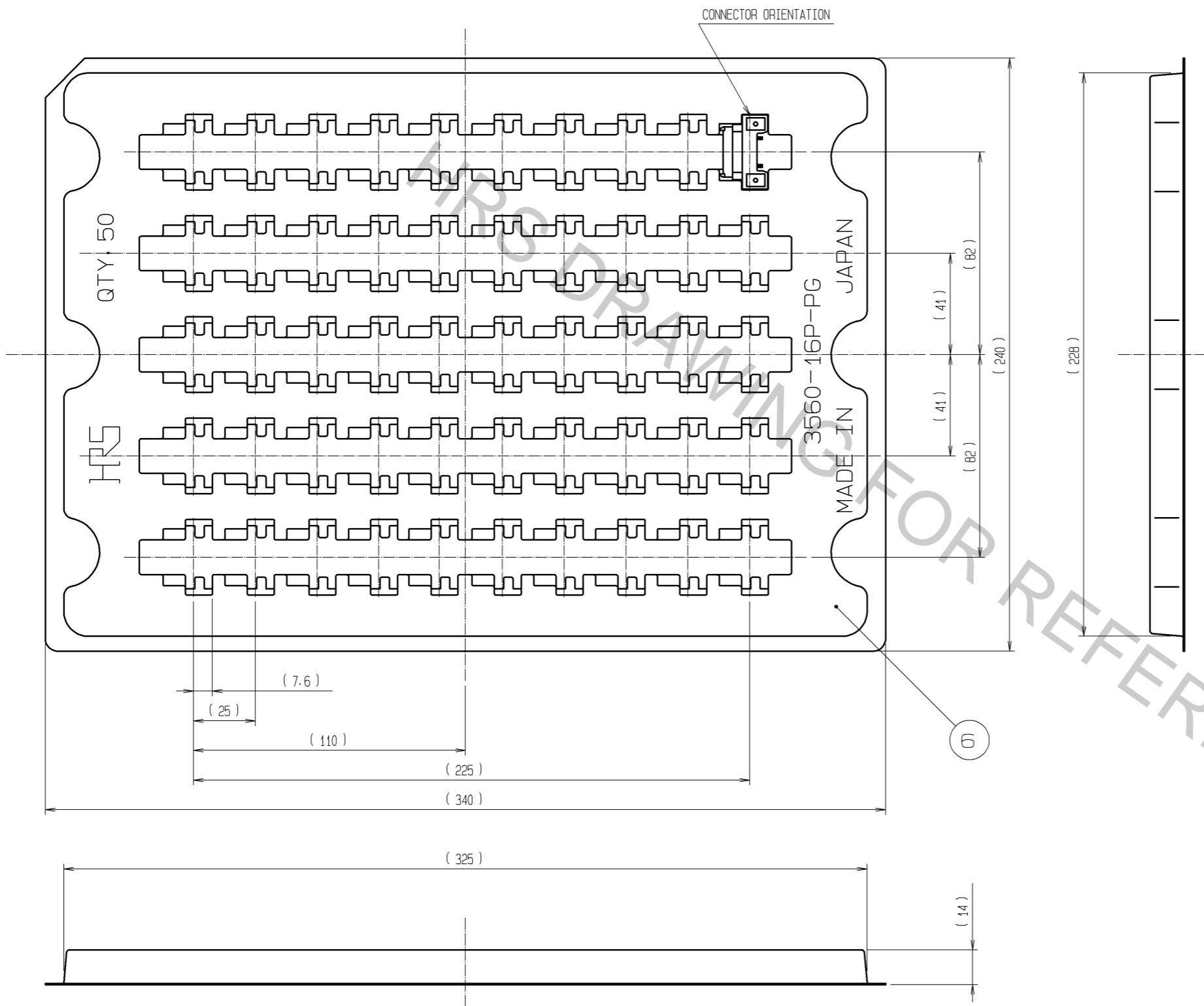


- NOTE ① FLOATING DISTANCE IN HORIZONTAL AND VERTICAL DIRECTIONS IS ± 0.7 . (APPLICABLE CONNECTOR: 3560-16S(**) OR 3560-16SR(**))
- ② GAP BETWEEN MATED PLUG AND RECEPTACLE TO BE $0.05 \begin{smallmatrix} +0.65 \\ 0 \end{smallmatrix}$.
- ③ REFERENCE NO.④ AND ⑤ ARE CONNECTED INSIDE THE CONNECTOR. (GROUND IS TO BE CONNECTED TO PCB BY REFERENCE NO.⑤.)
- ④ SMT DIMENSION OF CONTACTS (REFERENCE NO.② AND ③) SHOWN IN FIG. 3.



3	COPPER ALLOY	CONTACT AREA GOLD PLATING 0.76 μ m	6	PVC	
2		LEAD AREA GOLD PLATING 0.03 μ m	5	COPPER ALLOY	TIN PLATING 1 μ m
1	POLYAMIDE	(BLACK) UL94V-0	4	STAINLESS STEEL	
NO.	MATERIAL	FINISH . REMARKS	NO.	MATERIAL	FINISH . REMARKS
UNITS mm		SCALE 2 : 1	COUNT 	DESCRIPTION OF REVISIONS	DESIGNED
HRS HIROSE ELECTRIC CO., LTD.		APPROVED : SR. KIKUTA	07.06.05	DRAWING NO.	EDC3-120892-04
		CHECED : SJ. SHIMIZU	07.06.05	PART NO.	3560-16P-PG(57)
		DESIGNED : TS. ITO	07.06.05	CODE NO.	CL235-0016-0-57
		DRAWN : TS. ITO	07.06.05		

FIG. 4 TRAY DIMENSION



NOTE 5 CONNECTOR ORIENTATION IN TRAY CAVITIES SHOWN IN FIG. 4.

6 CONNECTORS TO BE PACKAGED PER TRAY = 50 PCS.

NOTE: PLEASE ORDER THE CONNECTOR QUANTITY.

HRS	DRAWING NO.	EDC3-120892-04	△ 2/2
	PART NO.	3560-16P-PG(57)	
	CODE NO.	CL235-0016-0-57	