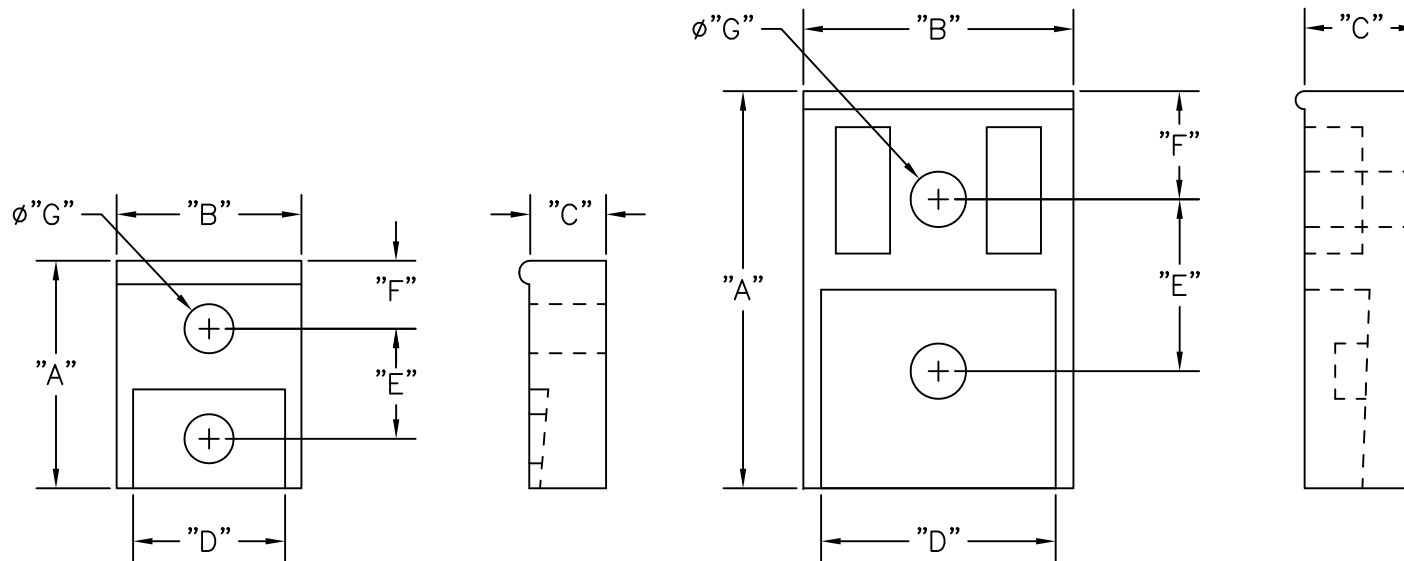


PART NO.	"A"	"B"	"C"	"D"	"E"	"F"	"G"	TRANSISTOR CASE STYLE
HTRTC-1	.63 (16.0)	.51 (13.0)	.21 (5.4)	.42 (10.7)	.32 (8.0)	.19 (4.7)	.14 (3.5)	TO-220
HTRTC-1A	.76 (19.3)	.51 (13.0)	.21 (5.4)	.42 (10.7)	.39 (10.0)	.24 (6.0)	.14 (3.6)	TO-220



ONLY FOR RTC-3

NOTES:

1. MATERIAL: FLAME RETARDANT P.B.T. (RMS-110)
2. COLOR: WHITE.

TITLE: HIGH TEMPERATURE RICHCO TRANSISTOR COVER			DWG IN IN (MM)		FINAL		PRINT TYPE	
E	SEE CO 200604 FOR CHANGES	SK 12.01.10	TOLERANCES UNLESS NOTED .XX=±.008(±0.2)	FILE # HTRTC	DWN: S.M.	APP:	PART # SEE TABLE	CA
D	SEE CO 200363	SK 04.30.09		MAT'L: SEE NOTE	DT: 01/11/01	DT:		
C	SEE ECN # 1106	SK 12.05.05		RE: RICHCO, INC.	RICHCO INC. PO BOX 804238, CHICAGO, 60680 (773) 539-4060			
B	CHANGED PART NAME TO HTRTC	SM 10.29.01						
A	PACKAGE 1000 WAS 500	SM 04.03.01						
REV	DESCRIPTION	ENGR DATE						