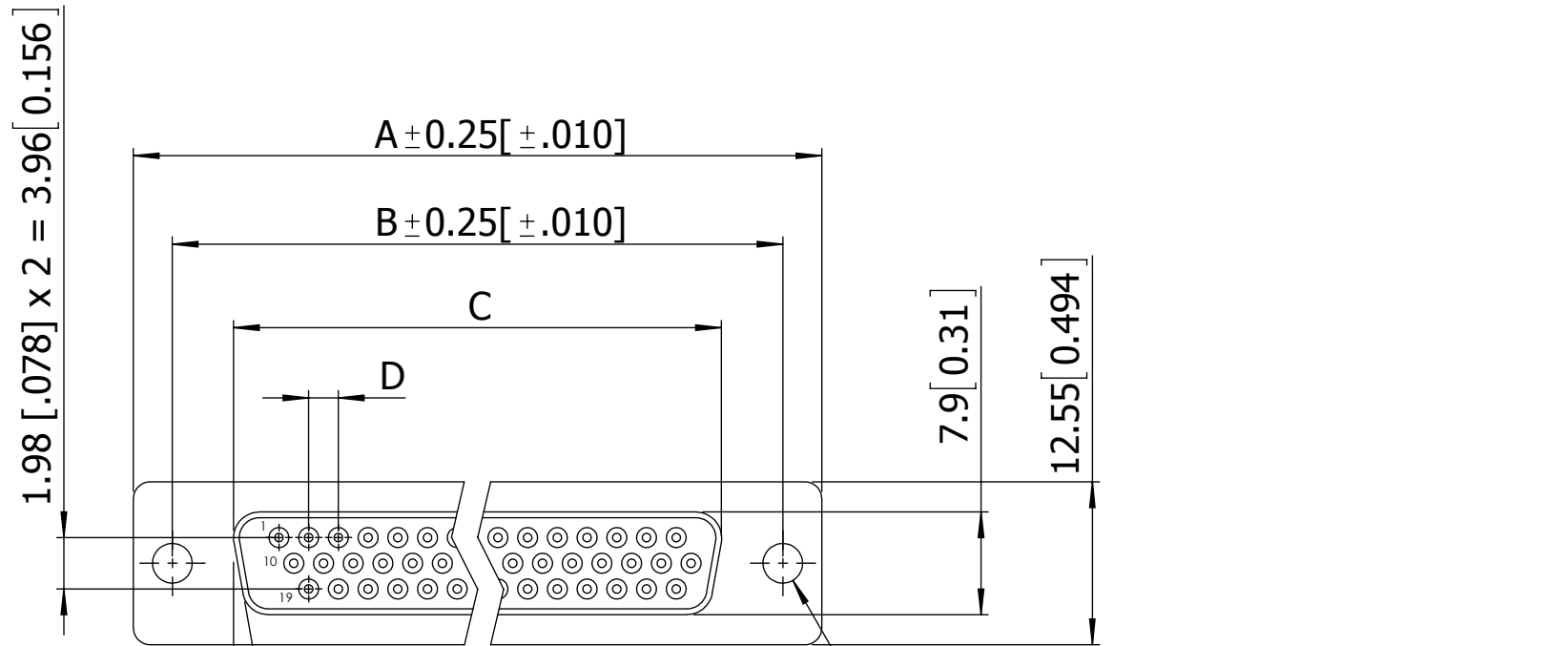
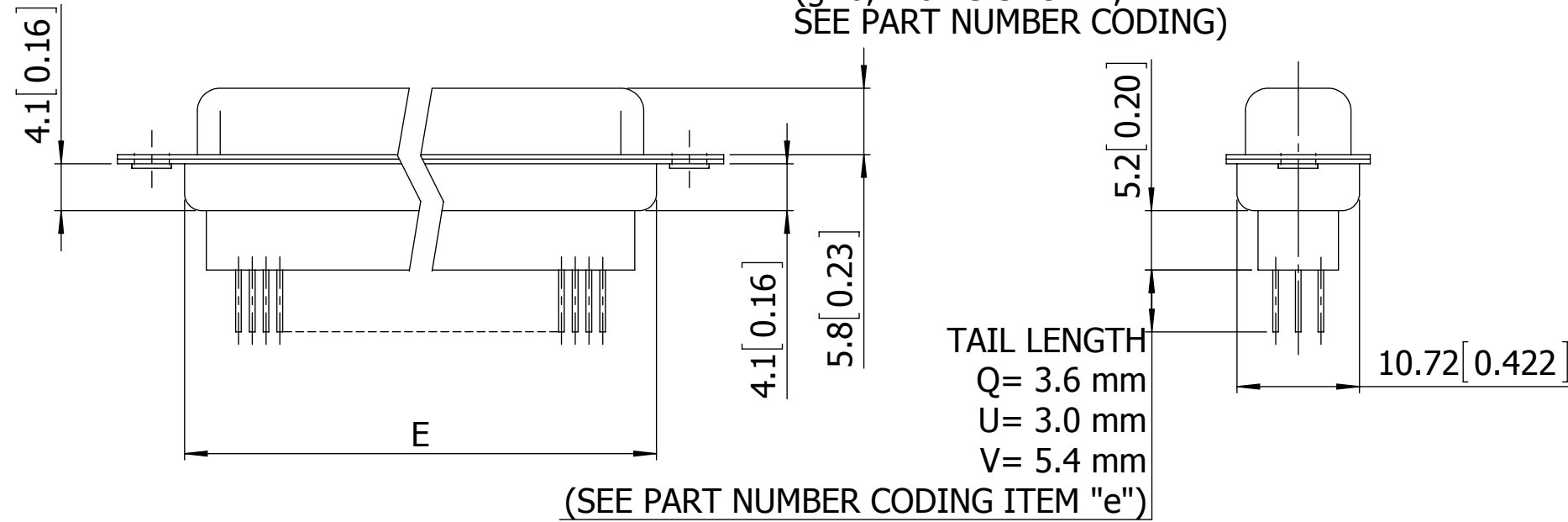


DIMENSION (FOR FEMALE 15, 26, 44, 62 POSITION)

POSITIONS	A		B		C		D		E	
	MM	INCH	MM	INCH	MM	INCH	MM	INCH	MM	INCH
15	30.81	1.213	24.99	0.984	16.33	0.643	2.29	0.090	19.20	0.756
26	39.20	1.543	33.30	1.311	24.70	0.972	2.29	0.090	27.70	1.091
44	53.05	2.088	47.04	1.852	38.40	1.512	2.29	0.090	41.10	1.618
62	69.40	2.732	63.50	2.500	54.80	2.158	2.41	0.095	57.30	2.256



2 X ϕ 3.05 [ϕ 0.120] CLEARANCE HOLE
(g: 0, h:0 AS SHOWN, SEE PART NUMBER CODING)



TAIL LENGTH
Q= 3.6 mm
U= 3.0 mm
V= 5.4 mm

(SEE PART NUMBER CODING ITEM "e")

**FEMALE
15,26,44,62 POSITIONS**

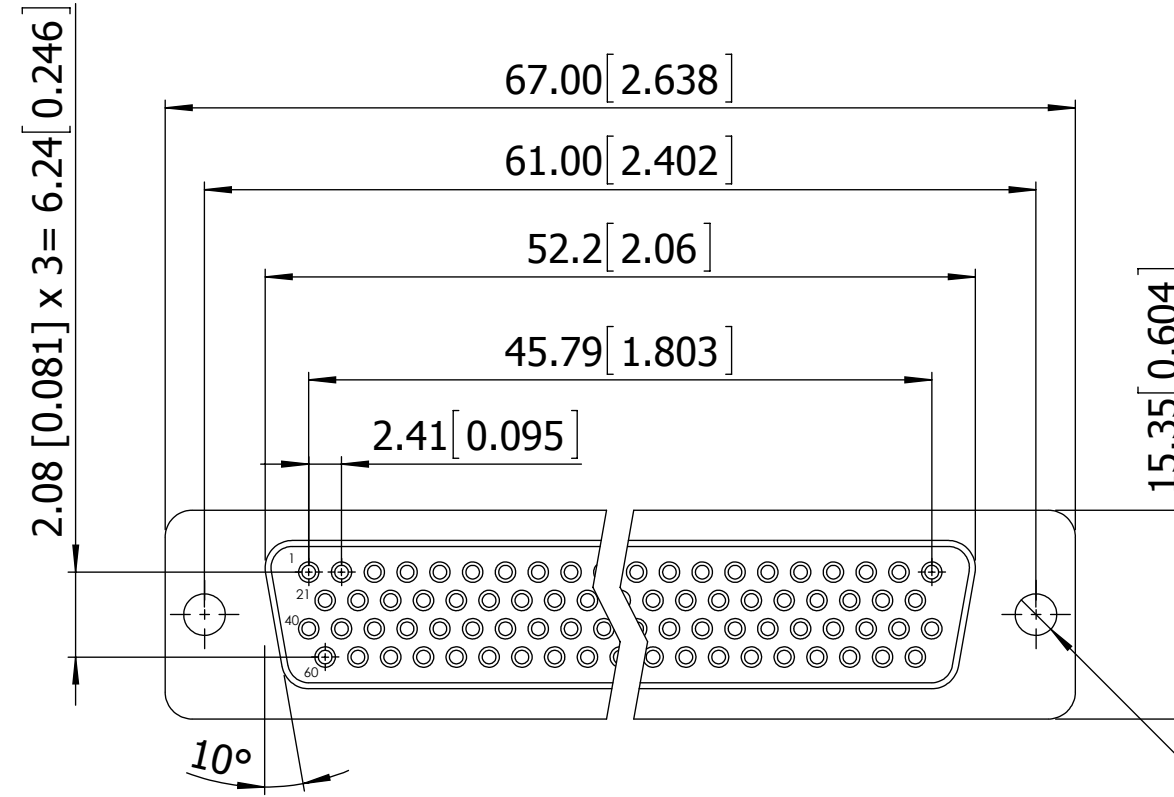
(PN EXAMPLE: SDS160-PRW2-F15-QN00-1)

NOTES:

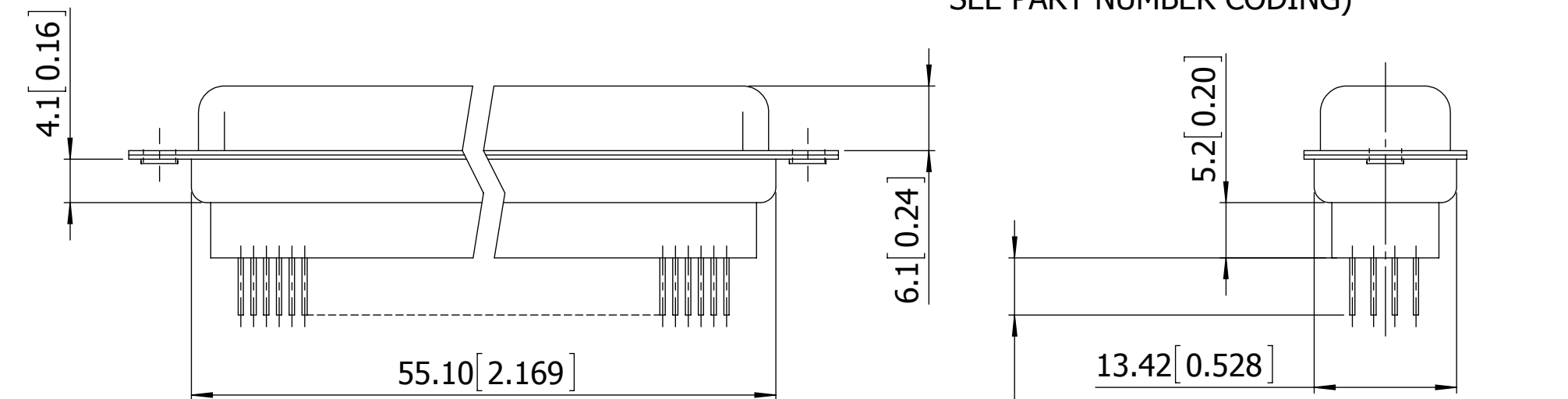
MATERIAL
INSULATOR : GLASS-FILLED THERMOPLASTIC PBT, UL94V-0
CONTACT: BRASS
SHELL : SPCC, .000100" TIN OVER .000050" MIN COPPER (STANDARD, SEE PAGE 4)
CLINCH NUT : BRASS, NICKEL PLATED
SCREWLOCK : STEEL, NICKEL PLATED
OPERATING TEMPERATURE : -55°C TO +105°C

ELECTRICAL
CONTACT RESISTANCE : 20 MILLIOHMS MAX AT 1 AMP DC
INSULATION RESISTANCE : 1000 MAGOHMS AT 500 VDC
DIELECTRIC WITHSTANDING VOLTAGE : 1000 VAC/RMS 60Hz FOR 1 MINUTE
CURRENT RATING : 3 AMPS
VOLATGE RATING : 250 VAC/RMS 60Hz

REVISIONS				
REV.	ECO. NO	DESCRIPTION	DATE	BY
C	2616	REMOVE 'MALE' PIN, ADD h:7 RESTRICTION ON PN CODING ITEM h	06/14/2012	LH
D	2721	ADD 'MALE' PIN, PIN TYPE 'G', 'R', 'Y' RIVET OPTION h:8, h:9 ON PN CODING, UPDATE "FEMALE" PCB LAYOUT HOLE ϕ 3.05mm (WAS ϕ 3.0mm)	12/24/2012	LH



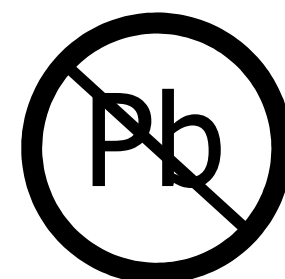
2 X ϕ 3.05 [ϕ 0.120] CLEARANCE HOLE
(g: 0, h:0 AS SHOWN, SEE PART NUMBER CODING)



TAIL LENGTH
Q= 3.6 mm
U= 3.0 mm
V= 5.4 mm
SEE PART NUMBER CODING ITEM "e"

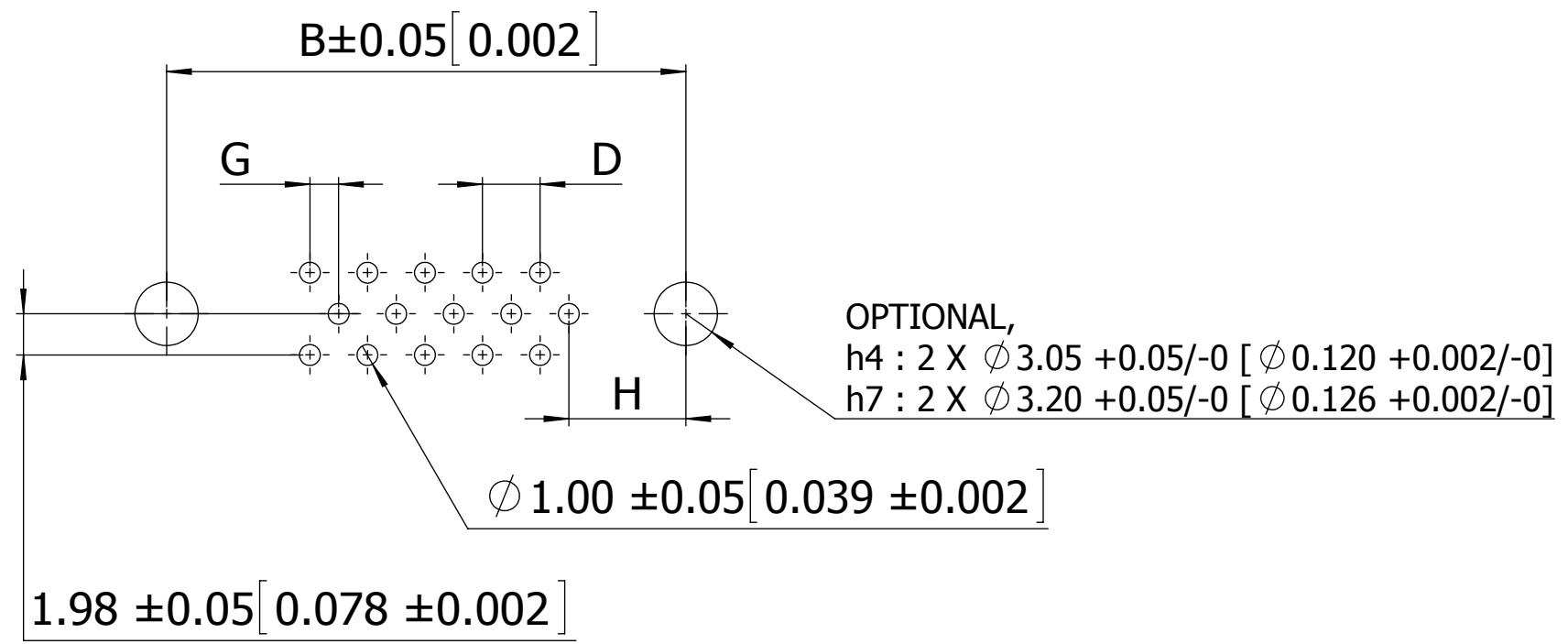
**FEMALE
78 POSITIONS**

(PN EXAMPLE: SDS160-PRW2-F78-QN00-1)

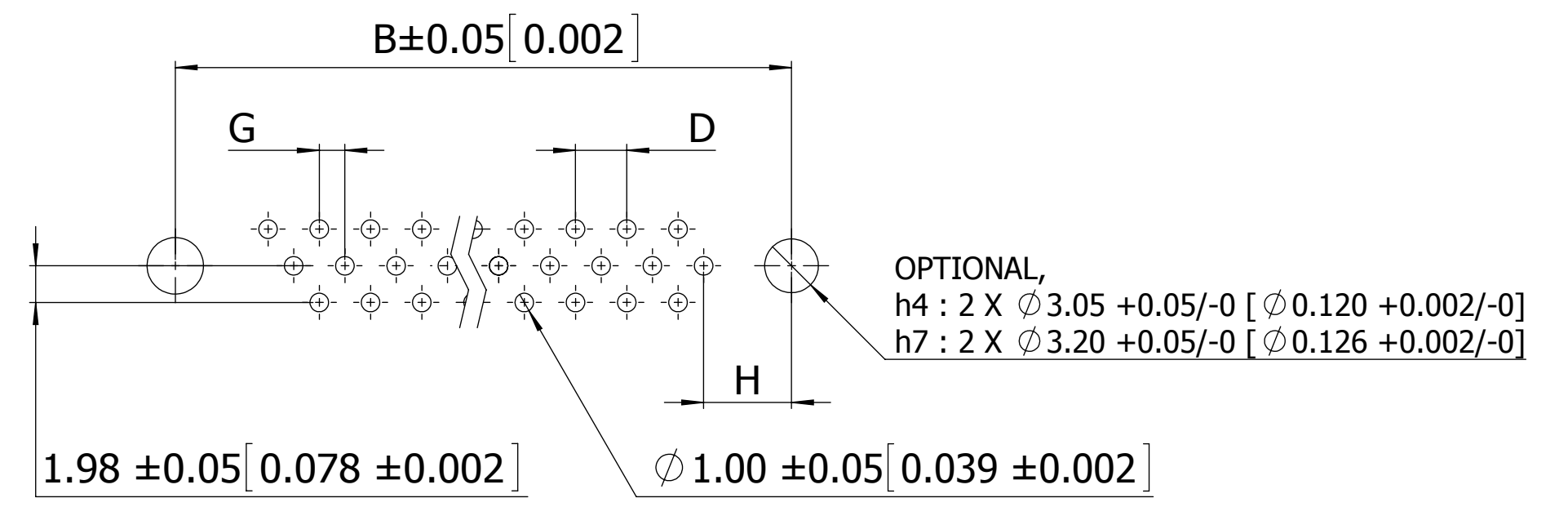


RoHS COMPLIANT

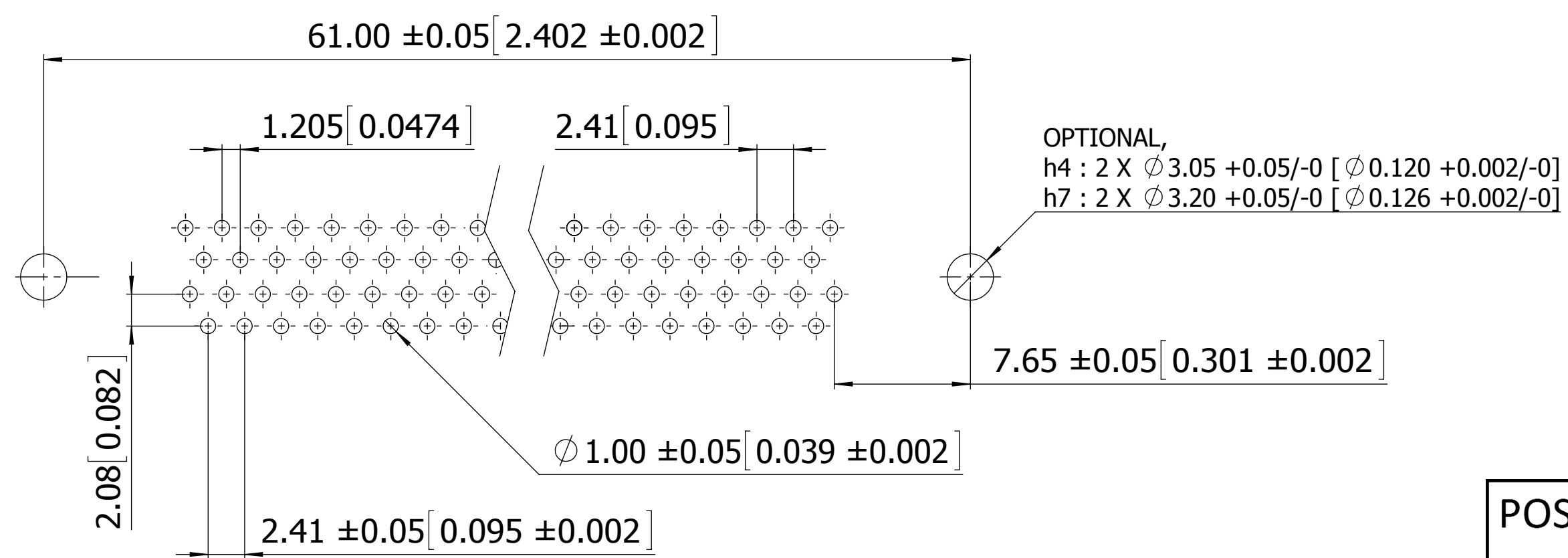
UNLESS OTHERWISE SPECIFIED: DIMENSIONS ARE IN MM[INCHES]	DRAWN	DATE	NAME	
		07/01/2011	LH	
TOLERANCES: ANGULAR: \pm 3° DECIMALS X.= \pm 0.38[.015] .X= \pm 0.25[.010] .XX= \pm 0.13[.005]	<small>THE INFORMATION HEREIN CONTAINS PROPRIETARY INFORMATION OF SULLINS ELECTRONICS AND IS NOT TO BE REPRODUCED, USED OR DISCLOSED TO OTHERS FOR ANY PURPOSE EXCEPT AS SPECIFICALLY AUTHORIZED IN WRITING BY AN OFFICER OF SULLINS ELECTRONICS.</small>			TITLE 160 SERIES D-SUB H.D. HIGH PROFILE PCB TYPE
	PART NUMBER SDS160-PR - - - N - -			SIZE C
SCALE: 1:8			DWG. NO. 11802	REV D
			SHEET 1 OF 6	



**FEMALE 15 POSITIONS
PCB LAYOUT PATTERN**



**FEMALE 26,44,62 POSITIONS
PCB LAYOUT PATTERN**



**FEMALE 78 POSITIONS
PCB LAYOUT PATTERN**

POSITIONS/ CONTACT	G		H	
	MM	INCH	MM	INCH
15 POSITION	1.145	0.0451	7.04	0.277
26 POSITION	1.145	0.0451	6.88	0.271
44 POSITION	1.145	0.0451	6.88	0.271
62 POSITION	1.205	0.0474	7.00	0.275

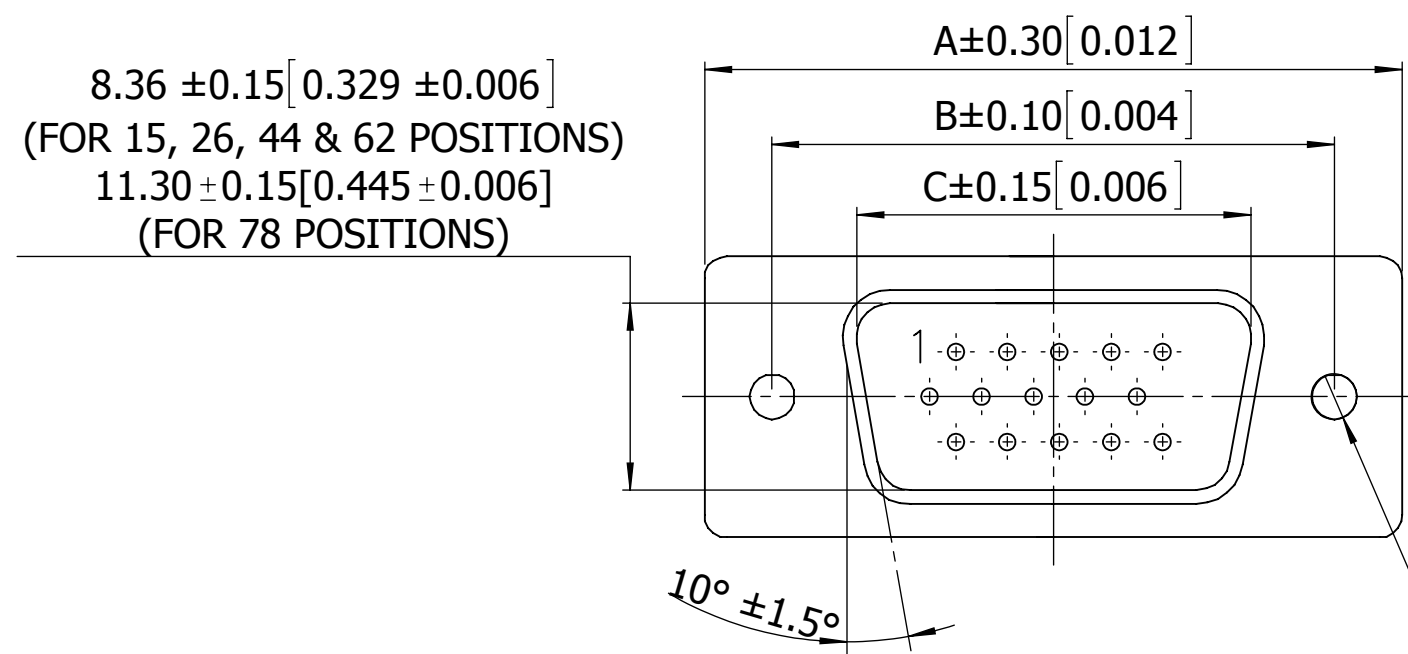


RoHS COMPLIANT

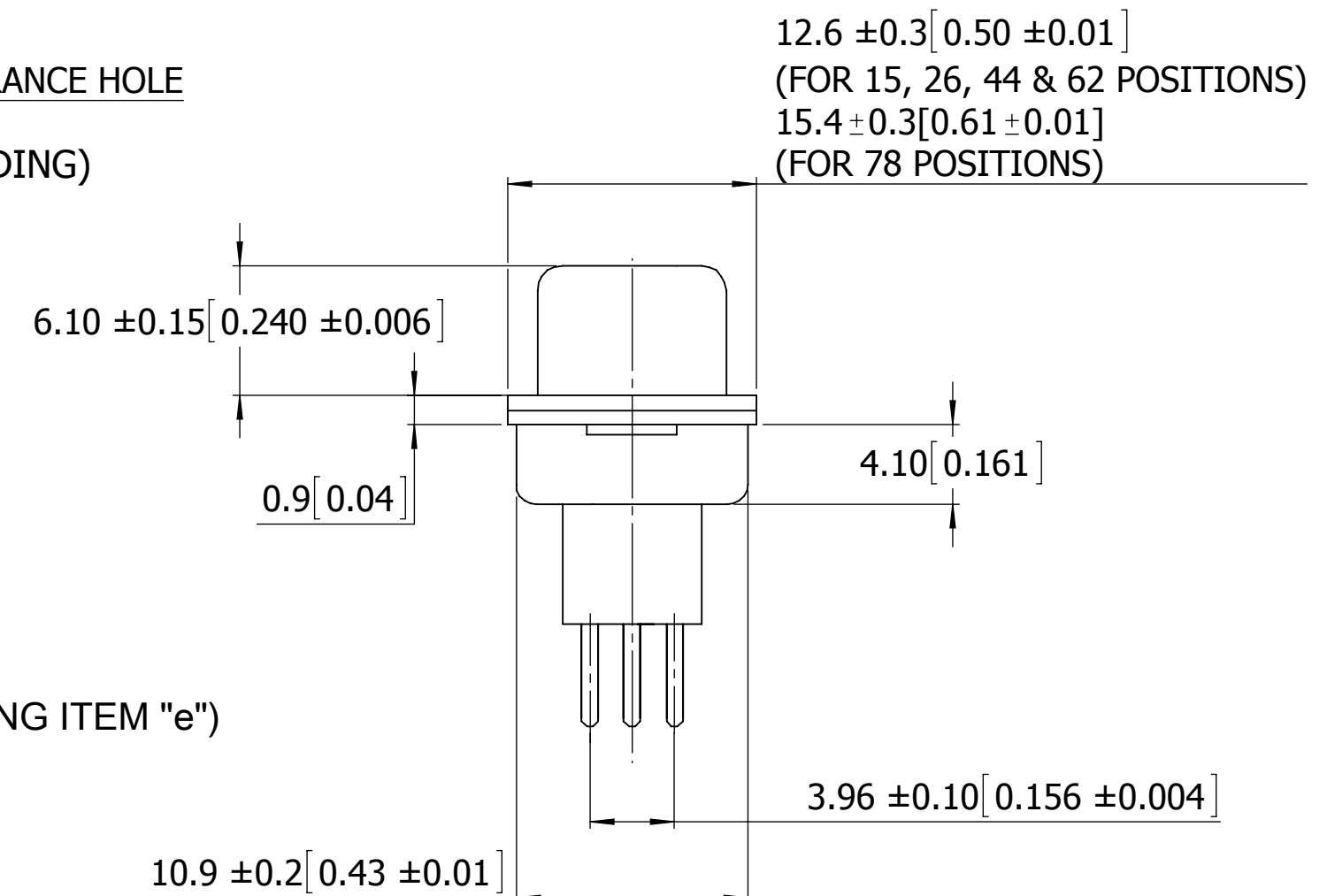
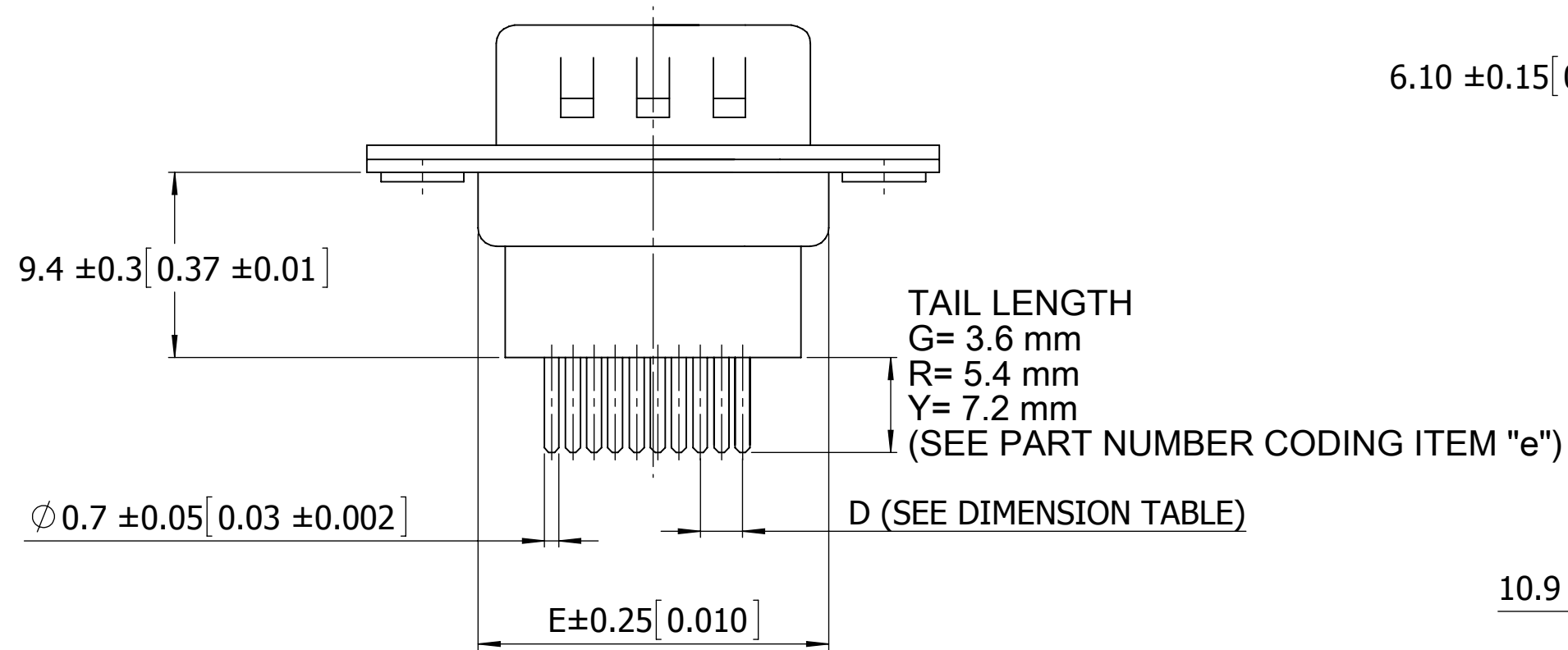
UNLESS OTHERWISE SPECIFIED: DIMENSIONS ARE IN MM [INCHES]	DRAWN	DATE	NAME	
		07/01/2011	LH	
TOLERANCES: ANGULAR: ± 3° DECIMALS X.= ± 0.38 [.015] .X= ± 0.25 [.010] .XX= ± 0.13 [.005]	<small>THE INFORMATION HEREIN CONTAINS PROPRIETARY INFORMATION OF SULLINS ELECTRONICS AND IS NOT TO BE REPRODUCED, USED OR DISCLOSED TO OTHERS FOR ANY PURPOSE EXCEPT AS SPECIFICALLY AUTHORIZED IN WRITING BY AN OFFICER OF SULLINS ELECTRONICS.</small>			TITLE 160 SERIES D-SUB H.D. HIGH PROFILE PCB TYPE
	PART NUMBER SDS160-PR _ _ _ _ _ N _ _ _			SIZE C
			DWG. NO. 11802	REV D
			SCALE: 1:8	SHEET 2 OF 6

DIMENSION (FOR MALE, 15, 26, 44, 62, 78 POSITIONS)

POSITIONS	A		B		C		D		E	
	MM	INCH	MM	INCH	MM	INCH	MM	INCH	MM	INCH
15	30.80	1.213	24.99	0.984	16.92	0.666	2.29	0.090	19.20	0.756
26	39.20	1.543	33.32	1.312	25.25	0.994	2.29	0.090	27.70	1.091
44	53.00	2.088	47.04	1.852	38.95	1.533	2.29	0.090	41.10	1.618
62	69.40	2.732	63.50	2.500	55.40	2.158	2.41	0.095	57.30	2.256
78	67.00	2.638	61.10	2.406	52.80	2.158	2.41	0.095	55.10	2.169



2 X $\phi 3.0 [\phi 0.118]$ CLEARANCE HOLE
 (g: 0, h:0 AS SHOWN,
 SEE PART NUMBER CODING)



**MALE
 15,26,44,62,78 POSITIONS**

(PN EXAMPLE: SDS160-PRP2-M15-RN00-1)

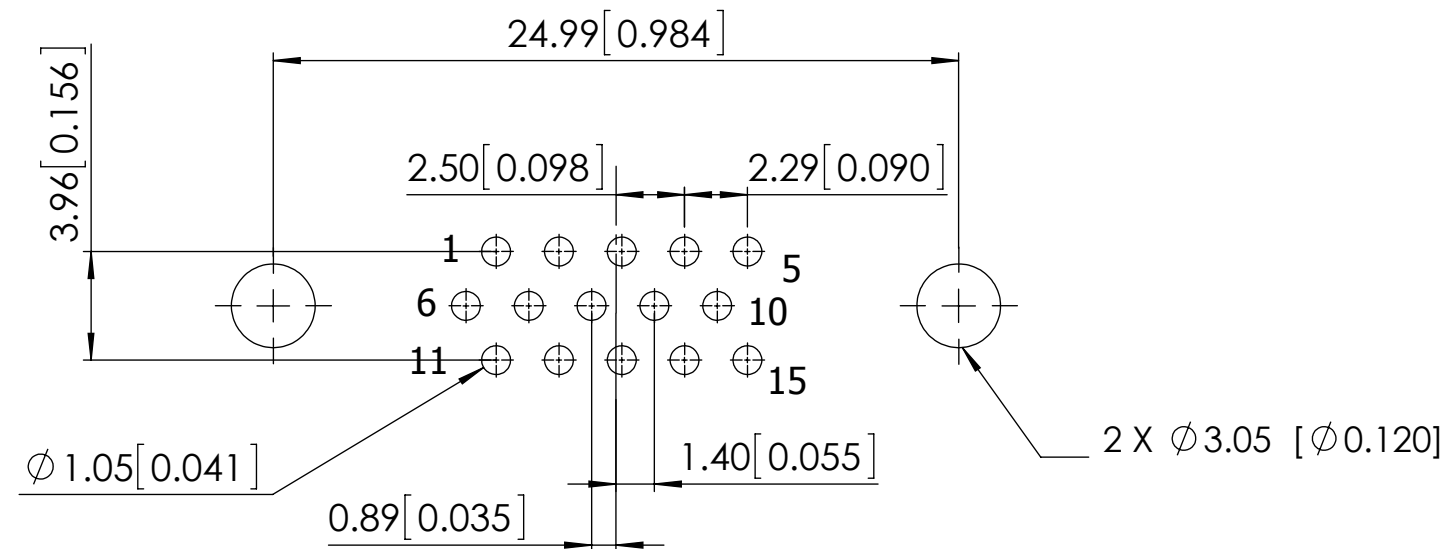
NOTES:

MATERIAL
 INSULATOR : GLASS-FILLED THERMOPLASTIC PBT, UL94V-0, COLOR: BLACK.
 CONTACT: BRASS
 SHELL : SPCC, .000100" TIN OVER .000050" MIN COPPER (STANDARD, SEE PAGE 4)
 CLINCH NUT : BRASS, NICKEL PLATED
 SCREWLOCK : STEEL, NICKEL PLATED
 OPERATING TEMPERATURE : -50°C TO +100°C

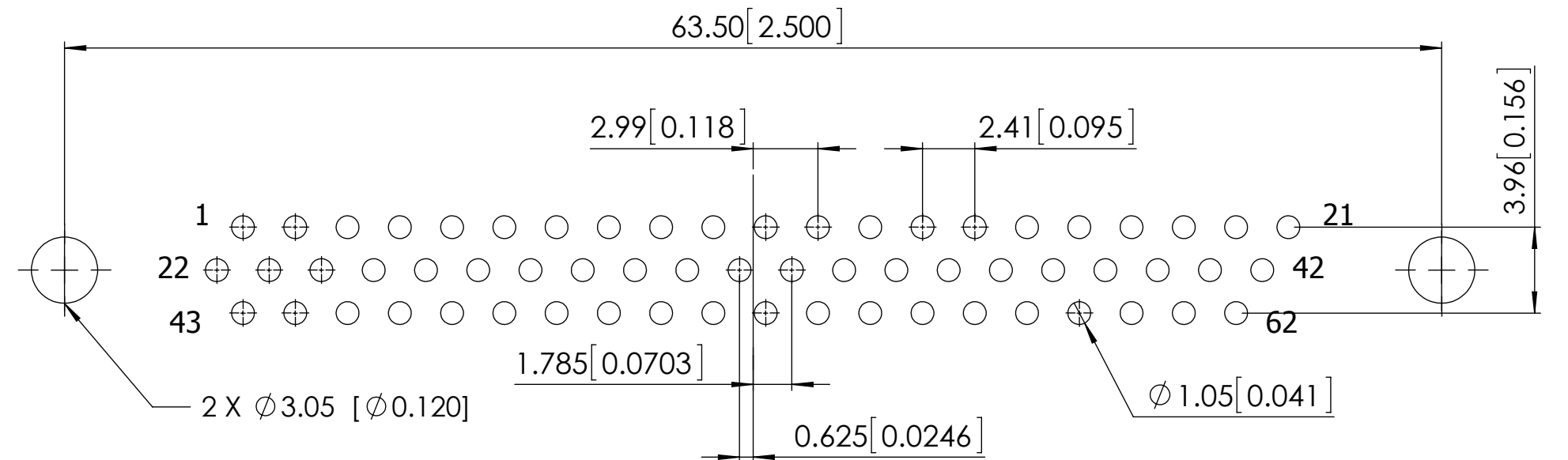
ELECTRICAL
 CONTACT RESISTANCE : 15 MILLIOHMS MAX.
 INSULATION RESISTANCE : 1000 MAGOHMS MIN.
 DIELECTRIC WITHSTANDING VOLTAGE : 500 VAC/RMS 60Hz FOR 1 MINUTE.
 CURRENT RATING : 5 AMPS



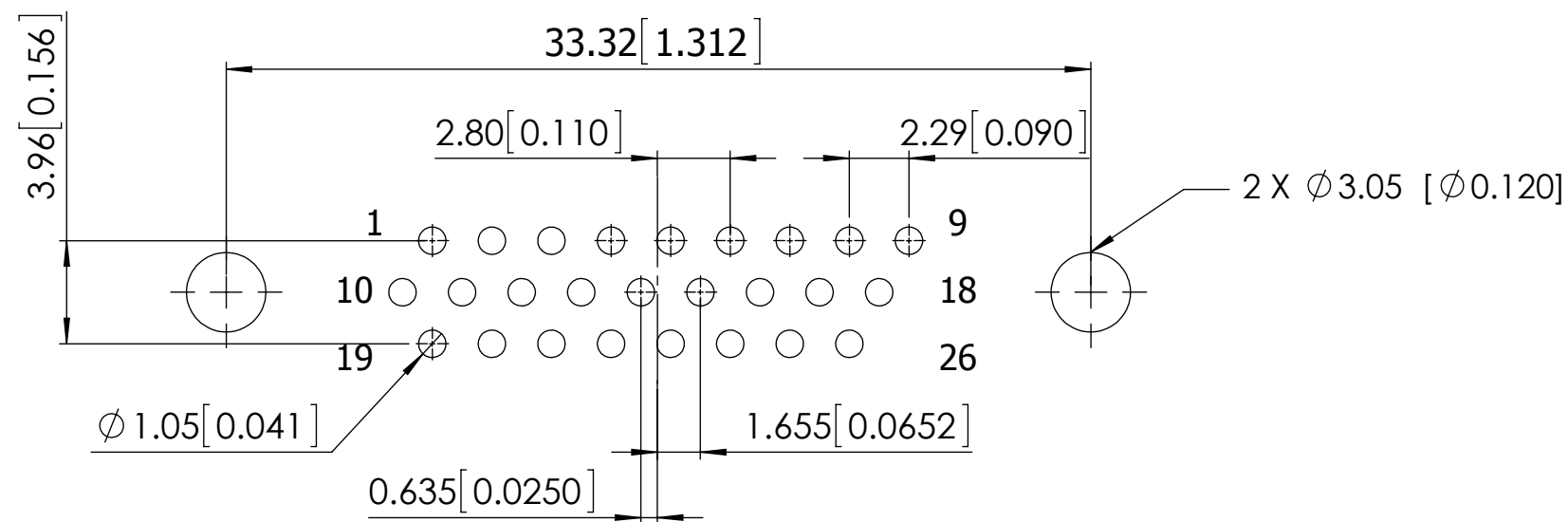
UNLESS OTHERWISE SPECIFIED: DIMENSIONS ARE IN MM [INCHES]	DRAWN	DATE	NAME	
		07/01/2011	LH	
TOLERANCES: ANGULAR: $\pm 3^\circ$ DECIMALS X.= $\pm 0.38 [0.015]$ X.= $\pm 0.25 [0.010]$.XX= $\pm 0.13 [0.005]$	THE INFORMATION HEREIN CONTAINS PROPRIETARY INFORMATION OF SULLINS ELECTRONICS AND IS NOT TO BE REPRODUCED, USED OR DISCLOSED TO OTHERS FOR ANY PURPOSE EXCEPT AS SPECIFICALLY AUTHORIZED IN WRITING BY AN OFFICER OF SULLINS ELECTRONICS.			TITLE 160 SERIES D-SUB H.D. HIGH PROFILE PCB TYPE
	PART NUMBER SDS160-PR_ _ _ _ _ N _ _ _			SIZE C 54453
SCALE: 1:8		DWG. NO. 11802		REV D
				SHEET 3 OF 6



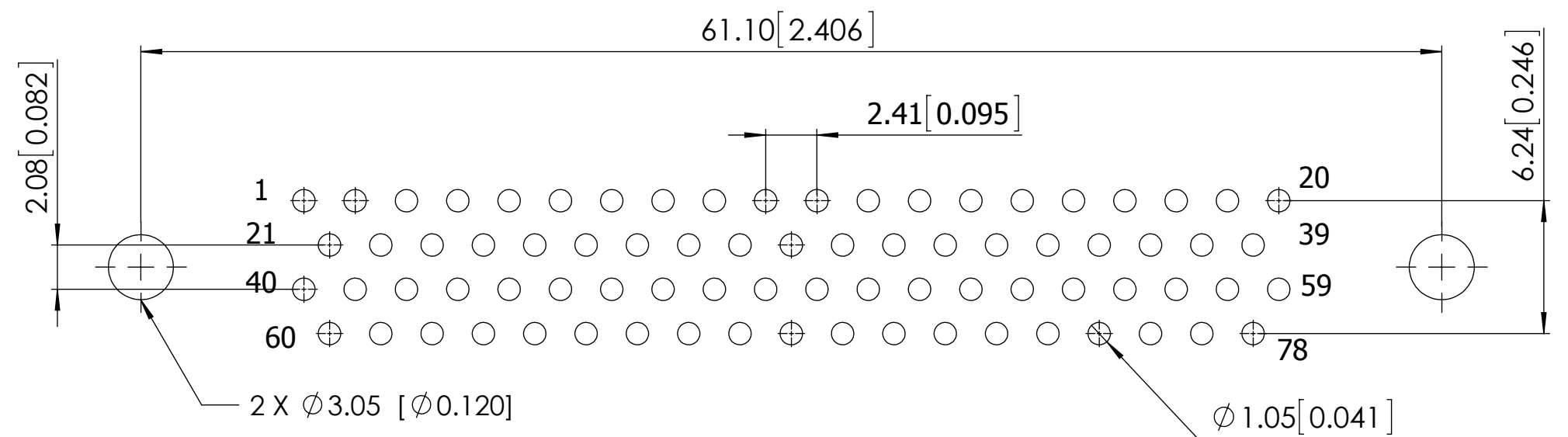
**MALE 15 POSITIONS
PCB LAYOUT PATTERN**



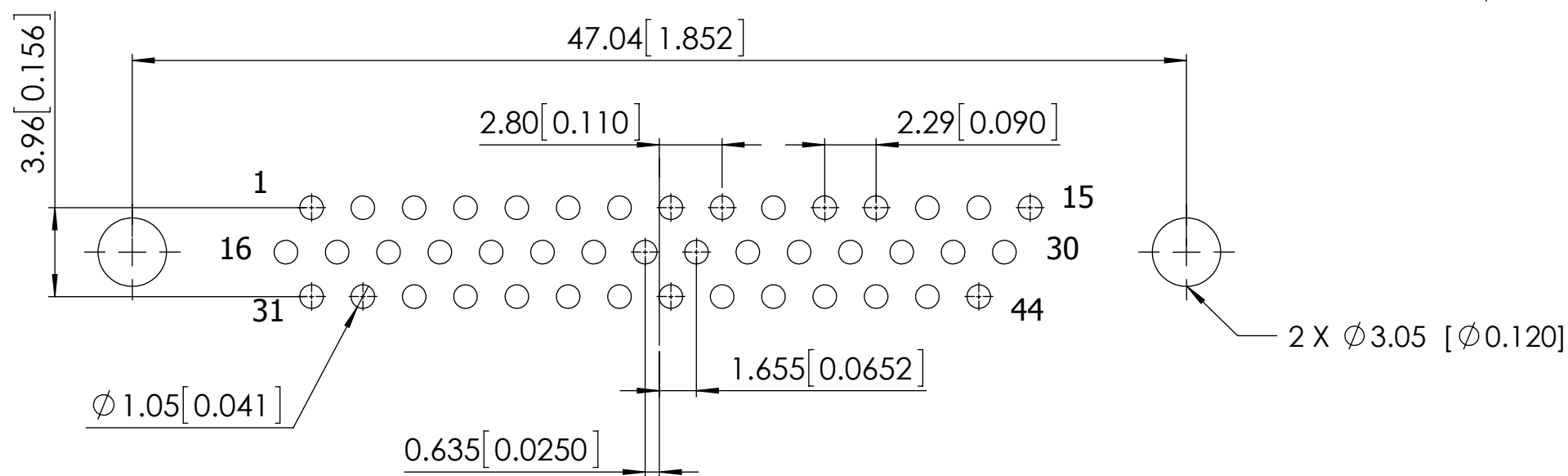
**MALE 62 POSITIONS
PCB LAYOUT PATTERN**



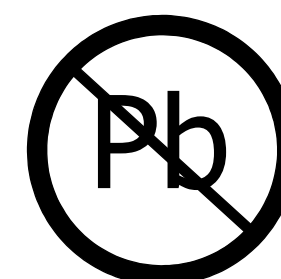
**MALE 26 POSITIONS
PCB LAYOUT PATTERN**



**MALE 78 POSITIONS
PCB LAYOUT PATTERN**

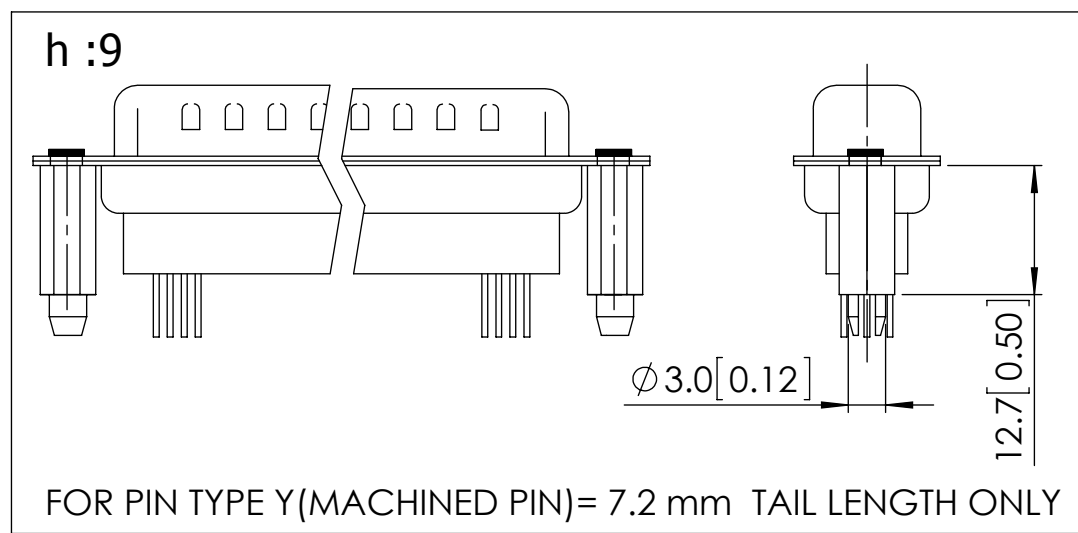
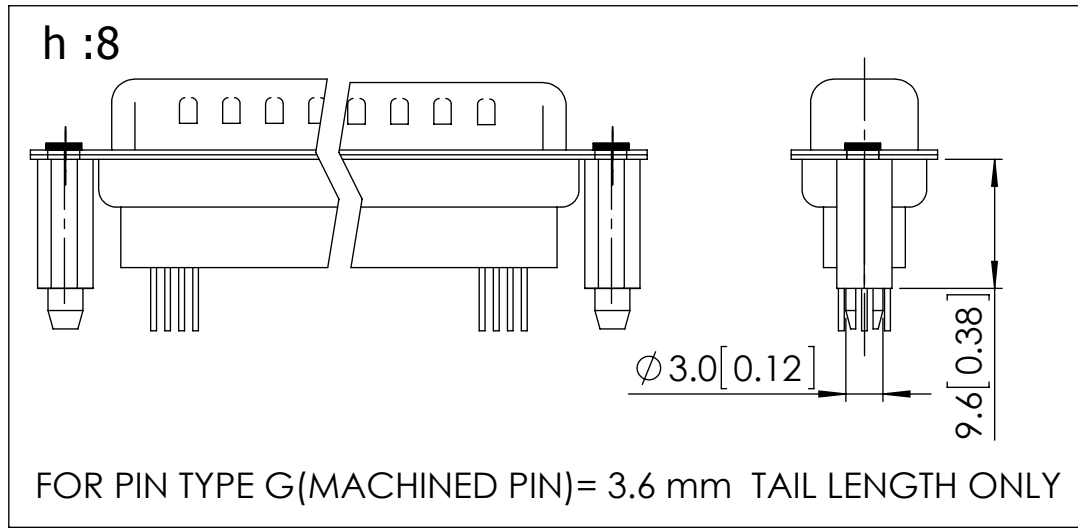
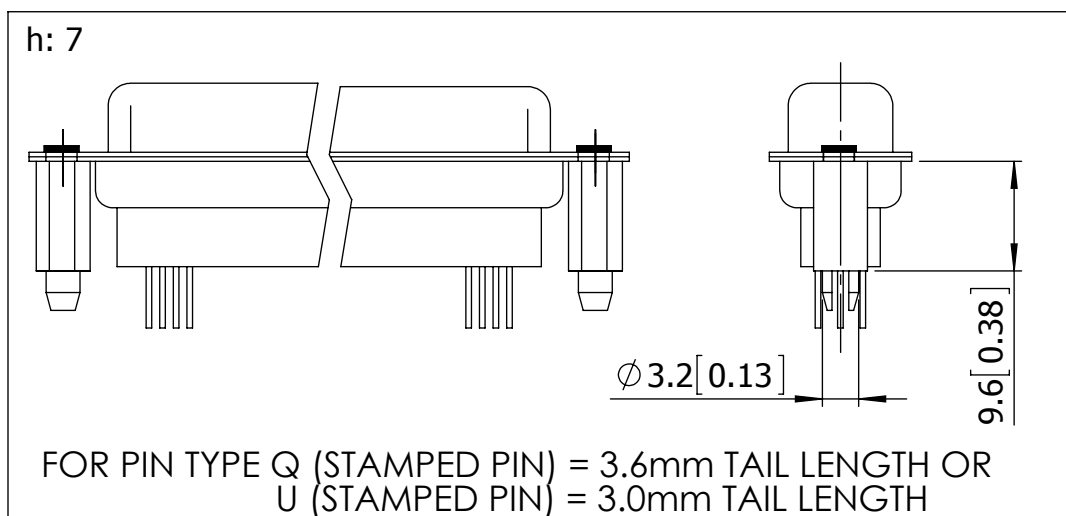
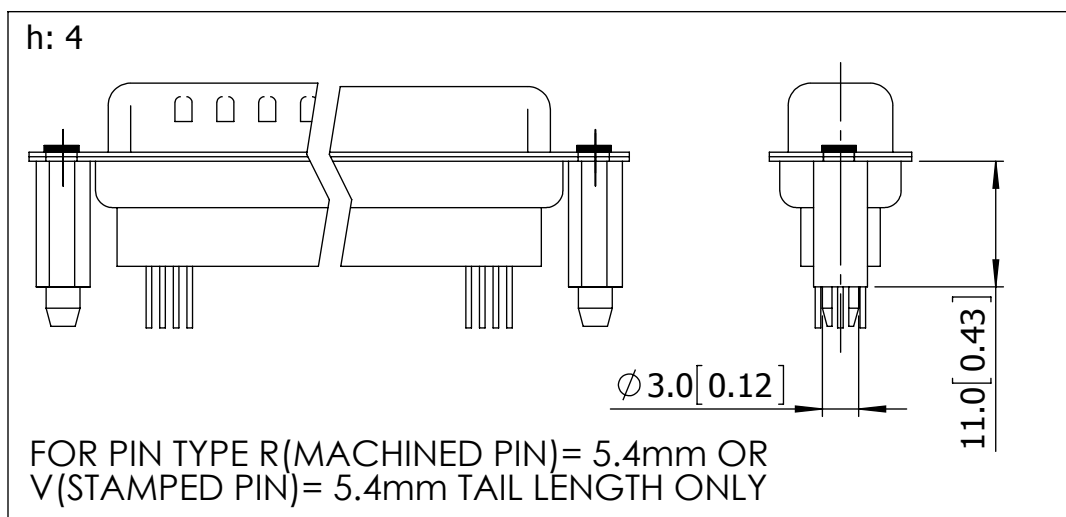
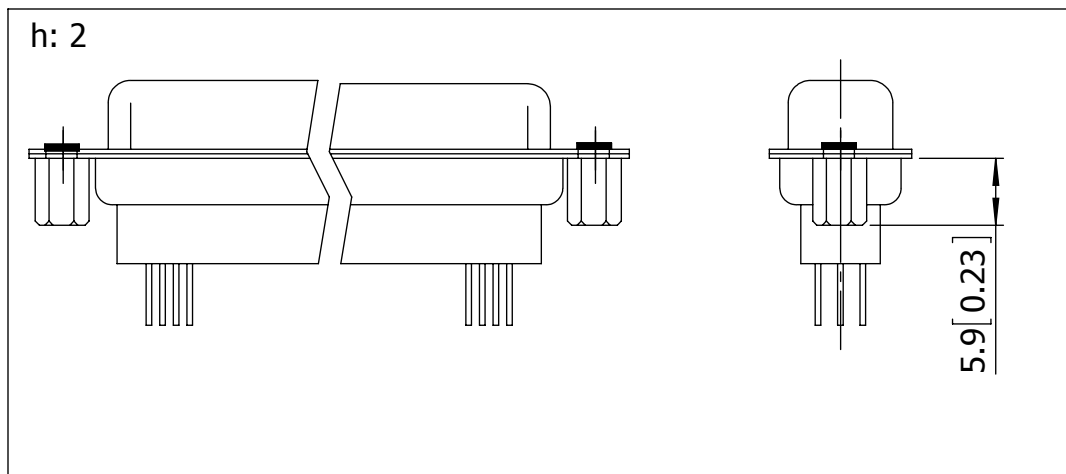
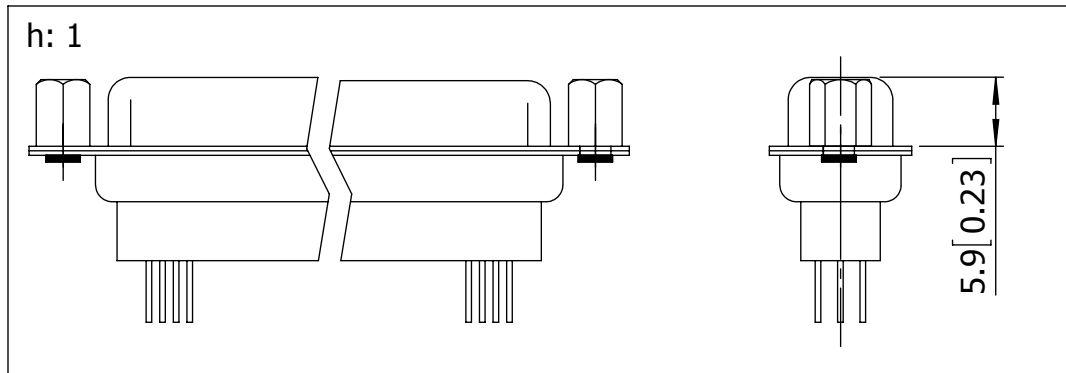
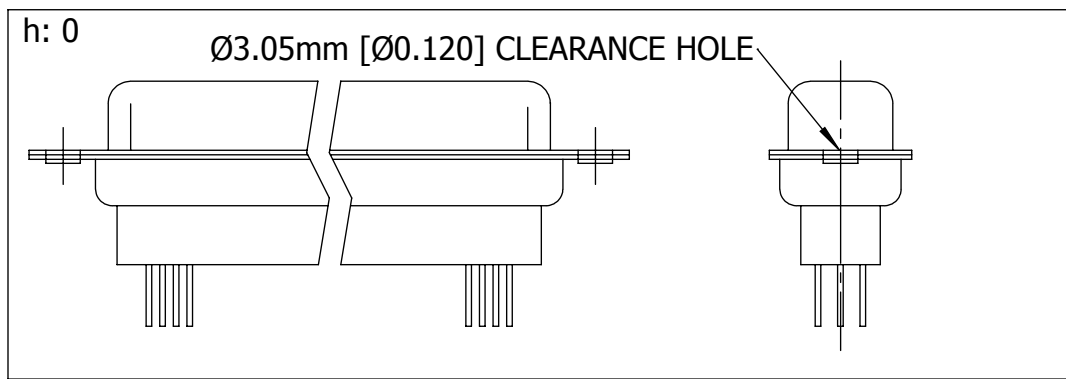


**MALE 44 POSITIONS
PCB LAYOUT PATTERN**

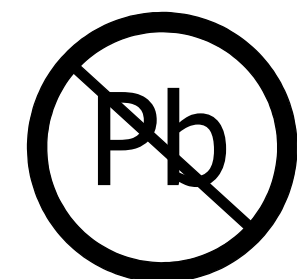


RoHS COMPLIANT

UNLESS OTHERWISE SPECIFIED: DIMENSIONS ARE IN MM [INCHES]		DRAWN	DATE	NAME	
TOLERANCES: ANGULAR: ± 3° DECIMALS X.= ± 0.38 [0.15] X.= ± 0.25 [0.10] .XX= ± 0.13 [0.05]			07/01/2011	LH	
<small>THE INFORMATION HEREIN CONTAINS PROPRIETARY INFORMATION OF SULLINS ELECTRONICS AND IS NOT TO BE REPRODUCED, USED OR DISCLOSED TO OTHERS FOR ANY PURPOSE EXCEPT AS SPECIFICALLY AUTHORIZED IN WRITING BY AN OFFICER OF SULLINS ELECTRONICS.</small>					TITLE 160 SERIES D-SUB H.D. HIGH PROFILE PCB TYPE
PART NUMBER SDS160-PR - - - - N - - -					SIZE C
CAGE CODE 54453			DWG. NO. 11802		REV D
SCALE: 1:8				SHEET 4 OF 6	



**CONSULT SALES OR
FACTORY FOR OTHER
MOUNTING STYLE OPTIONS**



RoHS COMPLIANT

UNLESS OTHERWISE SPECIFIED: DIMENSIONS ARE IN MM [INCHES]		DRAWN	DATE	NAME	
TOLERANCES: ANGULAR: $\pm 3^\circ$ DECIMALS X = $\pm 0.38 [0.015]$ XX = $\pm 0.25 [0.010]$.XX = $\pm 0.13 [0.005]$			07/01/2011	LH	
<small>THE INFORMATION HEREIN CONTAINS PROPRIETARY INFORMATION OF SULLINS ELECTRONICS AND IS NOT TO BE REPRODUCED, USED OR DISCLOSED TO OTHERS FOR ANY PURPOSE EXCEPT AS SPECIFICALLY AUTHORIZED IN WRITING BY AN OFFICER OF SULLINS ELECTRONICS.</small>					160 SERIES D-SUB H.D. HIGH PROFILE PCB TYPE
PART NUMBER					SDS160-PR_ _ _ _ _ N _ _ _
SIZE	CAGE CODE	DWG. NO.	REV		
C	54453	11802	D		
SCALE: 1:8				SHEET 5 OF 6	

