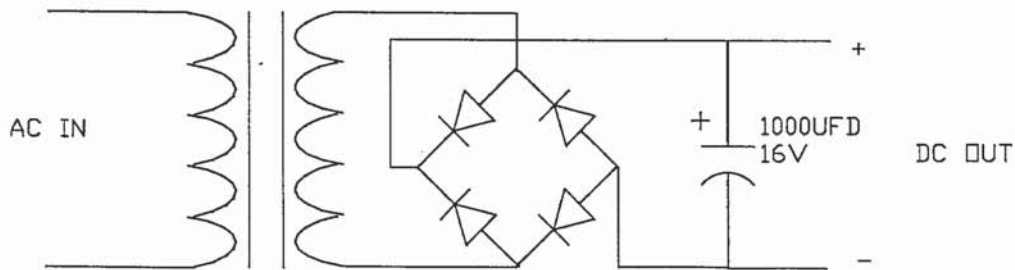
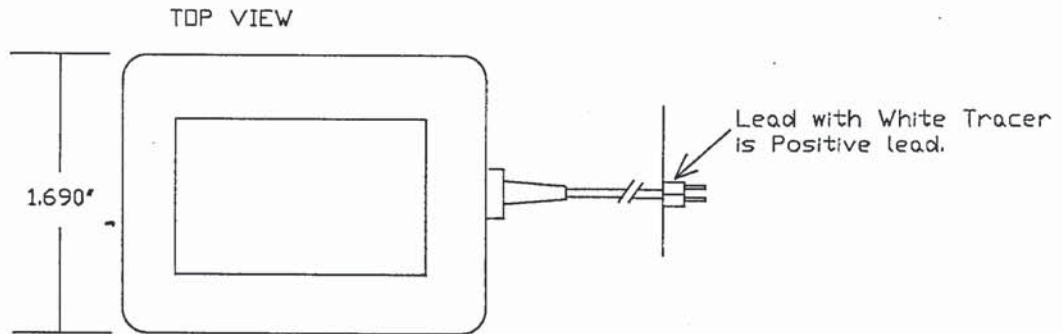
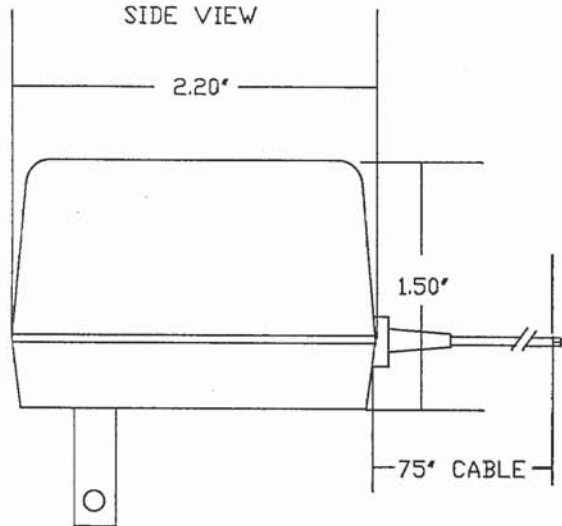


Model 485PS2

B & B ELECTRONICS MFG. CO.

OTTAWA, IL 61350



INPUT: 120VAC, 60HZ, 3W
 OUTPUT: 12VDC, 100MA.
 OPERATING TEMPERATURE: 0° - 40° C
 STORAGE TEMPERATURE: -20° - 70° C
 DIELECTRIC STRENGTH: 1500VAC FOR 1 MIN.
 WEIGHT=5.8 OZ.
 UL and CSA APPROVED.

REF: AD-1210

B & B ELECTRONICS	
ORIG. MAR. 15, 1994	RLH & CAF
485 CONVERTER POWER SUPPLY	
FILE=485PS2	
MODEL 485PS2	
SHT 1 OF 1	

© B&B Electronics

Phone: (815) 433-5100
 Office Fax: (815) 433-5105
 Tech Fax: (815) 433-5104
 Sales Fax: (815) 433-5109

B & B electronics
 MANUFACTURING COMPANY
 707 Dayton Road - P.O. Box 1040 - Ottawa, IL 61350 USA

Home Page: www.bb-elec.com
 E-mail: orders@bb-elec.com
support@bb-elec.com
catrqt@bb-elec.com