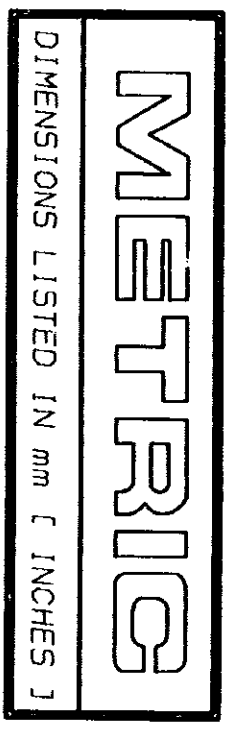
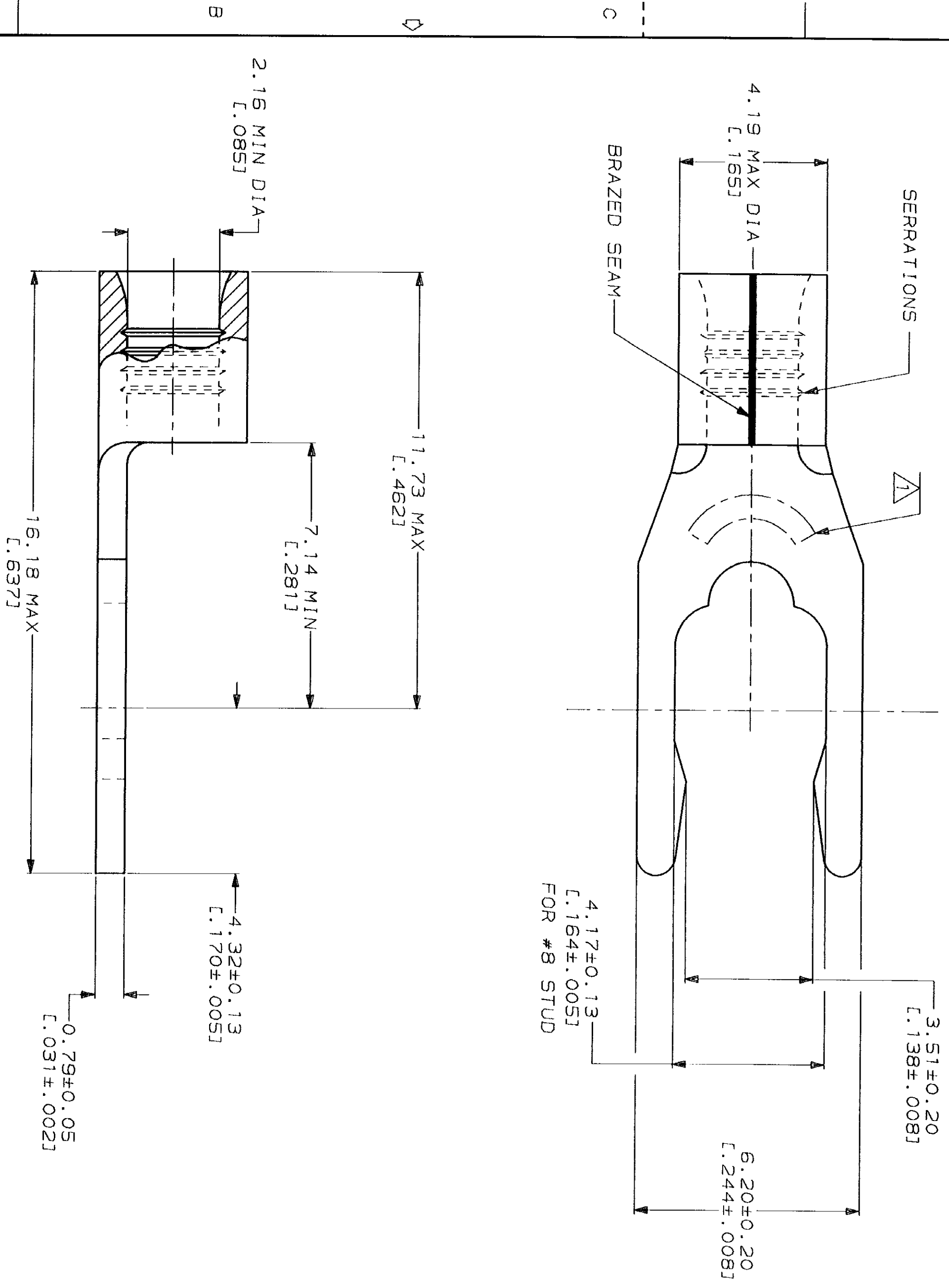


C	REVISED & REDRAWN PER 0720-0040-93	3-29-93	JAB DAP
	REACTIVATED 53833-1 PER 0720-6018-92		



<b>AMP</b> WIRE RANGE	<b>UL</b> E13288 Listed
16-14 AWG SOLID OR STRANDED	16-14 AWG SOLID OR STRANDED
<b>LR7189</b> Certified	MILITARY P/N AND CLASS
16-14 AWG SOLID OR STRANDED	NOT APPLICABLE

STAMP 85 AMP 16-14\* APPROX AS SHOWN  
85 INDICATES STUD SIZE



**AMP INCORPORATED  
CUSTOMER SERVICE SYSTEMS**

FOR ADDITIONAL PRODUCT INFORMATION OR COPIES OF DRAWINGS AND TECHNICAL DOCUMENTS	PRODUCT INFORMATION CENTER 1-800-522-6752
FOR APPLICATION TOOLING INFORMATION	TOOLING ASSISTANCE CENTER 1-800-722-1111
FOR ORDER ENTRY	1-800-526-5142

MAX RECOMMENDED OPERATING TEMPERATURE: 170°C MAX

VOLTAGE RATING: NOT APPLICABLE

WIRE CROSS SECTIONAL AREA RANGE: 1.04-2.62mm<sup>2</sup> [2,050-5,180] CIR MILS SOLID OR STRANDED

THIS DRAWING IS A CONTROLLED DOCUMENT FOR AMP INCORPORATED. IT IS SUBJECT TO CHANGE AND THE CONTROLLING ENGINEERING ORGANIZATION SHOULD BE CONTACTED FOR THE LATEST REVISION.

DO NOT SCALE PRINT. UNLESS SPECIFIED DIMENSIONS IN mm [INCHES] TOLERANCES ON: 1. PLC DEC # - - 2. PLC DEC # - - 3. PLC DEC # - - ANGLES

DR 3-29-93  
TA BRINKMAN  
CHK 3-29-93  
DA PATTERSON  
APPD 3-29-93  
DE MILLER  
APPD 3-29-93  
JL MECKLEY  
PRODUCT SPEC

QUANTITY	5000	ON TAPE	53833-2
PACKAGING TYPE	LOOSE PIECE		53833-1
PART NO			

FINISH: TIN PLATE  
0.00254 [0.000100] MIN THK PER MIL-T-10727

APPLICATION SPEC

NAME	TERMINAL, SHORT SPRING SPADE, SOLISTRAND™
SIZE	CAGE CODE 00779 DRAWING NO 53833
SCALE	10:1 SHEET 1 OF 1