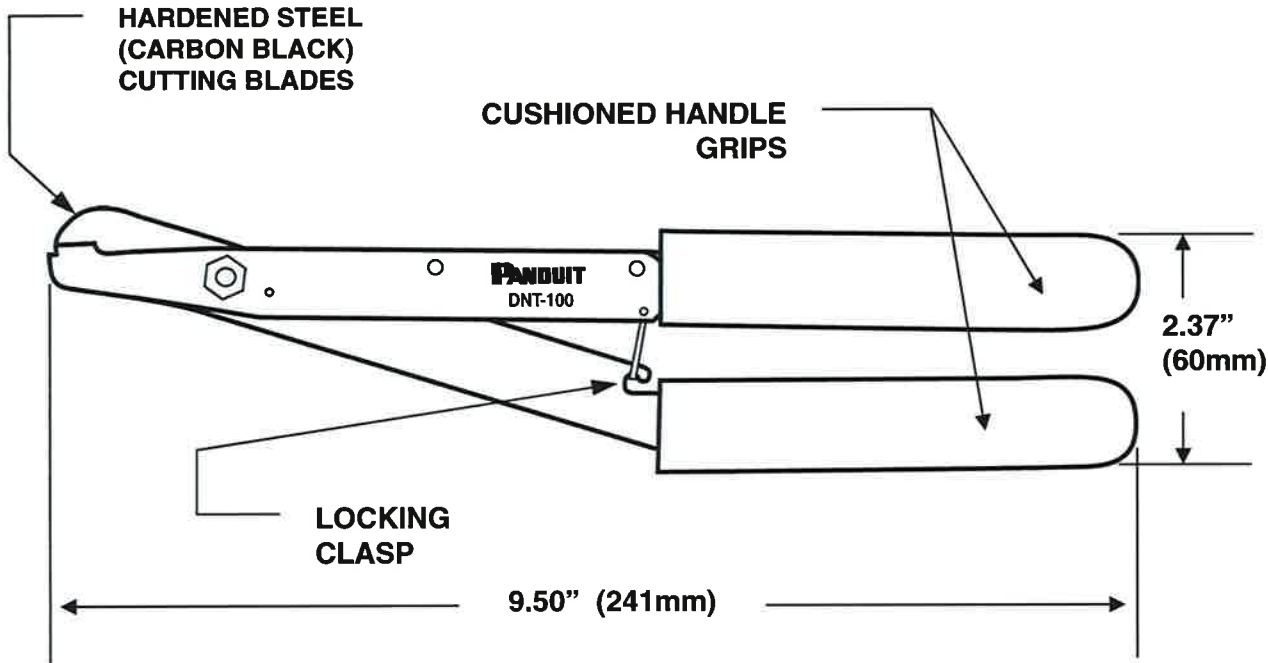


THIS COPY IS PROVIDED ON A RESTRICTED BASIS AND IS NOT TO BE USED IN ANY WAY DETRIMENTAL TO THE INTERESTS OF PANDUIT CORP.



NOTES:

For use with Panduct Plastic Wiring Duct.

- Used to notch the duct sidewall down to the score line to facilitate finger breakouts for corner and 'T' junctions.
- Spring loaded in open position. (Closed position shown in drawing.)

DIMENSIONS ARE FOR REFERENCE ONLY.

WEIGHT: 9.1 oz.
(258 gr.)

						DNT-100 DUCT NOTCHING TOOL						
						CUSTOMER DRAWING						
						ITEM REVISION NAME:		PANDUIT				
						WD24978A01_01						
						UNLESS OTHERWISE SPECIFIED, DIMENSIONAL TOLERANCES ARE:		MATERIAL:				
						(.x) ± -- (.xxx) ± --		-----				
						(.xx) ± -- ANGLES ± --		DRAWING NUMBER:				
						 THIRD ANGLE PROJECTION		WD24978A01				
01	2-19-14	BLR	BJPU		UPD TEMPLATE & BRANDING	4713	DRAWN BY:	DATE:	CHK	SCALE	SHT 1 OF 1	SIZE A
REV	DATE	BY	CHK	APR	DESCRIPTION	ECN	BLR	3-15-05	MBR	NONE		