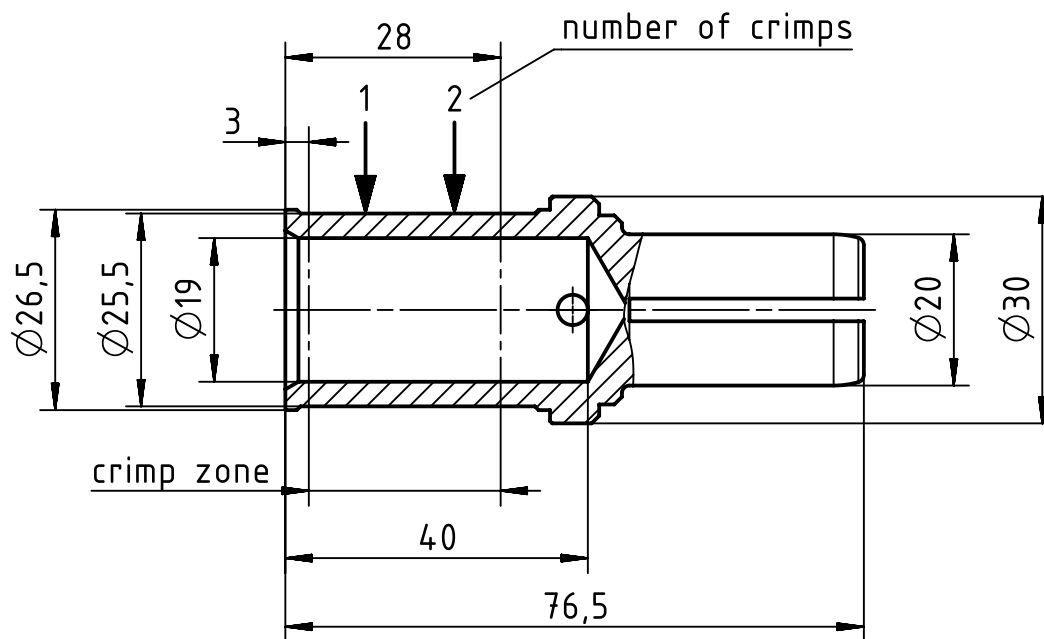


A

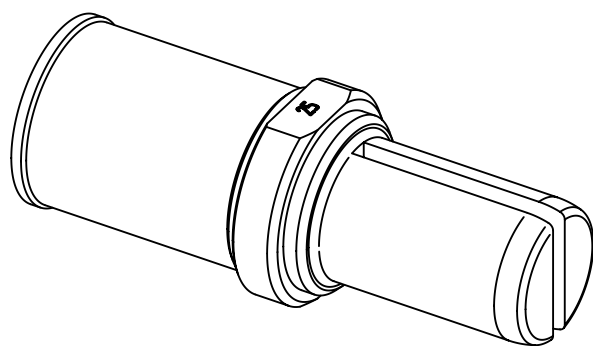
B

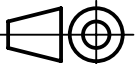

C

D



assembly notes see catalogue  
 crimp zone acc. to DIN EN 46235; indicator 25  
 for stranded fine wire acc. to VDE 0295 class 5 / IEC 60228 class 5  
 wire gauge: 185mm<sup>2</sup>  
 stripping length: 42mm



 All Dimensions in mm Original Size DIN A4	Scale	Free size tol.		Ref.	
	1:1			Sub.	
 All rights reserved Department EL PD - DE	Created by	Inspected by	Standardisation	Date	State
	SCHULZI	SCHNIEDER	SCHMIDTM	2015-01-27	Final Release
HARTING Electric GmbH & Co. KG D-32339 Espelkamp	Title			Doc-Key / ECM-Nr.	
	Han TC650 male contact 185mm <sup>2</sup>			100210235/UGD/004/C 500000082399	
Type	Number	Rev.		Page	
TB	09 11 000 6165	C		1/1	