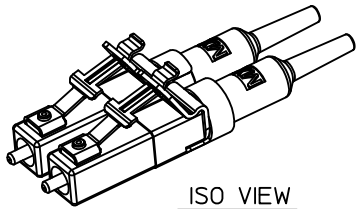
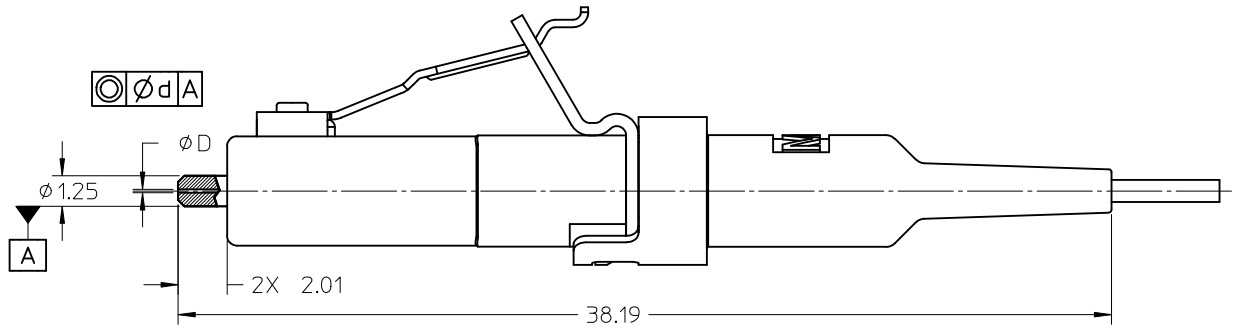
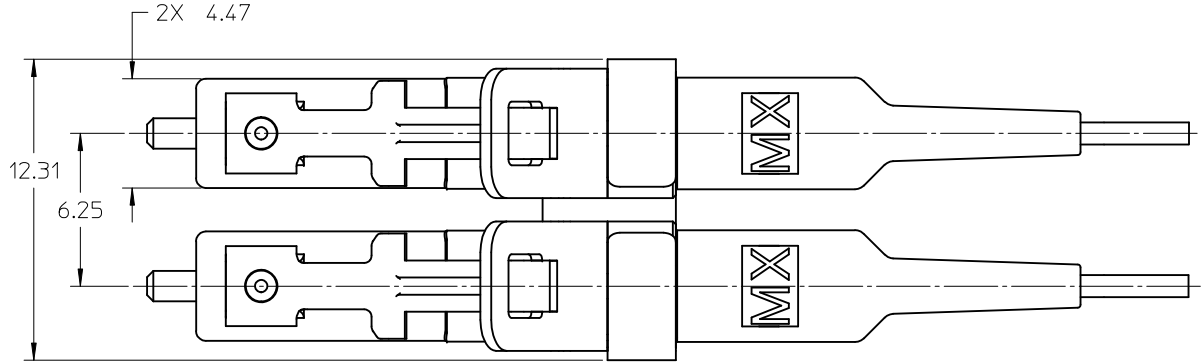
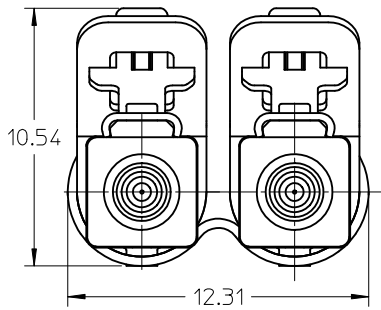


CONNECTOR P/N	∅D (µm)	∅d (µm)	BOOT COLOR	CABLE TYPE
106397-2202	125.50 <sup>+0.50</sup> <sub>0</sub>	0.5	BLUE	SM
106397-2402	127.0 <sup>+3.00</sup> <sub>0</sub>	3.0	WHITE	MM



ISO VIEW  
SCALE 2:1



NOTES:

1. ALL DIMENSIONS ARE FOR REFERENCE ONLY.
2. DUST CAPS ARE NOT SHOWN.

<b>ENTER DESCRIPTION</b> EC NO: MF2010-0307 DRWN: JSZEW CZYK 2010/01/25 CHKD: JSZEW CZYK 2010/01/18 APPR: IGUMIN 2010/01/25 A	<b>QUALITY SYMBOLS</b> ▽=0 ∇=0	<b>GENERAL TOLERANCES (UNLESS SPECIFIED)</b>		<b>DIMENSION STYLE</b> MM ONLY		SCALE 5:1	DESIGN UNITS METRIC	THIRD ANGLE PROJECTION		
		mm	INCH	DRAWN BY	DATE	TITLE LC2+ DUPLEX CONNECTOR FOR BARE FIBER				
		4 PLACES ± ---	± ---	JSZEW CZYK	2010/01/11					
		3 PLACES ± ---	± ---	CHECKED BY	DATE	MOLEX INCORPORATED				
2 PLACES ± ---	± ---	WCHEN	2009/05/08							
1 PLACE ± ---	± ---	APPROVED BY	DATE	DOCUMENT NO. SD-106397-2X02						
ANGULAR ±1/2°		IGUMIN	2010/01/25						SHEET NO. 1 OF 1	
DRAFT WHERE APPLICABLE MUST REMAIN WITHIN DIMENSIONS		MATERIAL NO. SEE TABLE		THIS DRAWING CONTAINS INFORMATION THAT IS PROPRIETARY TO MOLEX INCORPORATED AND SHOULD NOT BE USED WITHOUT WRITTEN PERMISSION						