

TECHNICAL CHARACTERISTICS

MATERIAL
 CONTACT MATERIAL: PHOSPHOR BRONZE
 CONTACT TYPE: STAMPED
 CONTACT PLATING: TIN
 QUALITY CLASS: 25 MATING CYCLES
 PITCH: FOR 1.00 MM

ENVIRONMENTAL
 OPERATING TEMPERATURE: -25 UP TO 85°C
 COMPLIANCE: LEAD FREE AND ROHS

ELECTRICAL
 CURRENT RATING: 1A
 WORKING VOLTAGE: 50V AC
 CONTACT RESISTANCE: 20 mΩ MAX

WIRE DIMENSION:
 AWG: AWG 32 - 28

PACKAGING
 1 KPCS REEL

RoHS Compliant

| | | | |
|-----|-----------|------|----|
| | | | |
| | | | |
| | | | |
| | | | |
| A | 29-JUL-14 | PDF | AS |
| REV | DATE | FILE | BY |

PROJECTION:

GENERAL TOLERANCE
 .X = +/- 0.2
 .XX = +/- 0.15

DESCRIPTION: WR-WTB 1.00 MM FEMALE CRIMP TERMINAL

APPROVAL: BBu

UNIT: MM
 SCALE:
 SHEET: 1/3

WERI PART NO: 665 101 137 22

SIZE
A4

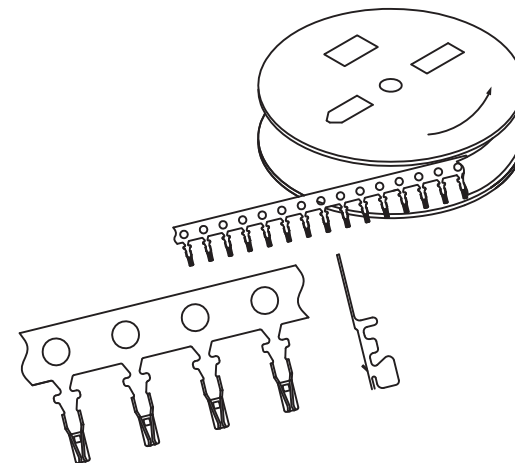
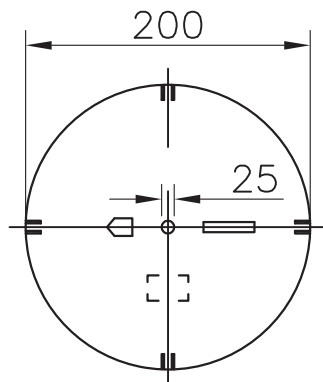
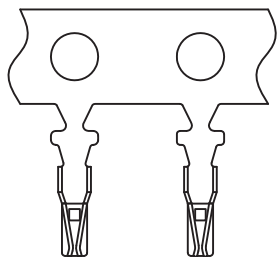
1

2

3

4

5



| Q'TY | Pcs/Carton | Carton Size |
|------|------------|--------------|
| 1K/R | 22K | 35*35*29.6cm |

RoHS Compliant

| | | | |
|-----|-----------|------|----|
| G | | | |
| F | | | |
| E | | | |
| D | | | |
| C | | | |
| B | | | |
| A | 11-SEP-14 | PDF | AS |
| REV | DATE | FILE | BY |

PROJECTION:

GENERAL TOLERANCE
 .X = +/- 0.2
 .XX = +/- 0.15



APPROVAL: BBu

UNIT: MM
 SCALE:
 SHEET: 2/3
 DRAW: AS

DESCRIPTION: WR-WTB 1.00 MM FEMALE CRIMP TERMINAL
 WERI PART NO: 665 101 137 22

SIZE
A4

A

B

C

D

1

2

3

4

5

Cautions and Warnings:

This electronic component is designed and developed with the intention for use in general electronics equipments.

Before incorporating the components into any equipments in the field such as aerospace, aviation, nuclear control, submarine, transportation, (automotive control, train control, ship control), transportation signal, disaster prevention, medical, public information network etc. where higher safety and reliability are especially required or if there is possibility of direct damage or injury to human body, Würth Elektronik must be asked for a written approval.

In addition, even electronic component in general electronic equipments, when used in electrical circuits that require high safety, reliability functions or performance, the sufficient reliability evaluation-check for the safety must be performed before by the user before usage.

A

B

C

RoHS Compliant

| | | | | | | | |
|-----|-----------|------|----|--|---|---|-------------------|
| G | | | | PROJECTION:  | GENERAL TOLERANCE .X = +/- 0.2 .XX = +/- 0.15 |  | |
| F | | | | | | | |
| E | | | | | | | |
| D | | | | | | | |
| C | | | | APPROVAL: JC | UNIT: MM | DESCRIPTION: DISCLAIMER | SIZE A4 |
| B | | | | | SCALE: | | |
| A | 10-SEP-14 | PDF | QL | | SHEET: 3/3 | WERI PART NO: DISCLAIMER | |
| REV | DATE | FILE | BY | | DRAW: QL | | |

D