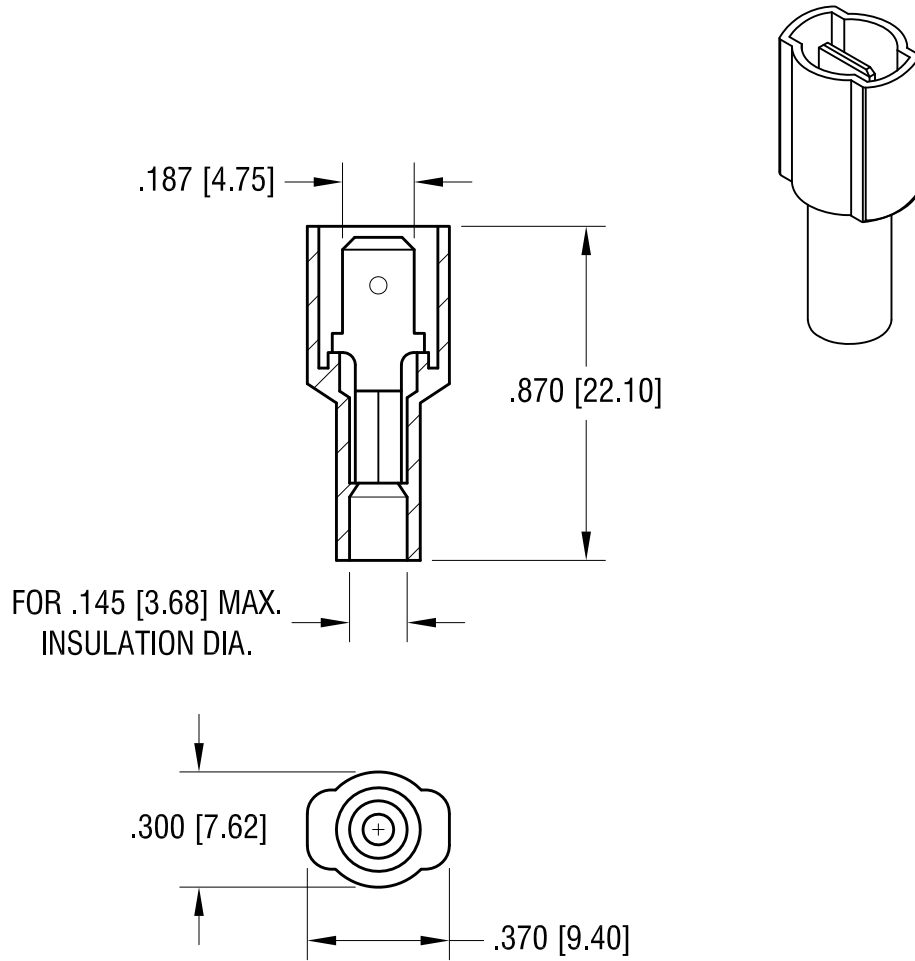


THIS DOCUMENT IS THE PROPERTY OF
KEYSTONE ELECTRONICS CORP. AND
SHALL NOT BE REPRODUCED, DISTRIBUTED
OR USED AS A BASIS FOR MANUFACTURE
WITHOUT PRIOR WRITTEN PERMISSION
FROM KEYSTONE ELECTRONICS CORP.



NOTE:

1. TERMINAL: MALE TAB
.187 [4.75] x .020 [0.50] TH'K COPPER, TIN PLATE
INSULATOR: NYLON 6/6, RED
2. ACCOMMODATES WIRE RANGE 22/18 AWG

| | | | |
|--|-------------|-----------|-------------|
| KEYSTONE ELECTRONICS CORP. | | | |
| ASTORIA, N.Y. 11105-2017 | | | |
| PART NAME | | | |
| FULLY INSULATED QUICK-FIT TERMINAL, MALE | | | |
| MATERIAL | | | |
| AS NOTED | | | |
| FINISH | | DRN BY | DATE |
| AS NOTED | | BOONE | 11.20.07 |
| | | APP'D | SCALE |
| | | LN | 2X |
| TOLERANCES | INCH | [MM] | CODE |
| DECIMAL | ± .010 | [± 0.25] | DWG NO. |
| ANGULAR | ± 1° | | |
| UNLESS OTHERWISE SPECIFIED | | | |
| DATE | DESCRIPTION | REV. | 8296 |