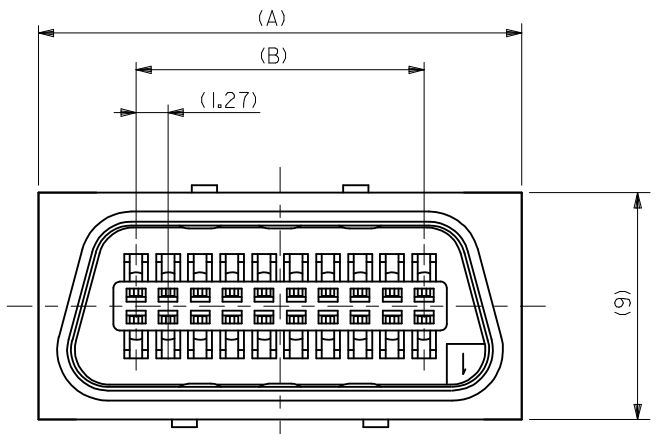
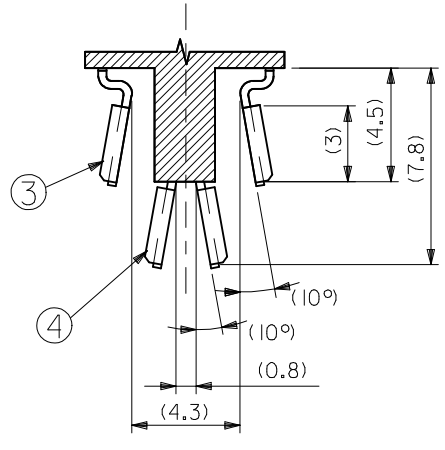


10 9 8 7 6 5 4 3 2 1

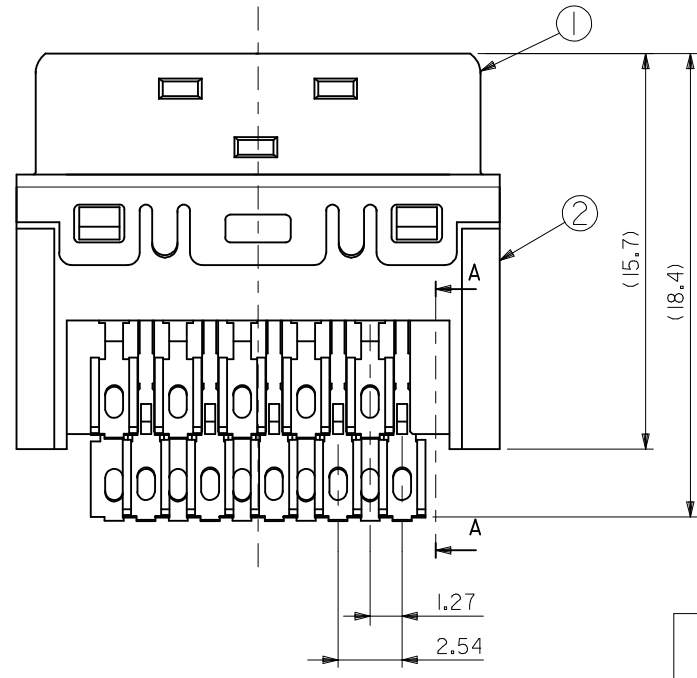
CONFIDENTIAL



NO.	DESCRIPTION	MATERIAL	FINISH
①	シェル SHELL	鋼 STEEL	ニッケルメッキ NICKEL PLATING
②	ハウジング HOUSING	ポリアミド46 UL94V-0 POLYAMIDE46	色:黒 COLOR:BLACK
③	端子 TERMINAL	りん青銅 PHOSPHOR BRONZE	接点部 CONTACT AREA GOLD:0.3 MICROMETER MIN 半田付け部分 SOLDER TAIL TIN:1.0 MICROMETER MIN
④	端子 TERMINAL		全体下地 UNDER PLATING NICKEL:2.0 MICROMETER MIN



SECTION A-A



30.48	38.23	54306-50 19	50
21.59	29.34	54306-36 19	36
15.24	22.99	54306-26 19	26
11.43	19.3	54306-20 19	20
7.62	15.37	54306-14 19	14

MODEL No. 54306-**-19

B A 製品番号 極数
MATERIAL No. CKT

REVISED		GENERAL TOLERANCES (UNLESS SPECIFIED)		DIMENSION STYLE		SCALE		DESIGN UNITS		THIRD ANGLE PROJECTION	
EC NO: J2009-0502	2008/10/07	10 UNDER ±0.2		MM ONLY		5:1		METRIC		◎ □	
DRW: NESATO	2009/04/15	10 OVER 30 UNDER ±0.25		DRAWN BY T. UENO		DATE 2004/05/19		TITLE 1.27 I/O CONN. PLUG HSG ASSY			
CHKD: MATSUMOTO	2009/04/15	30 OVER ±0.3		CHECKED BY M. SASAO		DATE 2004/05/19					
APPR: NUKITA	2009/04/15	ANGULAR ±3 °		APPROVED BY M. SASAO		DATE 2004/05/19		MOLEX INCORPORATED			
REV	DESCRIPTION	DRAFT WHERE APPLICABLE MUST REMAIN WITHIN DIMENSIONS		MATERIAL NO.		DOCUMENT NO.					
A				SEE CHART		SD-54306-001		1 OF 1			
				SIZE A3		THIS DRAWING CONTAINS INFORMATION THAT IS PROPRIETARY TO MOLEX INCORPORATED AND SHOULD NOT BE USED WITHOUT WRITTEN PERMISSION					