

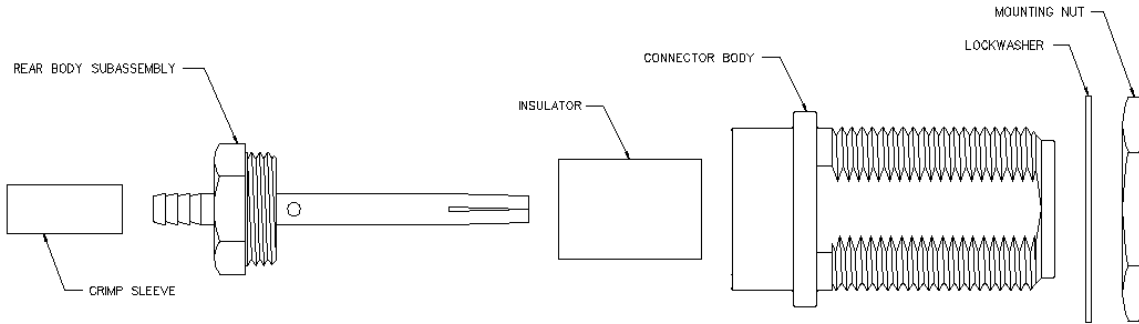
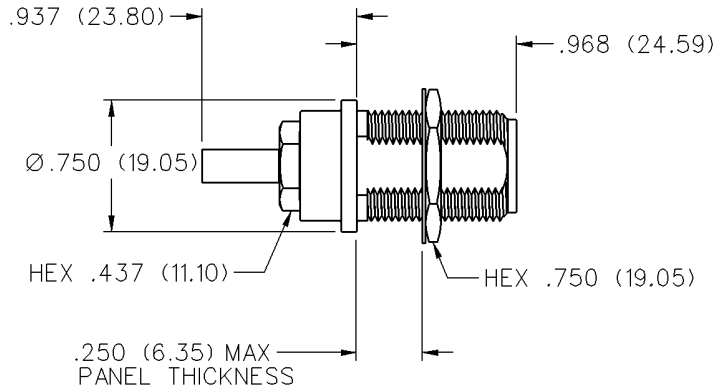
# N Connectpr Straight Crimp Type Bulkhead Jack - Diecast Body



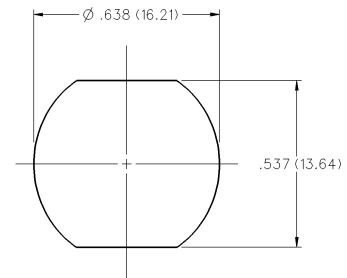
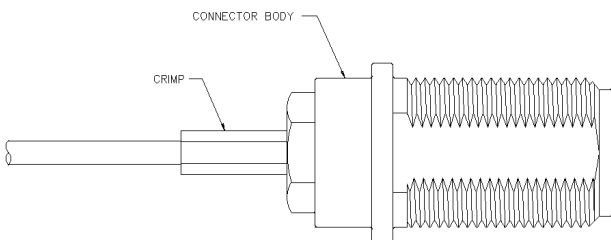
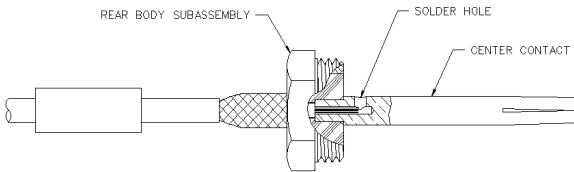
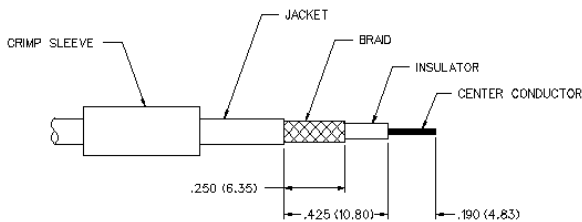
INCHES (MILLIMETERS)  
CUSTOMER DRAWINGS AVAILABLE UPON REQUEST



| CABLE TYPE             | NICKEL PLATED |
|------------------------|---------------|
| RG-188 DS<br>RG-316 DS | 134-0304-406  |



| CABLE GROUP     | PART NUMBER  | CRIMP HEX   |
|-----------------|--------------|-------------|
| RG-316DS, 188DS | 134-0304-406 | .160 (4.06) |



1. Identify connector parts. (6 piece parts)
2. Strip cable to dimensions shown. Do not nick braid or center conductor. A wire stripper of correct size is recommended for this step. Twist stranded center conductor into a tight bundle and tin (optional). Slide crimp sleeve onto cable as shown.
3. Flare body and slide cable into crimp stem of rear body subassembly, until cable dielectric bottoms out on center contact. Solder center conductor to contact through the solder hole. Solder must not be allowed to gather and run on outside of contact. Use a minimum amount of solder for a good joint. **.020 (0.51) diameter solder is recommended.**
4. Arrange braid uniformly around crimp stem. Slide crimp sleeve over braid and crimp securely using recommended crimp tool. Slide insulator over center conductor and slide center contact assembly into connector body. Thread rear body subassembly into body and tighten securely (ref. 30 in-lbs torque.)

# N Connectors

## Specifications



INCHES (MILLIMETERS)  
CUSTOMER DRAWINGS AVAILABLE UPON REQUEST

### ELECTRICAL RATINGS

**Impedance:** 50 ohms

**Frequency Range:** 0-11 GHz

| VSWR: (f = GHz)    | Typical VSWR | Frequency Range (GHz) |
|--------------------|--------------|-----------------------|
| RG-316 cable ..... | 1.20         | 0-2                   |
|                    | 1.50         | 2-11                  |
| RG-58 cable .....  | 1.30         | 0-5                   |
|                    | 1.70         | 5-11                  |
| RG-142 cable ..... | 1.20         | 0-5                   |
|                    | 1.50         | 5-11                  |

**Working Voltage:** (Vrms maximum)

| Connectors for Cable Type | Sea Level | 70K Feet |
|---------------------------|-----------|----------|
| RG-316 .....              | 335       | 85       |
| RG-58 .....               | 500       | 125      |
| RG-142 .....              | 500       | 125      |

**Dielectric Withstanding Voltage:** (VRMS minimum at sea level)

|              |      |
|--------------|------|
| RG-316 ..... | 1000 |
| RG-58 .....  | 1500 |
| RG-142 ..... | 1500 |

**Insulation Resistance:** 5000 megohms minimum

**Contact Resistance:** (milliohms maximum)

|                      | Initial | After Environmental |
|----------------------|---------|---------------------|
| Center contact ..... | 3.0     | 4.0                 |
| Outer contact .....  | 2.0     | N/A                 |
| Braid to body .....  | 5.0     | N/A                 |

\*\* All gold plated parts include a .00005" min. nickel underplate barrier layer.  
Avoid user injury due to misapplication.  
See safety advisory definitions inside front cover.

### MECHANICAL RATINGS

**Engagement Design:** MIL-STD-348, series N

**Engagement Force/Disengagement Force:** 6 inch-pounds maximum

**Mating Torque:** 6 to 10 inch-pounds

**Cable Retention:** Axial Force(lbs)\*

RG-316 ..... 20

RG-58 ..... 40

RG-142 ..... 45

\* Or cable breaking strength whichever is less.

**Durability:** 500 cycles minimum

### ENVIRONMENTAL RATINGS

(Meets or exceeds the applicable paragraph of MIL-C-39012)

**Temperature Range:** - 65°C to + 165°C

**Thermal Shock:** MIL-STD-202, Method 107, Condition B

**Corrosion:** MIL-STD-202, Method 101, Condition B

**Shock:** MIL-STD-202, Method 213, Condition I

**Vibration:** MIL-STD-202, Method 204, Condition B

**Moisture Resistance:** MIL-STD-202, Method 106

### MATERIAL SPECIFICATIONS

**Bodies:** Main body - zinc per ASTM B86-71, nickel plated per QQ-N-290

Rear body - brass per QQ-B-626, nickel plated per QQ-N-290

**Contacts:** Beryllium copper per QQ-C-530, gold plated\*\* per MIL-G-45204, .00001" min.

**Insulators:** PTFE fluorocarbon per ASTM D 1710 and ASTM D 1457

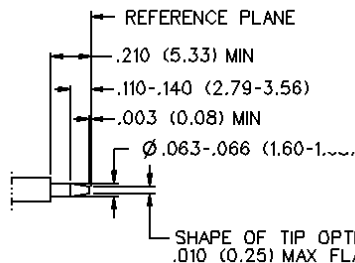
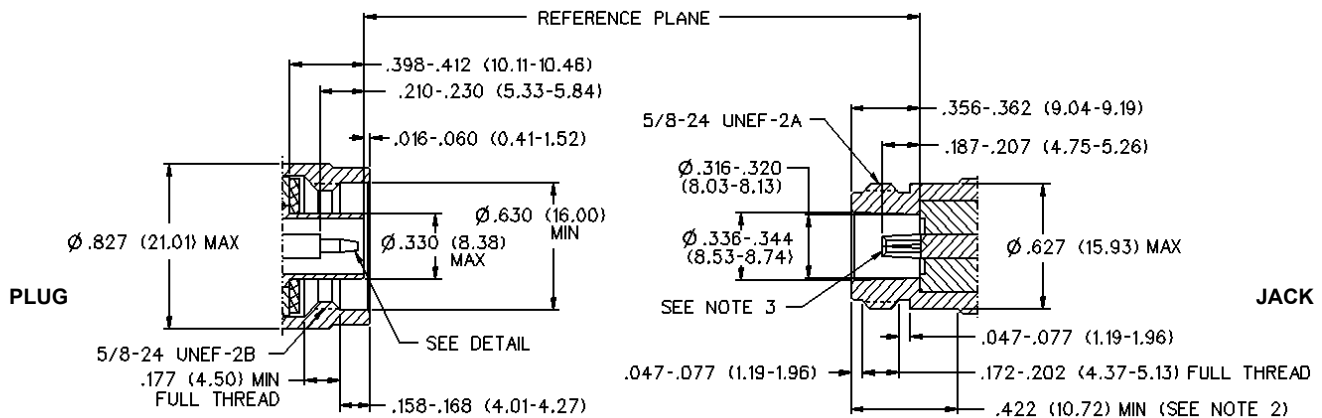
**Crimp Sleeves:** Copper per WW-T-799, nickel plated per QQ-N-290

### Mounting Hardware:

Nut - brass per QQ-B-626, nickel plated per QQ-N-290

Lockwasher - steel per QQ-S-700, zinc plated per QQ-Z-325

### MATING ENGAGEMENT FOR N SERIES PER MIL-C-39012



### NOTES

1. This interface shall meet the gauge requirements as specified in MIL-C-39012/1/2
2. Clearance for mating connector coupling unit.
3. I.D. to meet VSWR. Contact resistance and insertion withdrawal forces when mated with a .063/.066 (1.60/1.68) diameter male pin.