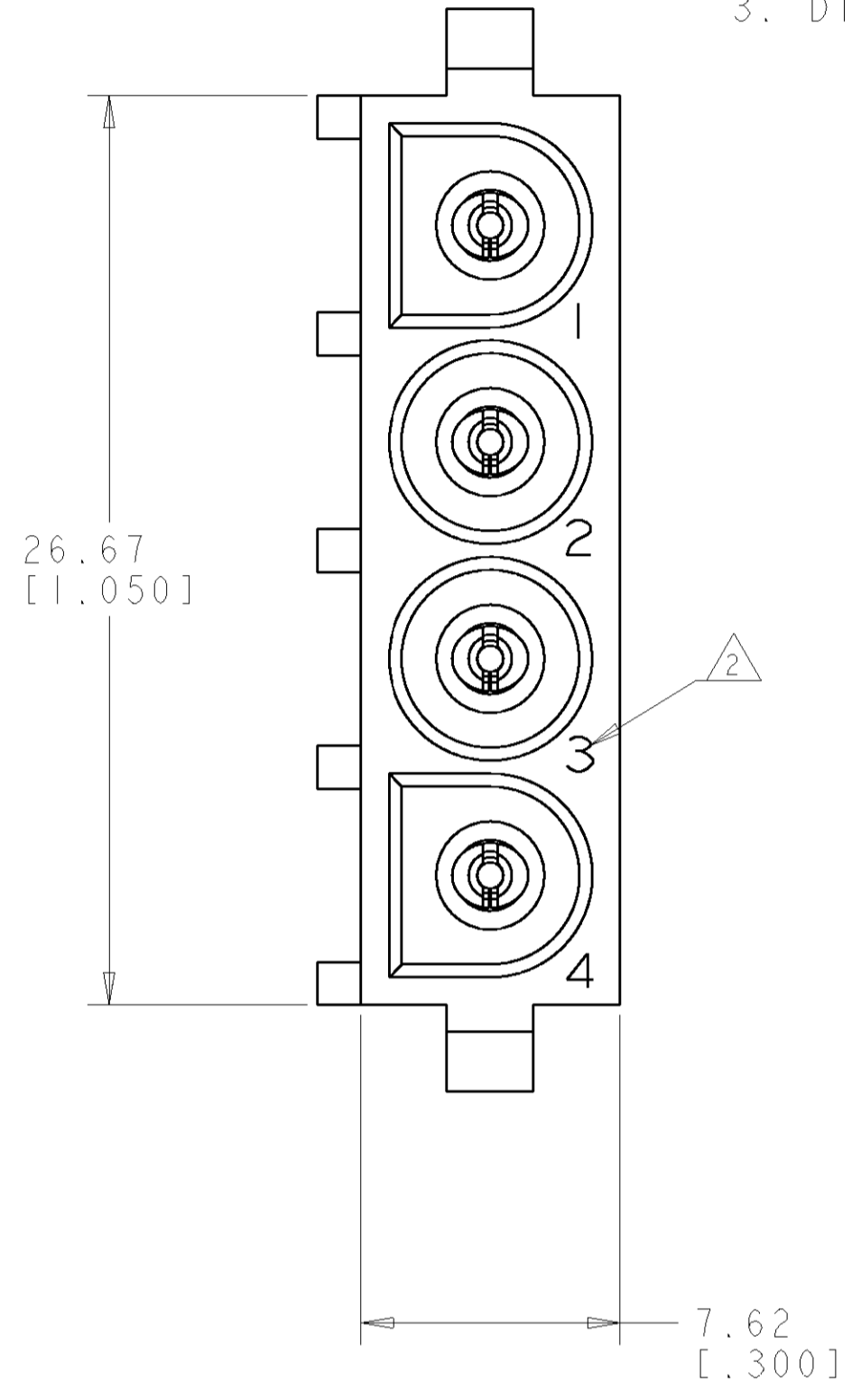
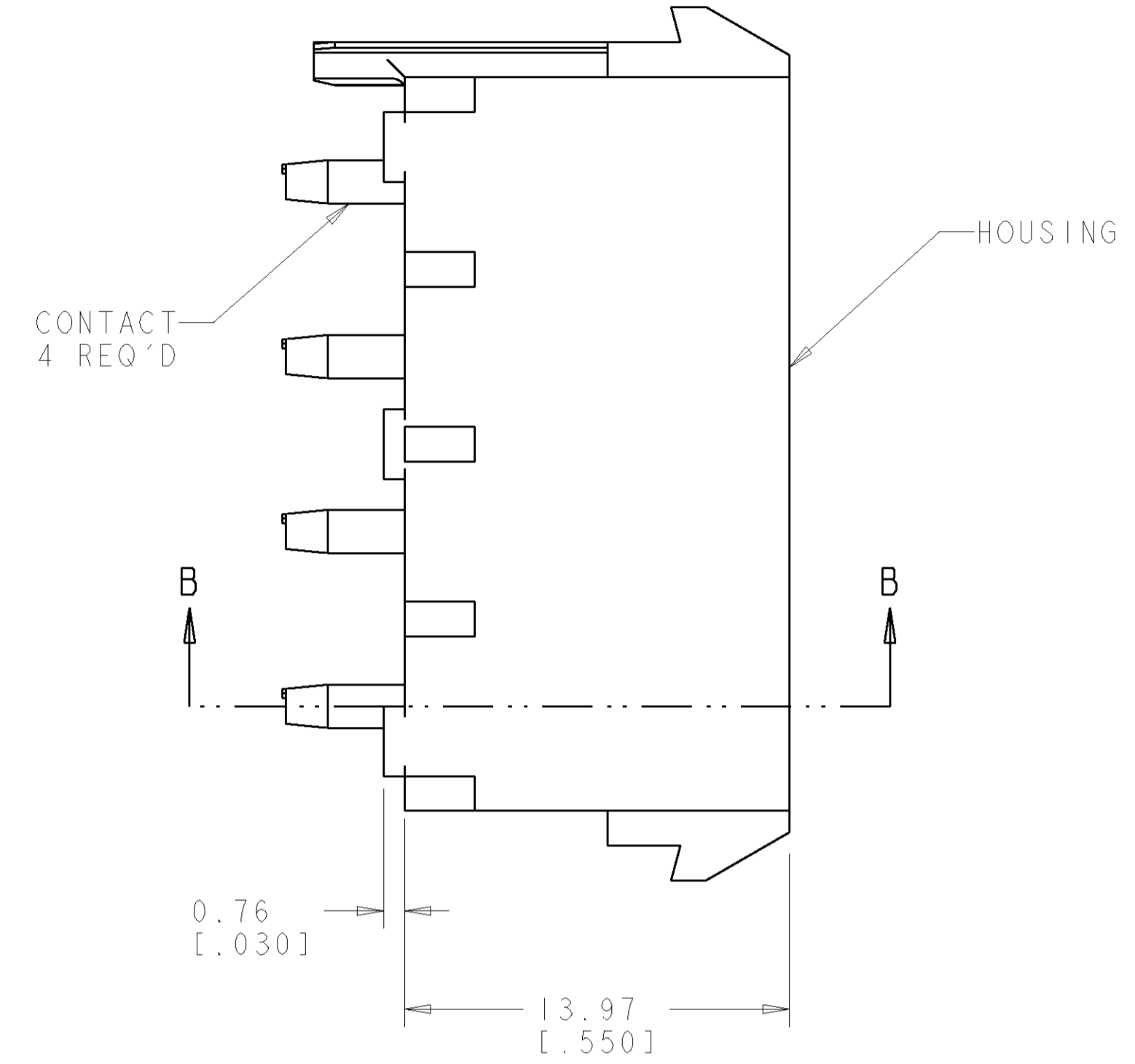
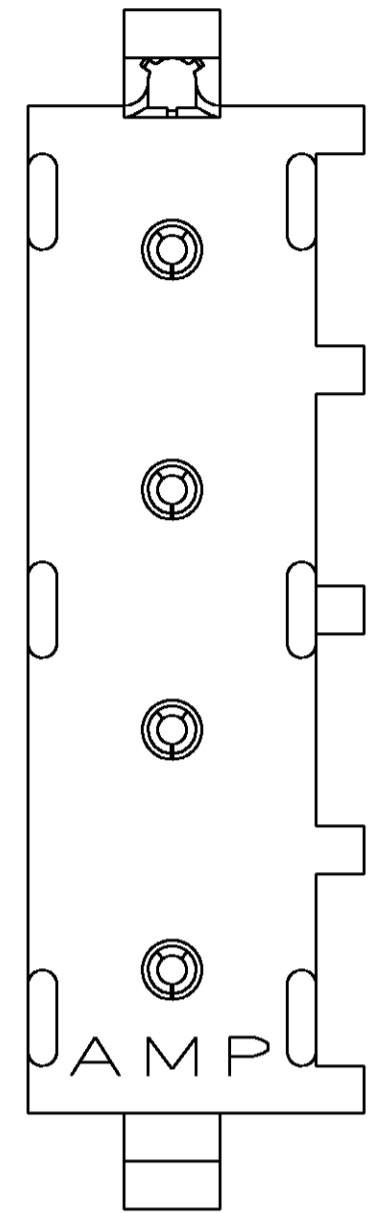
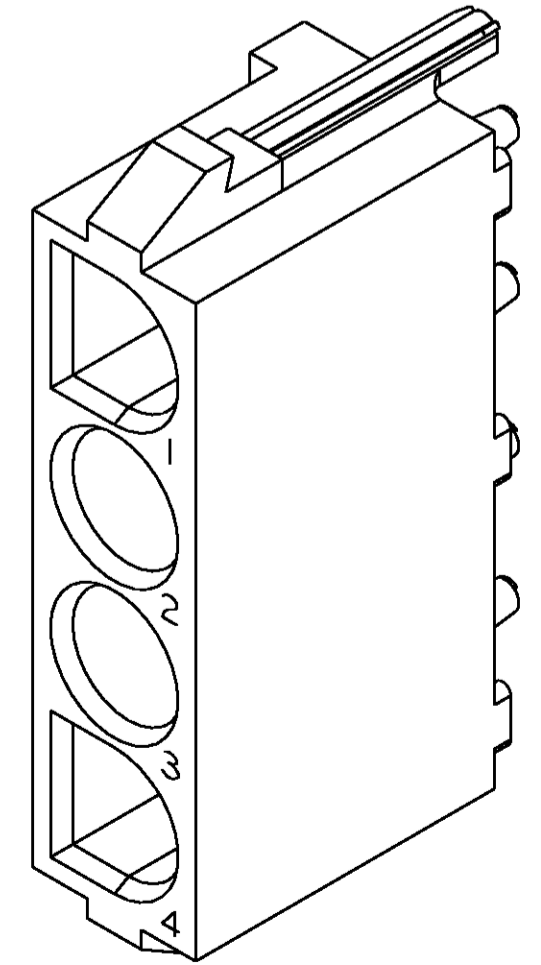
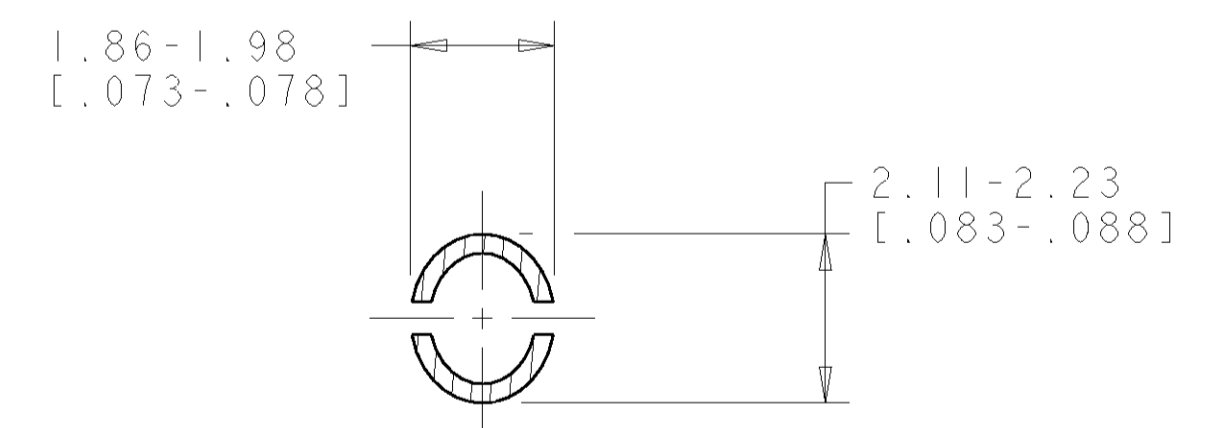
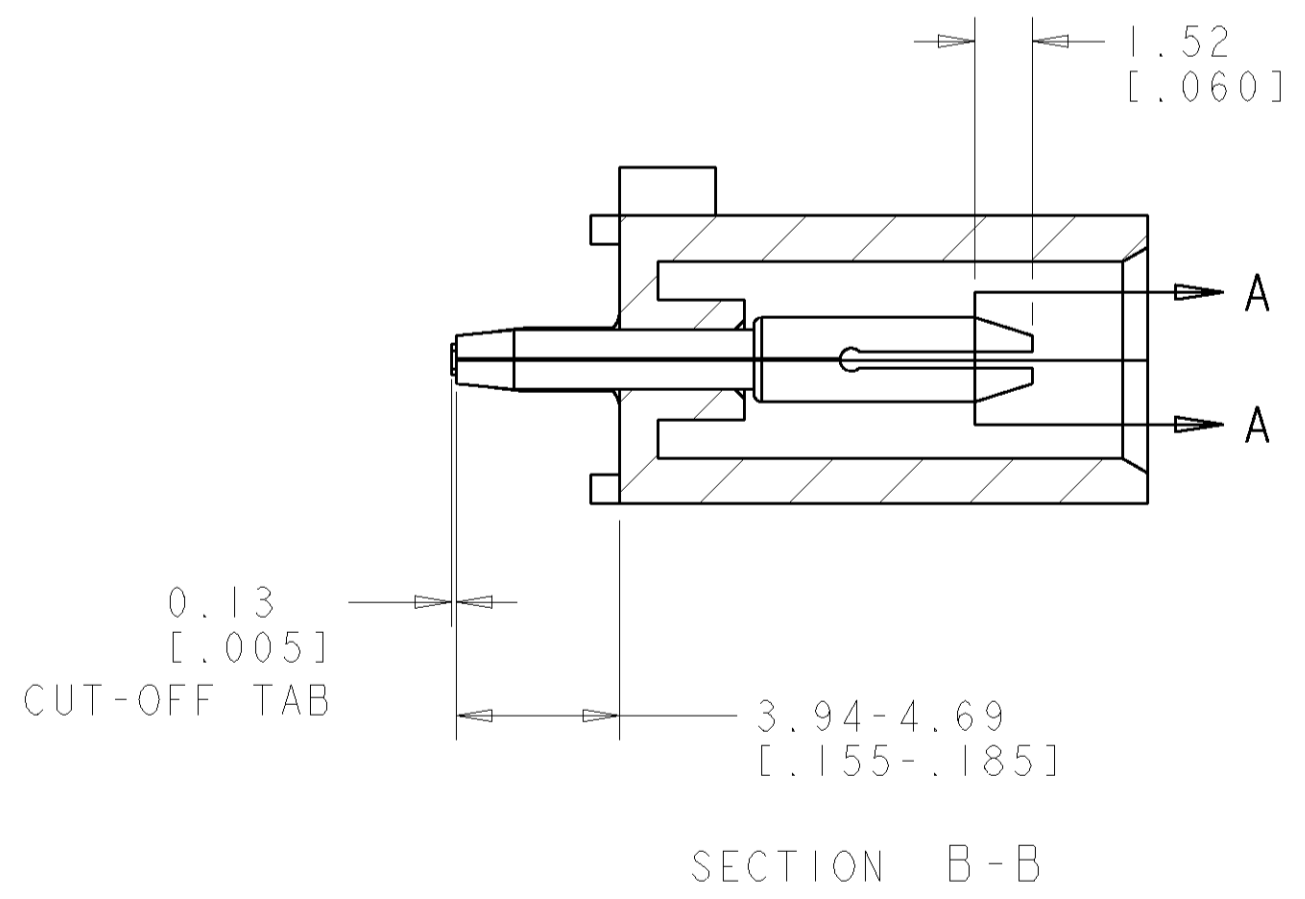


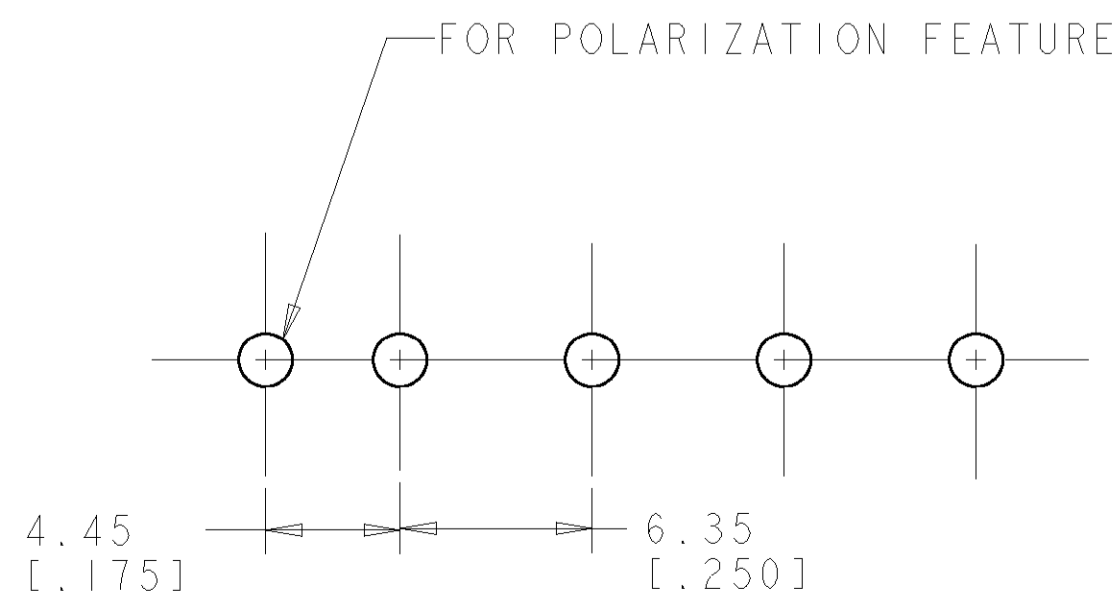
LOC		DIST		REVISIONS			
CM	00	P	LTR	DESCRIPTION	DATE	DWN	APVD
		0		RELEASED PER 0638-0439-03	03-SEP-03	KW	SR



- PARTS COMPLY TO AMP SOLDERABILITY SPECIFICATION 109-11-3.
- CIRCUIT IDENTIFICATION CHARACTERS ARE ADJACENT TO THE INDICATED CAVITIES, BUT LOCATION AND ORIENTATION MAY DIFFER FROM PRINT.
- DIMENSIONS IN BRACKETS ARE IN INCHES.



3 DIMENSIONAL MODEL
SCALE 4:1



RECOMMENDED MOUNTING HOLE PATTERN
FOR 1.57 [.062] THICK P.C. BOARD

PHOSPOR BRONZE, PRE-TIN PIN CONTACT MATERIAL AND FINISH	NYLON, UL94V-0, WHITE HOUSING MATERIAL AND COLOR	1586171-1 PART NUMBER
DIMENSIONS: mm [INCHES] TOLERANCES UNLESS OTHERWISE SPECIFIED: 0 PLC ± 1 PLC ± 2 PLC ±0.13(.005) 3 PLC ± 4 PLC ± ANGLES 40°±10° MATERIAL SEE TABLE FINISH SEE TABLE		DWN R. WHITAKER 03-SEP-2003 ENR S. RIDGILL 03-SEP-2003 APVD S. RIDGILL 03-SEP-2003 PRODUCT SPEC APPLICATION SPEC WEIGHT CUSTOMER DRAWING
METRIC		Tyco Electronics Harrisburg, PA 17105-3608 NAME: PIN HEADER ASSEMBLY, POLARIZED, 4 CIRCUIT, W/O DRAIN HOLES, UNIVERSAL MATE-N-LOK™ SIZE: A1 CAGE CODE: 00779 DRAWING NO: C=1586171 RESTRICTED TO: 0 SCALE: 5:1 SHEET 1 OF 1 REV 0