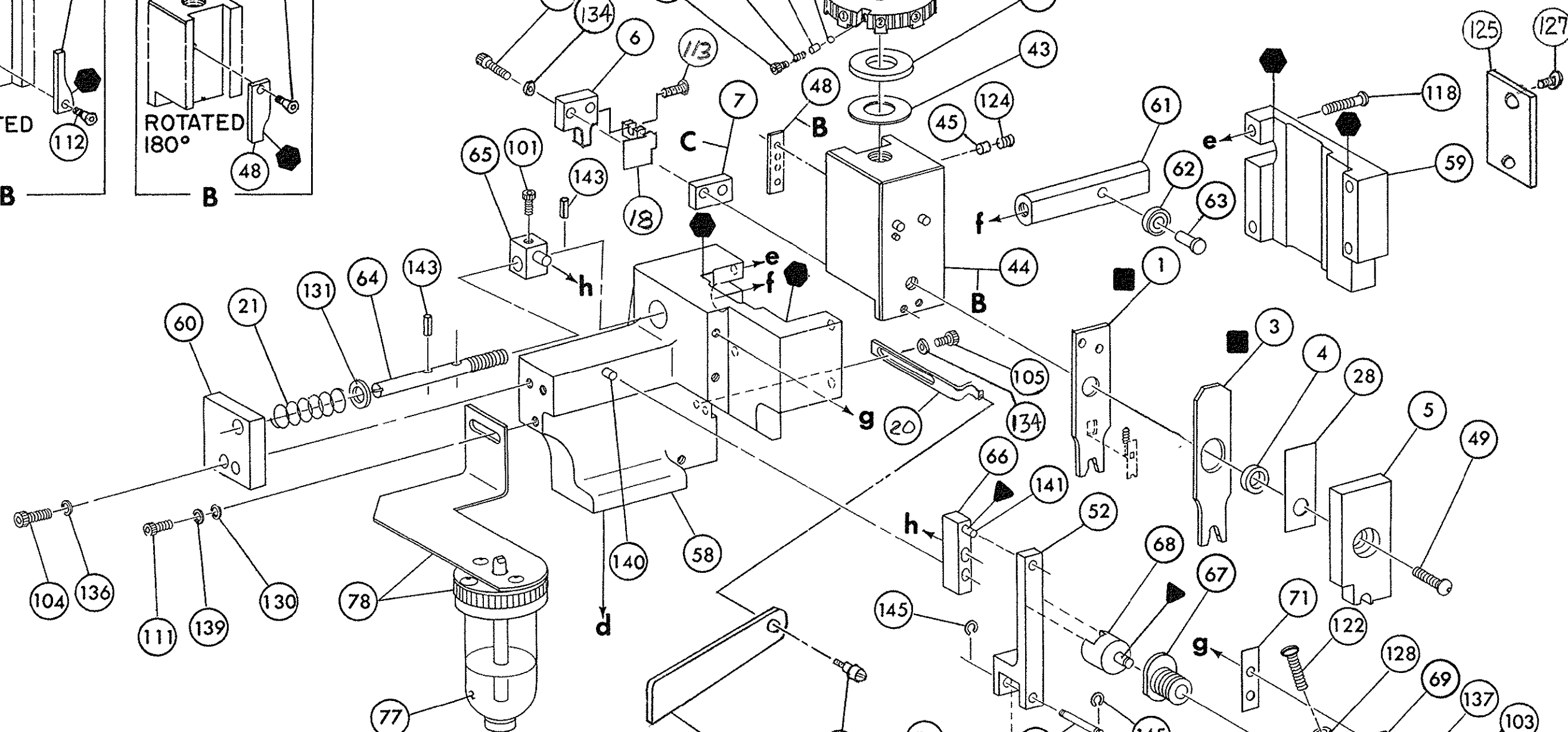
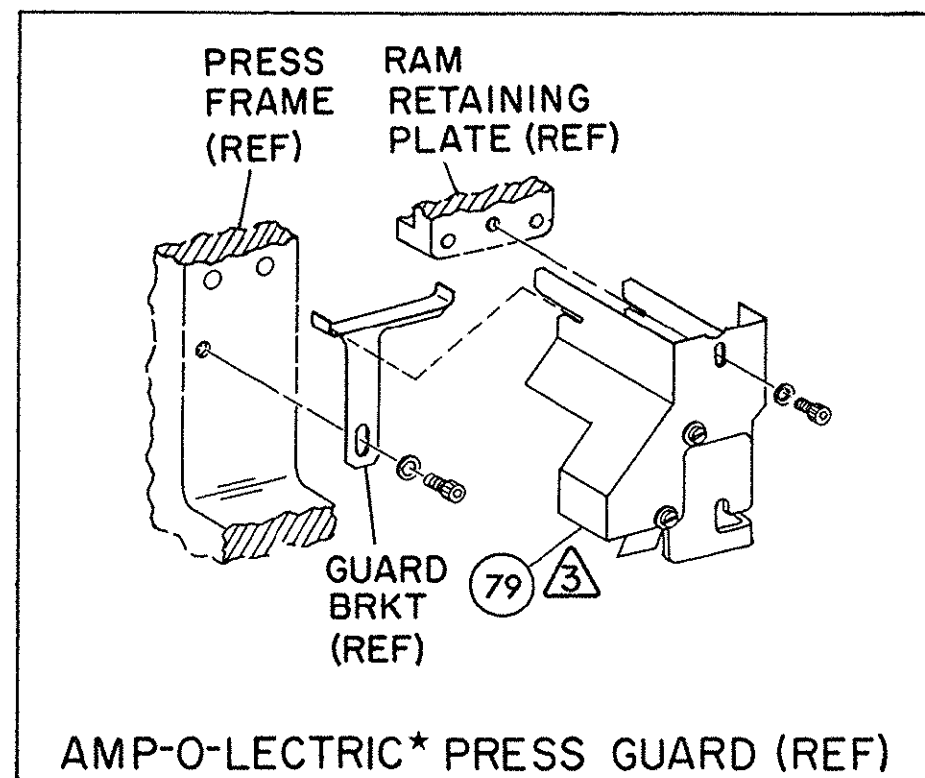
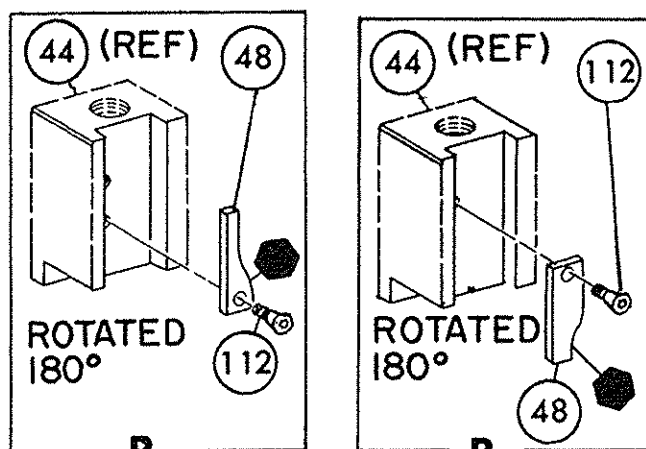


PRE-FEED  
1 1/8" STROKE



NOTES:

1- ONLY THE ITEMS WITH QUANTITIES SPECIFIED ON PARTS LIST ARE USED ON THIS APPLICATOR.

2- USED IN PLACE OF ITEM 38 WHEN INSULATION CRIMP IS NOT USED.

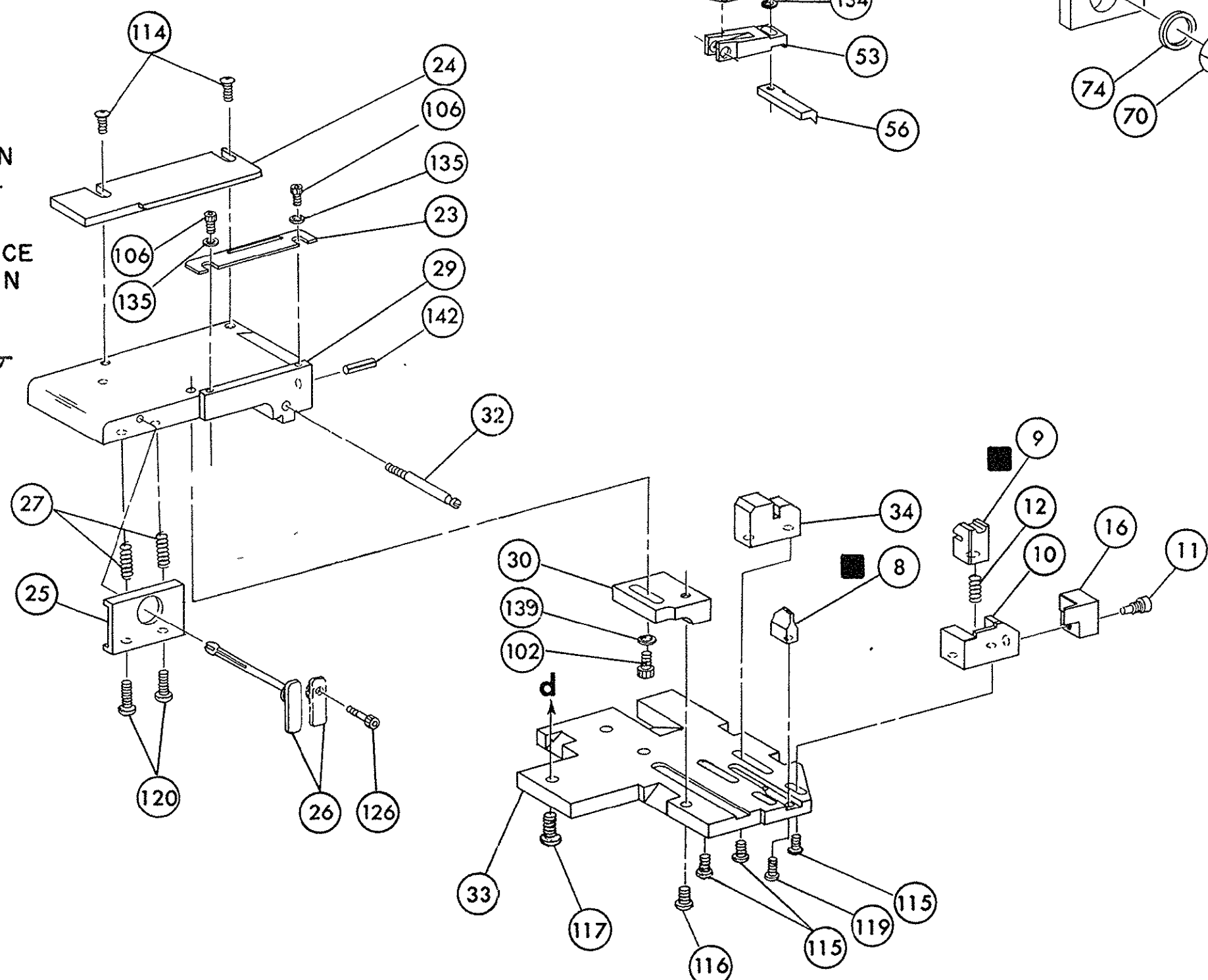
3- GUARD MUST BE IN PLACE WHEN OPERATING APPLICATOR IN AMP-O-LECTRIC PRESS.

4. ITEMS WITH QTY. OF REF SPECIFIED (EXCEPT ITEM 79) ARE USED

KEY: ON ITEM 46

5- RECOMMENDED SPARE PARTS

6- LUBRICATE DAILY USING NO. 20 MACHINE OIL.



| REF | 21045-3    | RING, RETAINING 'C' (.187 DIA) FEED FINGER PIN   | 145 | REF | 454220-1   | CAP, HOUSING                  | 59 |
|-----|------------|--|-----|-----|------------|-------------------------------|----|
| REF | 5-21028-1  | PIN, SLOT SPR (.125 DIA X .50) ADJ ROD           | 144 | REF | 454485-1   | HOUSING                       | 58 |
| 1   | 4-21028-0  | PIN, SLOT SPR (.093 DIA X .75) STR G PLATE       | 143 | REF | 690542-2   | PAWL, FEED                    | 57 |
| REF | 1-21030-1  | PIN, DOWEL (.187 DIA X .50) LEVER                | 142 | REF | 240624-1   | PIN, FEED FINGER              | 56 |
| REF | 1-21030-6  | PIN, DOWEL (.187 DIA X 1.25) HOUSING             | 141 | REF | 691499-1   | SPRING, FEED FINGER           | 55 |
| 2   | 21024-5    | WASHER, LOCK (NO 10) LUB ASSY                    | 140 | REF | 690541-1   | FINGER, FEED                  | 54 |
| 1   | 21024-5    | WASHER, LOCK (NO 10) STRIP GUIDE ADJ BLOCK       | 139 | REF | 455679-1   | LEVER, TERMINAL FEED ARM      | 53 |
| REF | 21024-5    | WASHER, LOCK (NO 10) ADJ PLATE                   | 138 |     |            | BUMPER, HOLDDOWN              | 52 |
| REF | 21024-5    | WASHER, LOCK (NO 10) FEED GUIDE ROD              | 137 |     |            | SPACER, TONKER                | 51 |
| 2   | 21024-2    | WASHER, LOCK (NO 4) FRONT STRIP GUIDE            | 136 | 1   | 7-21002-9  | BOLT, CRIMPER                 | 50 |
| 4   | 21024-4    | WASHER, LOCK (NO 8) FEED FINGER                  | 135 | 1   | 690602-5   | CAM PRE FEED 1/2 STROKE       | 49 |
| 2   | 21024-4    | WASHER, LOCK (NO 8) DEPRESSOR                    | 134 |     |            | DISC, INSULATION              | 48 |
| 1   | 21024-4    | WASHER, LOCK (NO 8) STRIPPER                     | 133 |     |            | DISC, WIRE                    | 47 |
| REF | 21899-4    | WASHER, FLAT (5/16 DIA) SCREW ADJ                | 132 | /   | 459456-1   | APPLICATOR, BASIC (SUB ASSY)  | 46 |
| 1   | 21899-2    | WASHER, FLAT (NO 10) LUB ASSY                    | 131 | 1   | 690191-1   | PLUG, NYLON                   | 45 |
| 1   | 21068-5    | NUT, HEX MACH (6-32) HOLDDOWN                    | 130 | 1   | 455673-1   | RAM                           | 44 |
| REF | 21068-5    | NUT, HEX MACH (6-32) FEED ADJ                    | 129 | 1   | 690125-1   | WASHER, LAMINATED             | 43 |
| 2   | 21017-2    | SCR, DRIVE #2 X .19                              | 128 | 1   | 690124-1   | WASHER, RAM                   | 42 |
| 1   | 22353-8    | SCR, SHLD. (.187 DIA X .250 LG) DRAG LEVER       | 127 |     |            | DISC, SPACER                  | 41 |
| 1   | 461264-1   | PLATE IDENTIFICATION                             | 126 | 2   | 23241-6    | BALL, STEEL                   | 40 |
| 1   | 21009-2    | SCR, SKT SET (1/4-20 X .25) (LOC-WEL) RAM        | 125 | 2   | 690170-1   | SPRING, COMPRESSION           | 39 |
| REF | 3-21064-2  | SCR, RD HD MACH (6-32 X 1.50) FEED ADJ           | 124 | 1   | 690142-4   | DISC, INSULATION              | 38 |
| 1   | 456567-1   | SCR, SHOULDER (4 X .19) STRIPPER                 | 123 | 1   | 5-690692-6 | DISC, WIRE                    | 37 |
| 2   | 3-21002-0  | SCR, BUT HD SKT CAP (10-32 X .88) DRAG           | 122 | 1   | 22480-5    | WASHER, SPRING                | 36 |
| 1   | 22733-8    | SCR, BUT HD SKT CAP (8-32 X .38) (LOC-WEL) ANVIL | 121 | 1   | 690212-1   | POST, RAM                     | 35 |
| REF | 2-21002-9  | SCR, BUT HD SKT CAP (10-32 X .75) CAP            | 120 | 1   | 455174-1   | BLOCK, SHEAR                  | 34 |
| REF | 2-22733-8  | SCR, BUT HD SKT CAP (1/4-20 X .75) HOUSING       | 119 | REF | 455675-1   | PLATE, BASE                   | 33 |
| REF | 2-21002-7  | SCR, BUT HD SKT CAP (10-32 X .50) SG ADJ BLOCK   | 118 | 1   | 690432-3   | SCREW, ADJUSTMENT             | 32 |
| 4   | 2-21002-2  | SCR, BUT HD SKT CAP (8-32 X .50) SHEAR           | 117 | REF | 455689-1   | BLOCK, STRIP GUIDE ADJ        | 31 |
| 2   | 2-21002-1  | SCR, BUT HD SKT CAP (8-32 X .38) R STRIP GUIDE   | 116 | 1   | 455671-5   | PLATE, STRIP GUIDE            | 29 |
| 2   | 1-21002-6  | SCR, BUT HD SKT CAP (6-32 X .25) HOLD D.         | 115 | 1   | 1-455888-8 | SPACER, FRONT SHEAR DEPRESSOR | 28 |
| 1   | 1-21002-7  | SCR, FLAT HD SKT CAP (6-32 X .50) CAM            | 114 | 2   | 1-22284-1  | SPRING, DRAG                  | 27 |
| 1   | 3-21000-4  | SCR, SKT HD CAP (10-32 X .38) LUBRICATOR ASSY    | 113 | 1   | 690546-1   | LEVER, DRAG RELEASE           | 26 |
| 2   | 23030-1    | SCR, SKT HD CAP (6-32 X .25) (LOC-WEL) CP DISC   | 112 | 1   | 240792-1   | DRAG, STOCK                   | 25 |
| 2   | 2-21000-9  | SCR, SKT HD CAP (8-32 X .75) DEPRESSOR           | 111 | 1   | 1-690504-7 | GUIDE STRIP (REAR)            | 24 |
| 1   | 2-22603-0  | SCR, HEX HD MACH (8-32 X .31) FEED FINGER        | 110 | 1   | 690438-1   | GUIDE, STRIP (FRONT)          | 23 |
| 2   | 1-21000-3  | SCR, SKT HD CAP (4-40 X .25) F STRIP GUIDE       | 109 |     |            |                               | 22 |
| 1   | 2-21000-7  | SCR, SKT HD CAP (8-32 X .50) STRIPPER            | 108 | REF | 4-22284-9  | SPRING, FEED RETURN           | 21 |
| REF | 3-21000-7  | SCR, SKT HD CAP (10-32 X .75) FEED ROD GUIDE     | 107 | 1   | 458950-1   | BRACKET, STRIPPER             | 20 |
| REF | 3-21000-6  | SCR, SKT HD CAP (10-32 X .62) FEED ADJ BLOCK     | 106 | 1   | 458949-1   | STRIPPER                      | 19 |
| 1   | 3-21000-4  | SCR, SKT HD CAP (10-32 X .38) SG ADJ BLOCK       | 105 | 1   | 456034-1   | HOLDER, TERMINAL              | 18 |
| REF | 455749-1   | GUARD (WINDOW)                                   | 104 |     |            | GUARD, CHIP (REAR)            | 17 |
| 1   | 1-465184-0 | LUBRICATOR ASSY                                  | 103 |     |            | GUARD, CHIP (FRONT)           | 16 |
| REF | 852931-2   | OIL, LUBRICATING                                 | 102 |     |            | PLATE, SHEAR (REAR)           | 15 |
| REF | 458109-1   | WASHER, SPECIAL                                  | 101 |     |            | HOLDER, SHEAR (REAR)          | 14 |
| 1   | 454877-3   | PLATE, STRIP GUIDE COVER                         | 79  |     |            | SHEAR, FLOAT (REAR)           | 13 |
| 2   | 690603-1   | SPRING, ASSIST                                   | 78  | 1   | 6-22279-3  | SPRING, SHEAR                 | 12 |
| REF | 690517-1   | SPACER   | 77  | 1   | 690461-5   | STOP, SHEAR                   | 11 |
| REF | 22594-8    | NUT, HEX   | 76  | 1   | 690459-2   | HOLDER, SHEAR (FRONT)         | 10 |
| REF | 240628-1   | PLATE, ADJUSTMENT                                | 75  | 1   | 690804-1   | SHEAR, FLOAT (FRONT)          | 9  |
| REF | 240626-1   | SHAFT, PIVOT                                     | 74  | 1   | 6-690512-0 | ANVIL                         | 8  |
| REF | 240633-1   | BUSHING  | 73  | 1   | 6-240641-4 | SPACER, DEPRESSOR (REAR)      | 7  |
| REF | 455680-1   | LEVER, INTERMEDIATE                              | 72  | 1   | 455175-1   | BLADE, REAR SHEAR             | 6  |
| REF | 240629-1   | BLOCK, PIVOT                                     | 71  | 1   | 458157-5   | DEPRESSOR, SHEAR (FRONT)      | 5  |
| REF | 240632-2   | SCREW, ADJUSTMENT FEED ROD                       | 70  | 1   | 238011-6   | SPACER, TUBULAR, INS CRIMPER  | 4  |
| REF | 240659-3   | PIN, CAM ROLLER                                  | 69  | 1   | 4-456135-1 | CRIMPER, INSULATION           | 3  |
| REF | 240658-1   | ROLLER, CAM                                      | 68  | 1   | 455888-1   | SPACER, CRIMPER               | 2  |
| REF | 454398-2   | ROD, FEED  | 67  | 1   | 1-456401-6 | CRIMPER, WIRE                 | 1  |
| REF | 454178-1   | GUIDE, FEED ROD                                  | 66  |     |            |                               |    |

| CRIMPING DATA |              |           |              | APPLICATOR WILL APPLY |       |
|---------------|--------------|-----------|--------------|-----------------------|-------|
| PAD LTR       | CRIMP HEIGHT | WIRE SIZE | STRIP LENGTH |                       |       |
| A             | .027 ±.002   | 26        | .110-.140    |                       | 88017 |
| B             | .024 ±.002   | 28 or 30  | .110-.140    |                       | 88048 |
| C             | .023 ±.001   | 32        | .110-.140    |                       | 88474 |
| D             | NOT USED     |           | .110-.140    |                       |       |

| CRIMP | SIZE | TYPE | FEED | APPL INST |
|-------|------|------|------|-----------|
| WIRE  | .042 | "F"  |      | A1 8040   |
| INSUL | .062 | "O"  | .330 |           |

WIRE RANGE: 26-32      INSULATION RANGE: .025-.048 DIA      PRESS NO: 565435-5

REMARKS: AMP-O-LECTRIC PRE FEED

INS. CRIMP HEIGHT .068 MAX.

I.D. PLATE (REF) 461264-1

|                                  |                |                |
|----------------------------------|----------------|----------------|
| REMARKS                          | NO             | REV            |
| TO APPLY TERMINAL SPEC 114-16003 |                |                |
| APPL USED ON MACHINE PART NO     | MACH SERIAL NO | DISTRIBUTION   |
| CUSTOMER NAME                    | APPL SERIAL NO | ORIGINAL       |
| ADDRESS                          | PURCHASE ORDER | CUSTOMER COPY  |
| CITY                             | ENG APP        | FIELD ENG COPY |

| REV | DESCRIPTION        | DATE     | BY  | CHK    | APP | DATE | BY                 | CHK      | APP      | DATE | BY | CHK | APP | DATE | BY | CHK | APP |
|-----|--------------------|----------|-----|--------|-----|------|--------------------|----------|----------|------|----|-----|-----|------|----|-----|-----|
| N   | 0150-6723-96       | 11-27-88 | UAC | 3/9/88 | VV  | F    | REV PER ECN R-4616 | 11-27-88 | 458627-1 | 268  |    |     |     |      |    |     |     |
| M   | 0150-6547-95       | 12-12-85 | DS  | 12-95  |     | E    | REV PER ECN R-2342 | 12-12-85 | 458627-1 | 268  |    |     |     |      |    |     |     |
| L   | ECN A-285891       | 11-77    |     |        |     | D    | REV PER ECN R-2272 | 11-77    | 458627-1 | 268  |    |     |     |      |    |     |     |
| K   | ECN A-272390       | 11-77    |     |        |     | C    | REV PER ECN R-1993 | 11-77    | 458627-1 | 268  |    |     |     |      |    |     |     |
| J   | ECN A158288        | 11-88    |     |        |     | B    | REV PER ECN R-1558 | 11-88    | 458627-1 | 268  |    |     |     |      |    |     |     |
| H   | ECN R-7476         | 11-88    |     |        |     | A    | REV PER ECN R-1372 | 11-88    | 458627-1 | 268  |    |     |     |      |    |     |     |
| G   | REV PER ECN R-5094 | 11-88    |     |        |     | OL   | REV PER ECN R-1776 | 11-88    | 458627-1 | 268  |    |     |     |      |    |     |     |

THIS DRAWING IS A CONTROLLED DOCUMENT.

DATE DRAWING IS UNCLASSIFIED BY: 00779 ON: 03/11/2010



LOC A D No 466242-1

MINIATURE QUICK CHANGE APPLICATOR SIDE FEED (CONTACT, PIN & SOCKET)