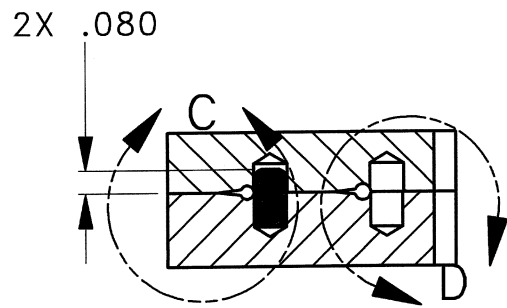
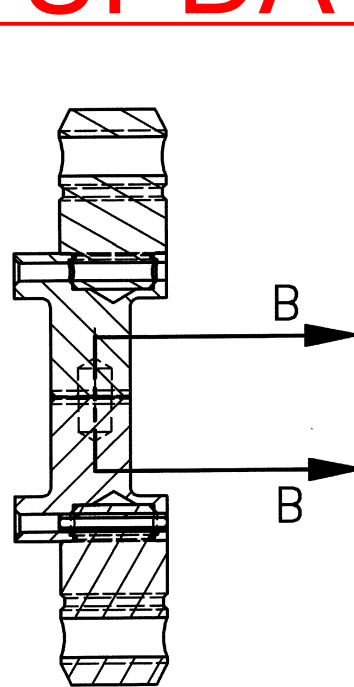


# UNCONTROLLED DOCUMENT WILL NOT BE UPDATED

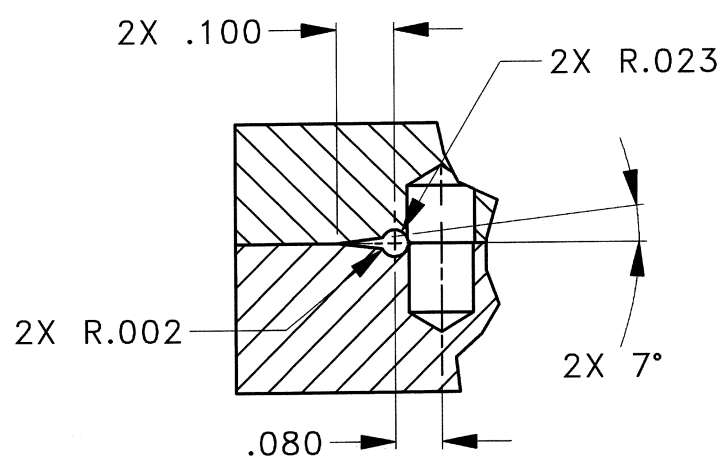
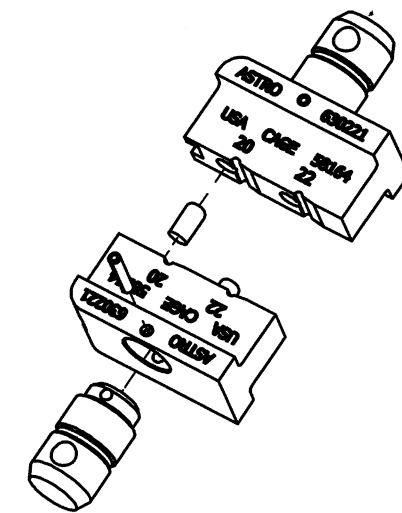
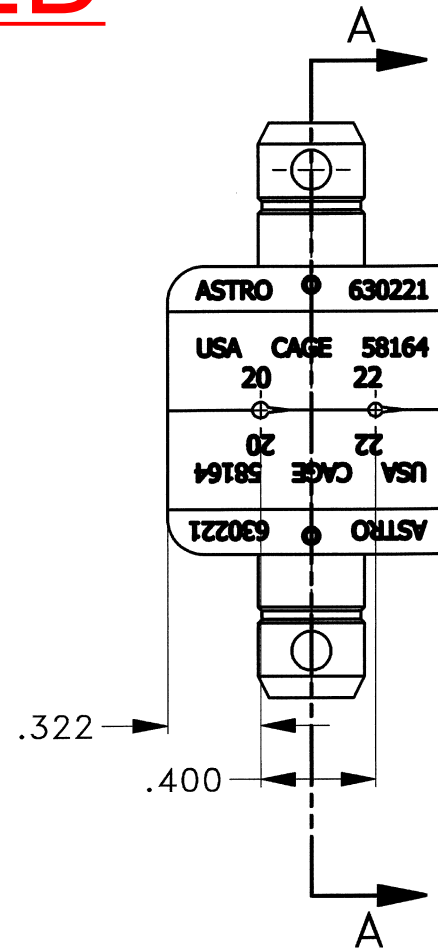
REVISIONS				
REV SYM	ECO NUMBER	DESCRIPTION	BY DATE	APP'D DATE
0		INITIAL RELEASE	MMK 2/24/10	DYO 2/24/10



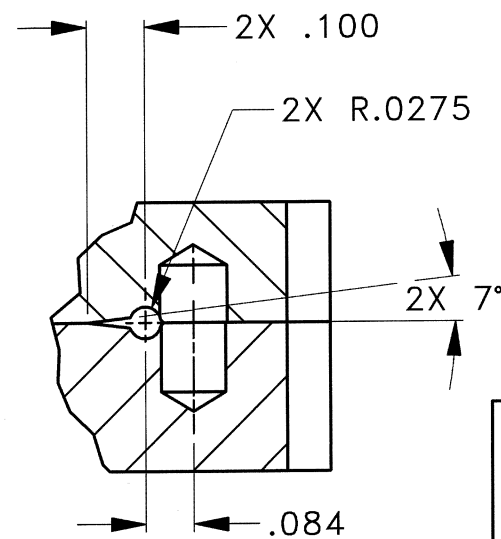
SECTION B-B  
SCALE 1.5



SECTION A-A  
SCALE 1.5:1



DETAIL C  
SCALE 3 : 1



DETAIL D  
SCALE 3 : 1

**NOTES:**

1. THIS IS AN ICAD DRAWING DO NOT CHANGE MANUALLY.
2. MADE FOR LIFE-TECH, REF PROJECT #914, TYPE 20 & 22 NEEDLES.

<p style="font-size: small;">THESE DRAWINGS, SPECIFICATIONS OR OTHER DATA ARE THE PROPERTY OF ASTRO TOOL CORP. AND MUST BE RETURNED UPON REQUEST. THEY CONTAIN INFORMATION OWNED AND/OR DEVELOPED BY ASTRO AT ITS OWN PRIVATE EXPENSE AND MAY NOT BE USED, DUPLICATED OR DISCLOSED TO OTHERS, IN WHOLE OR IN PART FOR DESIGN, MANUFACTURE, OR PROCUREMENT WITHOUT THE WRITTEN PERMISSION OF ASTRO TOOL CORP. EACH AND EVERY TIME.</p> <p style="font-weight: bold;">CREATED FROM AN INVENTOR MODEL. CHANGES MUST BE REFLECTED IN THE 3D PART</p> <p style="font-weight: bold;">DO NOT SCALE DRAWING</p>	MATERIAL	ITEM	PART NO.	QTY.	DESCRIPTION/REMARKS
	HEAT TREAT	DRN. <b>M.KANETOMI</b>	DATE 2/24/10	<p style="font-size: x-small; text-align: right;">CAGE 58164 21615 S.W. TUALATIN VALLEY HWY., BEAVERTON OR 97006</p>	
		CHK'D. <b>DYO</b>	DATE 2/24/10		
		APP'D.	DATE	<p style="font-weight: bold; font-size: large;">ENVELOPE DRAWING: 630221</p> <p style="font-weight: bold; font-size: large;">DIE SET FOR /5 FRAME</p>	
	APP'D.	DATE			
	FINISH <b>63</b> OR BETTER	TOLERANCE: UNLESS OTHERWISE SPECIFIED FRACTIONS ± 1/32 ANGLES ± 1' DECIMAL INCHES: .X ± .030 .XX ± .010 .XXX ± .005 .XXXX ± .0005 REMOVE BURRS AND BREAK SHARP EDGES .005-.015		WHERE USED:	
		SIZE	SCALE	CAD P/N	SHEET OF
		B	1.5:1	630221_env	1:1
		POSTING	P/N	630221-ENV	REV.
					0