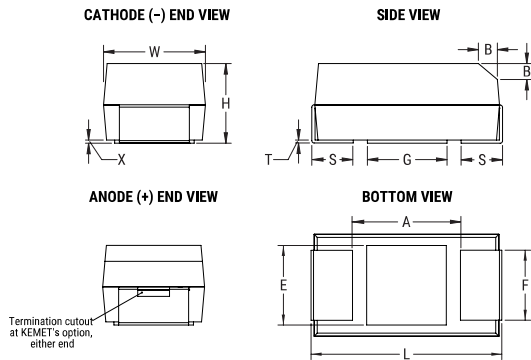


T490, Tantalum, MnO2 Tantalum, Consumer, 330 uF, 20%, 6.3 VDC, SMD, MnO2, Molded, Consumer, 800 mOhms, 3528, Height Max = 2.1mm



General Information	
Supplier:	KEMET
Series:	T490
Dielectric:	MnO2 Tantalum
Style:	SMD Chip
Description:	SMD, MnO2, Molded, Consumer
RoHS:	Yes
Termination:	Tin
Shelf Life:	156 Weeks
MSL:	1

Dimensions	
Footprint	3528
L	3.5mm +/-0.2mm
W	2.8mm +/-0.2mm
H	1.9mm +/-0.2mm
T	0.13mm REF
S	0.8mm +0.1/-0.3mm
F	2.2mm +/-0.1mm
A	1.9mm MIN
B	0.4mm +/-0.15mm
E	2.2mm REF
G	1.8mm REF
P	0.5mm REF
R	1mm REF
X	0.1mm +/-0.1mm

Specifications	
Capacitance:	330 uF
Capacitance Tolerance:	20%
Voltage DC:	6.3 VDC (40C), 3.15 VDC (85C), 1.26 VDC (125C)
Temperature Range:	-55/+125C
Rated Temperature:	40C
Failure Rate:	N/A
Resistance:	0.8 Ohms (100kHz)
Ripple Current:	326 mAmps (100kHz 25C), 293.4 mAmps (40C), 130.4 mAmps (125C)
Leakage Current:	19.8 uA (5min 20C)

Packaging Specifications	
Weight:	107.45 mg
Packaging:	T&R, 178mm
Packaging Quantity:	2000

Statements of suitability for certain applications are based on our knowledge of typical operating conditions for such applications, but are not intended to constitute - and we specifically disclaim - any warranty concerning suitability for a specific customer application or use. This Information is intended for use only by customers who have the requisite experience and capability to determine the correct products for their application. Any technical advice inferred from this Information or otherwise provided by us with reference to the use of our products is given gratis, and we assume no obligation or liability for the advice given or results obtained.