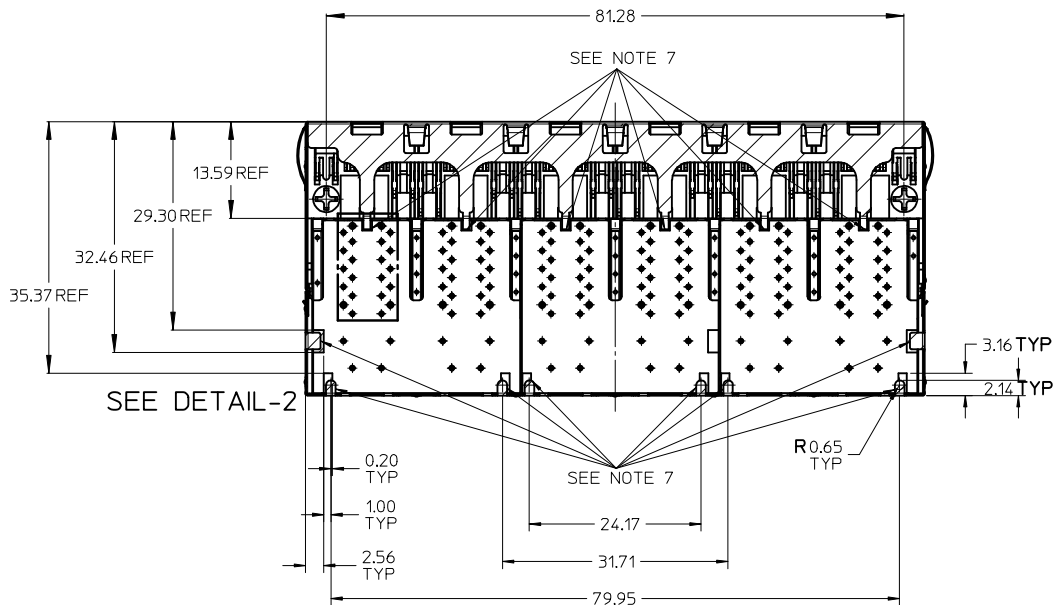
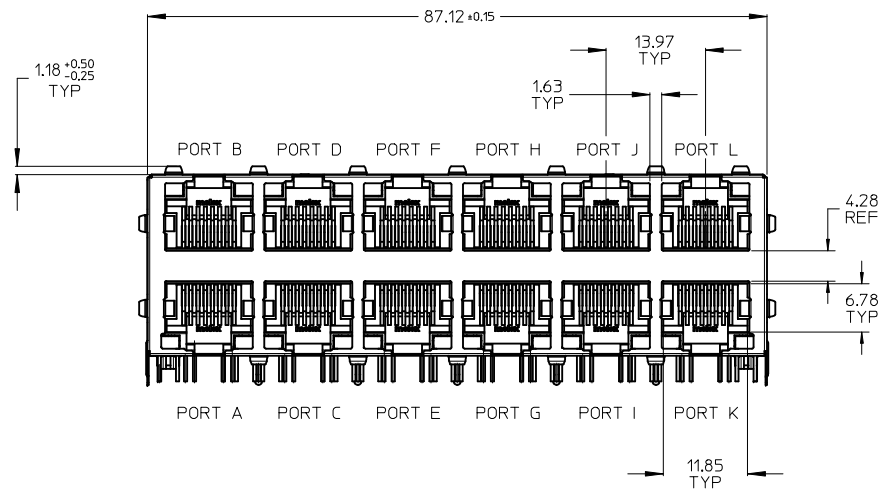
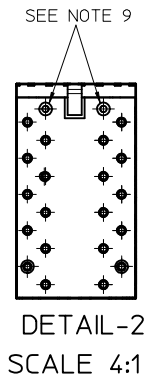
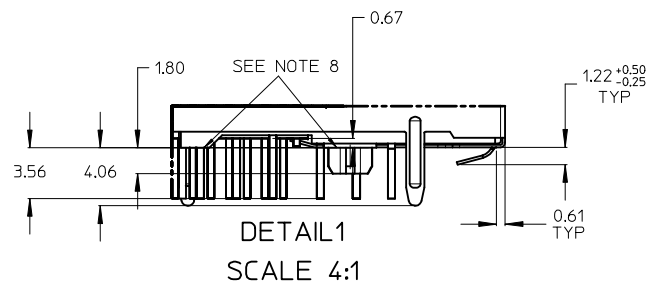
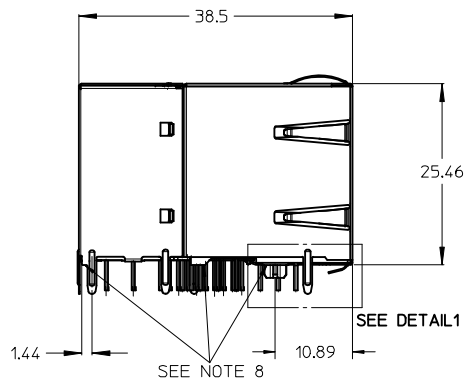
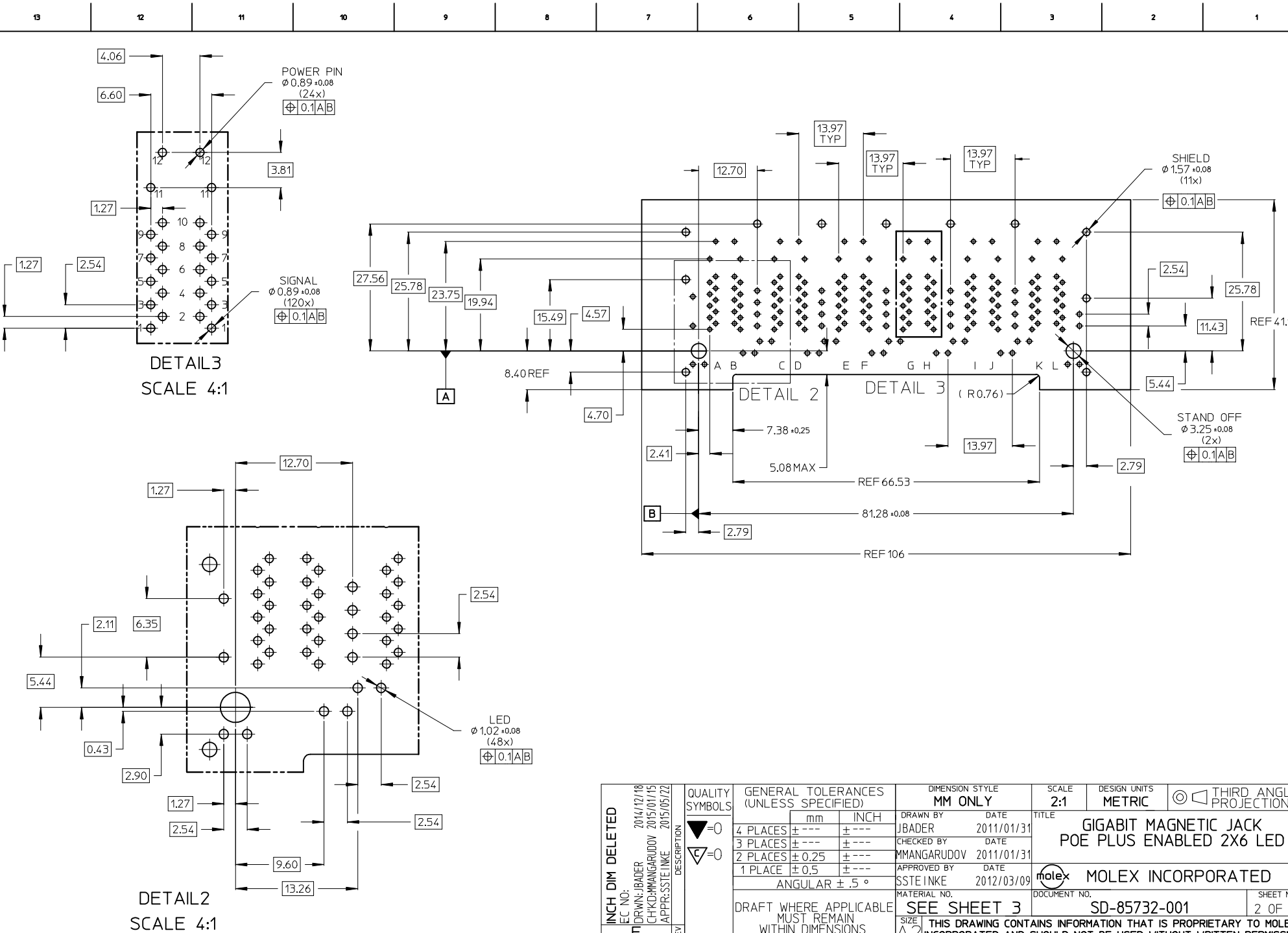


**GIGABIT 12 PORT MAGNETIC JACK WITH LED's  
AND INTEGRATED POWER OVER ETHERNET TRANSFORMERS  
ACCORDING TO IEEE802.3at FOR PSE APPLICATIONS**



- NOTES:**
- 1 - SHIELD MATERIAL: BRASS; PLATING: NICKEL PRE-PLATING
  - 2 - PLASTIC MATERIAL: POLYESTER (PBT) BLACK, 30%GR, UL 94 V-0
  - 3 - TERMINALS MATERIAL (RJ-45 CONTACTS): COPPER ALLOY  
-BASE FINISH: NICKEL  
-CONTACT SURFACE FINISH GOLD OR GOLD FLASH OVER PALLADIUM NICKEL  
EXCEEDS PRODUCT REQUIREMENTS BASED ON PS-85732-001
  - 4 - MATING INTERFACE ACCORDING TO IEC 60603-7
  - 5 - PRODUCT SPECIFICATION: PS-85732-001
  - 6 - PACKAGING SPECIFICATION: PK-85731-001
  - 7 - TRACES WITHOUT INSULATION NOT ALLOWED IN THE DASHED AREAS & LATCHES  
(TO AVOID SHORTS TO SHIELD)
  - 8 - STAND OFF TO SYSTEM BOARD
  - 9 - STUBBED PINS -> AVOID TO ROUTE TRACES OR TO PLACE ANY VIAS OR PADS BELOW THESE PINS
  - 10 - MISSING MAGNETICS AND LED INFORMATIONS SEE PS-85732-001

INCH DIM DELETED	EC NO:	2014/12/18	QUALITY SYMBOLS	GENERAL TOLERANCES (UNLESS SPECIFIED)		DIMENSION STYLE MM ONLY		SCALE 2:1	DESIGN UNITS METRIC	THIRD ANGLE PROJECTION
	DRWN: JBADER	2015/01/15	▽=0	mm	INCH	DRAWN BY	DATE	TITLE	GIGABIT MAGNETIC JACK POE PLUS ENABLED 2X6 LED	
	CHKD: MMANGARUDOV	2015/01/15	▽=0	4 PLACES ± --- ± ---	3 PLACES ± --- ± ---	2 PLACES ± 0.25 ± ---	1 PLACE ± 0.5 ± ---	ANGULAR ± .5 °		
	APPR: SSTE INKE	2015/05/22		DRAFT WHERE APPLICABLE MUST REMAIN WITHIN DIMENSIONS		APPROVED BY		DATE	MATERIAL NO.	
						SSTE INKE	2012/03/09	SD-85732-001	DOCUMENT NO.	
								SD-85732-001	SHEET NO. 1 OF 4	
								THIS DRAWING CONTAINS INFORMATION THAT IS PROPRIETARY TO MOLEX INCORPORATED AND SHOULD NOT BE USED WITHOUT WRITTEN PERMISSION		



DETAIL3  
SCALE 4:1

DETAIL 2

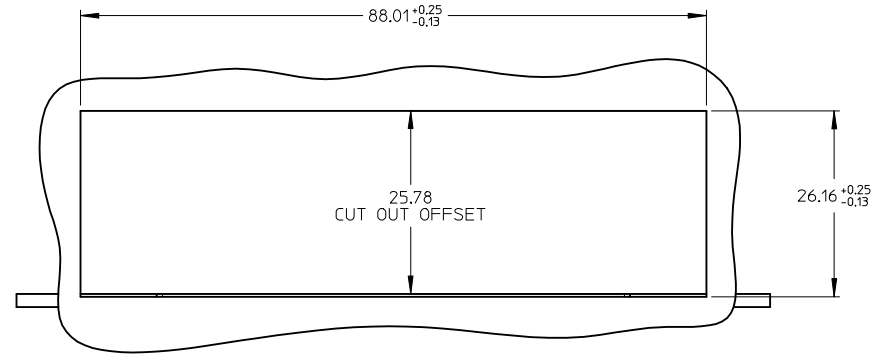
DETAIL 3 (R0.76)

DETAIL2  
SCALE 4:1

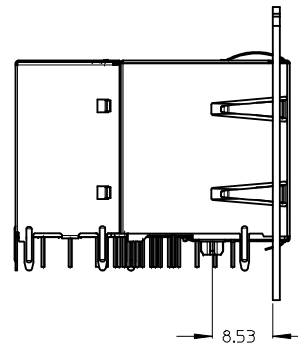
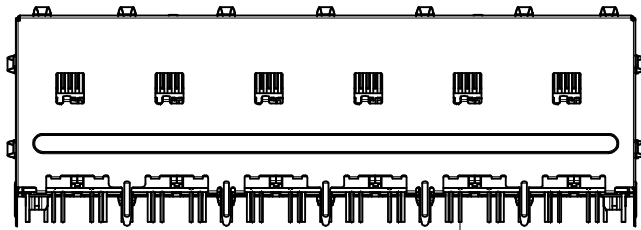
INCH DIM DELETED	EC NO: 2014/12/18 DRWN: JBADER CHKD: MMANGARUDOV 2015/01/15 APPR: SSTEINKE 2015/05/22	QUALITY SYMBOLS ▽=0 ▽=0	GENERAL TOLERANCES (UNLESS SPECIFIED)		DIMENSION STYLE MM ONLY		SCALE 2:1	DESIGN UNITS METRIC	THIRD ANGLE PROJECTION
REV	DESCRIPTION	4 PLACES ± --- ± --- 3 PLACES ± --- ± --- 2 PLACES ± 0.25 ± --- 1 PLACE ± 0.5 ± --- ANGULAR ± .5°	DRAWN BY JBADER		DATE 2011/01/31		TITLE GIGABIT MAGNETIC JACK POE PLUS ENABLED 2X6 LED		
			CHECKED BY MMANGARUDOV		DATE 2011/01/31		MATERIAL NO. SEE SHEET 3		
DRAFT WHERE APPLICABLE MUST REMAIN WITHIN DIMENSIONS		APPROVED BY SSTEINKE		DATE 2012/03/09		MATERIAL NO. SEE SHEET 3			SHEET NO. 2 OF 4
THIS DRAWING CONTAINS INFORMATION THAT IS PROPRIETARY TO MOLEX INCORPORATED AND SHOULD NOT BE USED WITHOUT WRITTEN PERMISSION									

PRINTING  
LED VERSION

P/N: 85732-XXXX  
S/N: YYMMDD-0M-CONSECUTIVE NUMBER

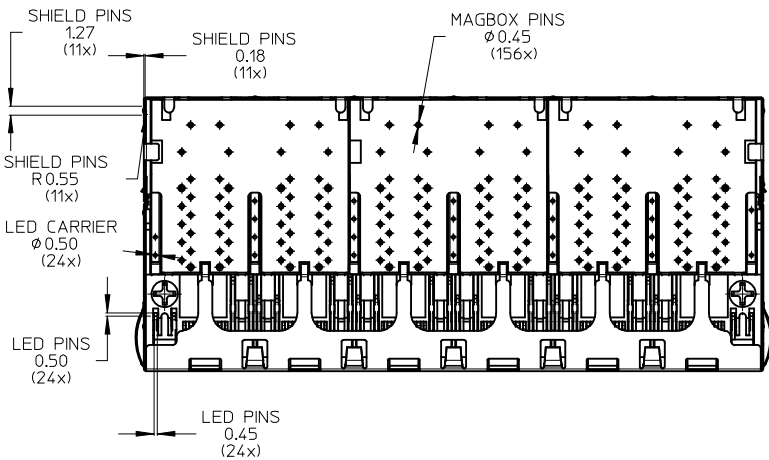


SUGGESTED PANEL CUT OUT



PART NUMBER	UPPER & LOWER LED LEFT		UPPER & LOWER LED RIGHT	
	COLOUR 1	COLOUR 2	COLOUR 1	COLOUR 2
85732-1001	GREEN	-	GREEN	-
85732-1002	GREEN	-	ORANGE	-
85732-1003	GREEN	-	GREEN	-
85732-1004	ORANGE	-	ORANGE	-
85732-1006	GREEN	-	YELLOW	-
85732-1007	GREEN	-	GREEN	-
85732-1008	GREEN	-	GREEN	-
85732-1012	YELLOW	-	GREEN	-
85732-1013	YELLOW	-	YELLOW	-
85732-1014	YELLOW	-	GREEN	-

ADDITIONAL LED COLOURS AND CONFIGURATIONS ARE AVAILABLE ON REQUEST

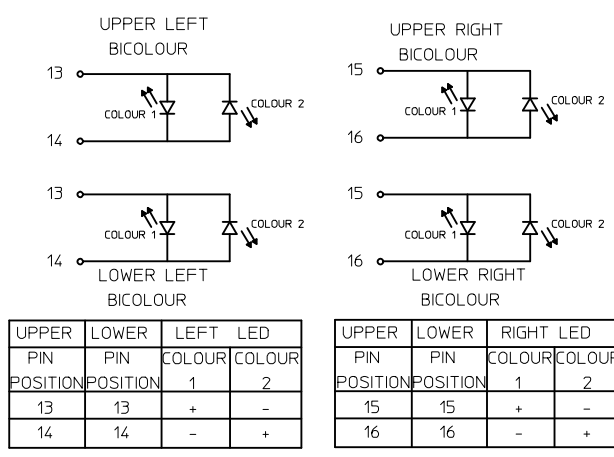
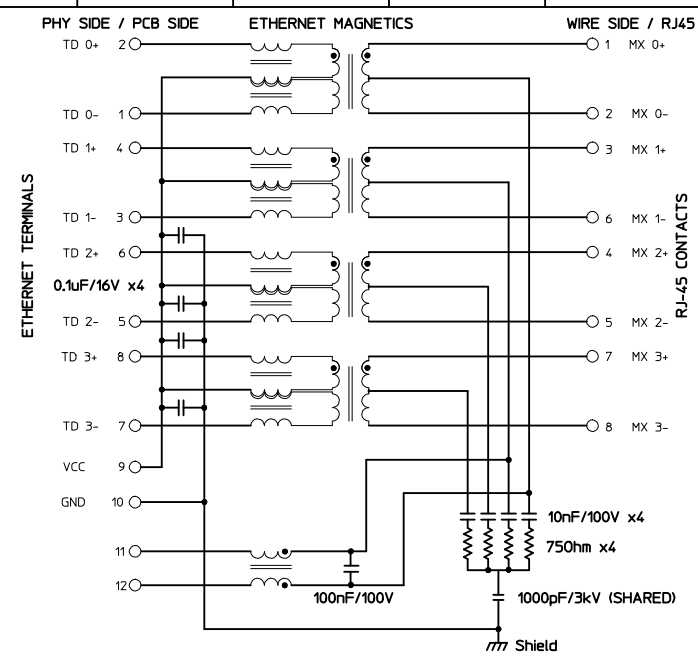
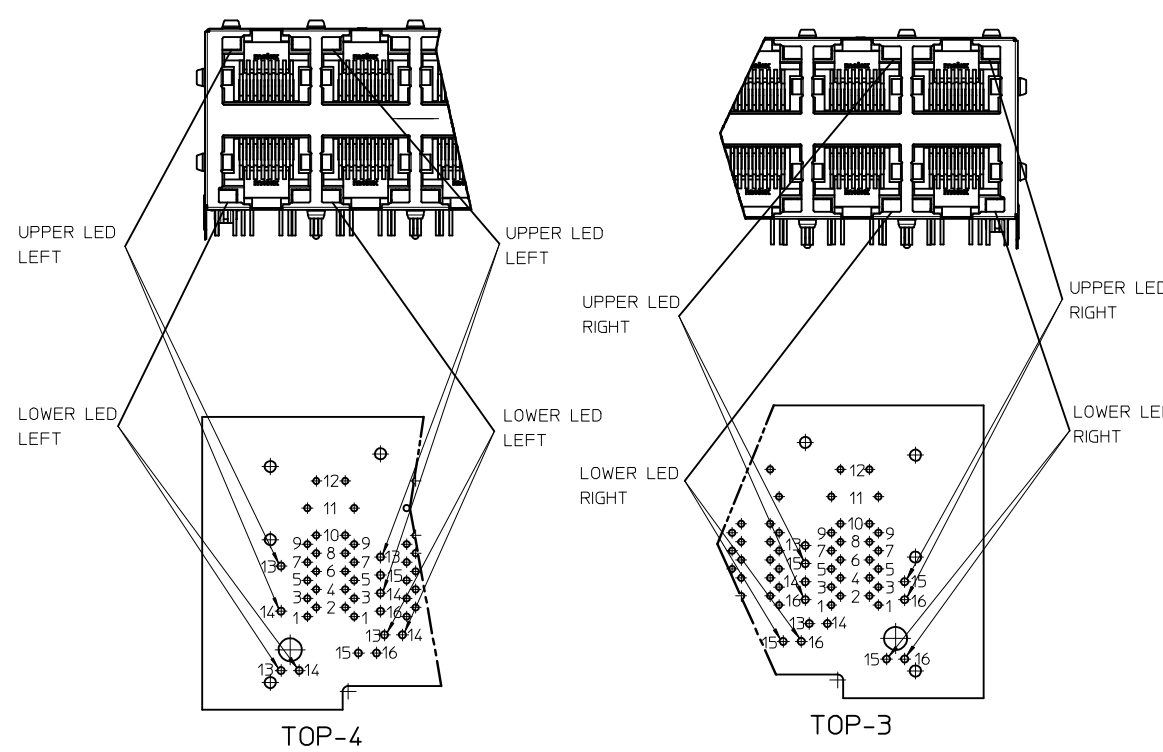


NOTES:

- 1 - PRINTING MARKED BY LASER
- 2 - INSCRIPTION:  
1st LINE: PART NUMBER  
2nd LINE: DATE CODE (YEAR, MONTH, DAY) - MANUFACTURER ID - CONSECUTIVE NUMBER
- 3 - UL LOGO

INCH DIM DELETED	EC NO: 2014/12/18	QUALITY SYMBOLS	GENERAL TOLERANCES (UNLESS SPECIFIED)		DIMENSION STYLE MM ONLY		SCALE 2:1	DESIGN UNITS METRIC	THIRD ANGLE PROJECTION
	DRWN: JBADER	▽=0	4 PLACES ± --- ± ---	mm	INCH	DRAWN BY JBADER	DATE 2011/01/31	TITLE GIGABIT MAGNETIC JACK POE PLUS ENABLED 2X6 LED	
	CHKD: MMANGARUDOV	▽=0	3 PLACES ± 0.25 ± ---			CHECKED BY MMANGARUDOV	DATE 2011/01/31		
	APPR: SSTE INKE	DESCRIPTION	1 PLACE ± 0.5 ± ---	ANGULAR ± .5 °		APPROVED BY SSTE INKE		DATE 2012/03/09	MATERIAL NO.
	REV	DRAFT WHERE APPLICABLE MUST REMAIN WITHIN DIMENSIONS			SEE BOM		DOCUMENT NO. SD-85732-001		SHEET NO. 3 OF 4

THIS DRAWING CONTAINS INFORMATION THAT IS PROPRIETARY TO MOLEX INCORPORATED AND SHOULD NOT BE USED WITHOUT WRITTEN PERMISSION



POWER-SUPPLY POLARITY DEFINITION  
TO ACHIEVE PoE POWER ASSIGNMENT  
ACCORDING IEEE 802.3at  
ALTERNATIVE A:

	MDI-X	MDI
PIN 11	Vc+	Vc-
PIN 12	Vc-	Vc+

PIN	ETHERNET MAGNETICS
10	GND
9	VCC
8	TD 3+
7	TD 3-
6	TD 2+
5	TD 2-
4	TD 1+
3	TD 1-
2	TD 0+
1	TD 0-
11	PWR 3-6
12	PWR 1-2

<p><b>NO CHANGE</b></p> <p>EC NO: 2014/12/18 DRAWN: JBADER CHKD: MMANGARUDOV 2015/01/15 APPR: SSTEINKE 2015/05/22</p>	<p>QUALITY SYMBOLS</p> <p>▽=0 ▽=0</p>	<p>GENERAL TOLERANCES (UNLESS SPECIFIED)</p> <table border="1"> <thead> <tr> <th></th> <th>mm</th> <th>INCH</th> </tr> </thead> <tbody> <tr><td>4 PLACES</td><td>± 0.15</td><td>± 0.006</td></tr> <tr><td>3 PLACES</td><td>± 0.20</td><td>± 0.008</td></tr> <tr><td>2 PLACES</td><td>± 0.25</td><td>± 0.010</td></tr> <tr><td>1 PLACE</td><td>± 0.5</td><td>± 0.020</td></tr> </tbody> </table> <p>ANGULAR ± .5°</p>			mm	INCH	4 PLACES	± 0.15	± 0.006	3 PLACES	± 0.20	± 0.008	2 PLACES	± 0.25	± 0.010	1 PLACE	± 0.5	± 0.020	<p>DIMENSION STYLE</p> <p><b>MM ONLY</b></p>	<p>SCALE</p> <p><b>2:1</b></p>	<p>DESIGN UNITS</p> <p><b>METRIC</b></p>	<p>THIRD ANGLE PROJECTION</p>
			mm	INCH																		
		4 PLACES	± 0.15	± 0.006																		
		3 PLACES	± 0.20	± 0.008																		
2 PLACES	± 0.25	± 0.010																				
1 PLACE	± 0.5	± 0.020																				
<p>DRAFT WHERE APPLICABLE MUST REMAIN WITHIN DIMENSIONS</p>		<p>DRAWN BY: JBADER DATE: 2011/01/31</p> <p>CHECKED BY: MMANGARUDOV DATE: 2011/01/31</p> <p>APPROVED BY: SSTEINKE DATE: 2012/03/09</p>	<p>TITLE</p> <p><b>GIGABIT MAGNETIC JACK POE PLUS ENABLED 2X6 LED</b></p>																			
<p>MATERIAL NO.</p> <p><b>SEE SHEET 3</b></p>		<p>MATERIAL NO. <b>SD-85732-001</b></p>																				
<p>SIZE</p> <p><b>A2</b></p>		<p>THIS DRAWING CONTAINS INFORMATION THAT IS PROPRIETARY TO MOLEX INCORPORATED AND SHOULD NOT BE USED WITHOUT WRITTEN PERMISSION</p>																				